

L050 - 1/2" (13 mm) WIDE BELTS

Catalogue Code	Pulley Designation	No. of Teeth	Pitch Dia.	Outside Dia.	Bush No.	Max Bore		Pulley Type	Mat	A	F	J	K	L	M	N
						Met.	Inch									
135F1014	14L050	14	42.45	41.68	pilot bore	19	3/8	1F	ST	49	19	-	-	30	11.0	32
135F1015	15L050	15	45.48	44.72	pilot bore	22	1/2	1F	ST	52	19	-	-	30	11.0	35
135F1016	16L050	16	48.51	47.75	pilot bore	25	1	1F	ST	56	19	-	-	30	11.0	38
135F1017	17L050	17	51.54	50.78	pilot bore	25	1	1F	ST	57	19	-	-	30	11.0	38
13561018	18L050	18	54.57	53.81	1108	28	1 1/8	3F	ST	60	19	-	3.0	22	-	45
13561019	19L050	19	57.61	56.84	1108	28	1 1/8	3F	ST	64	19	-	3.0	22	-	45
13561020	20L050	20	60.64	59.88	1108	28	1 1/8	3F	ST	67	19	-	3.0	22	-	50
13561021	21L050	21	63.67	62.91	1108	28	1 1/8	3F	ST	70	19	-	3.0	22	-	50
13561022	22L050	22	66.70	65.94	1108	28	1 1/8	3F	ST	75	19	-	3.0	22	-	50
13561023	23L050	23	69.73	68.97	1108	28	1 1/8	3F	ST	79	19	-	3.0	22	-	55
13561024	24L050	24	72.77	72.00	1108	28	1 1/8	3F	ST	79	19	-	3.0	22	-	55
13561025	25L050	25	75.80	75.04	1108	28	1 1/8	3F	ST	83	19	-	3.0	22	-	55
13561026	26L050	26	78.83	78.07	1108	28	1 1/8	3F	ST	86	19	-	3.0	22	-	60
13561027	27L050	27	81.86	81.10	1108	28	1 1/8	3F	ST	86	19	-	3.0	22	-	60
13561028	28L050	28	84.89	84.13	1108	28	1 1/8	3F	ST	91	19	-	3.0	22	-	65
13561030	30L050	30	90.96	90.20	1108	28	1 1/8	3F	ST	98	19	-	3.0	22	-	70
13561032	32L050	32	97.02	96.26	1108	28	1 1/8	3F	ST	103	19	-	3.0	22	-	75
13561036	36L050	36	109.15	108.39	1108	28	1 1/8	3F	ST	115	19	-	3.0	22	-	85
13561040	40L050	40	121.28	120.51	1610	42	1 1/2	3F*	ST	128	19	-	3.0	25	-	90
13561048	48L050	48	145.53	144.77	1610	42	1 1/2	3F*	ST	151	19	120	6.0	25	-	90
13561060	60L050	60	181.91	181.15	1610	42	1 1/2	9	ST	-	19	165	3.0	25	3.0	90
13561072	72L050	72	218.30	217.53	1610	42	1 1/2	9	CI	-	19	202	3.0	25	3.0	90
13561084	84L050	84	254.68	253.92	1610	42	1 1/2	9	CI	-	19	238	3.0	25	3.0	90
13561096	96L050	96	291.06	290.30	2012	50	2	9	CI	-	19	275	6.5	32	6.5	110
13561120	120L050	120	363.83	363.07	2012	50	2	9	CI	-	19	344	6.5	32	6.5	110

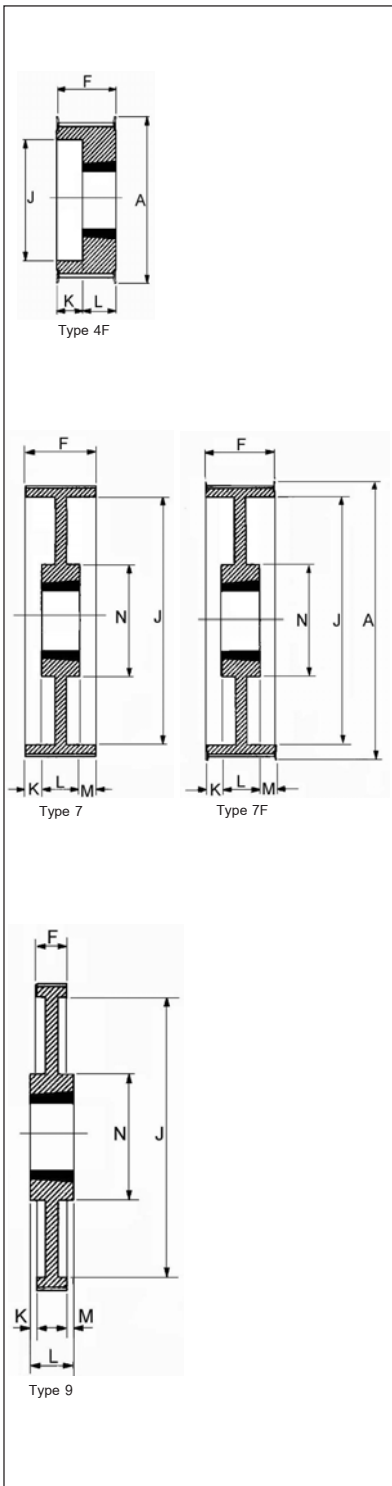
L075 - 3/4" (19 mm) WIDE BELTS

Catalogue Code	Pulley Designation	No. of Teeth	Pitch Dia.	Outside Dia.	Bush No.	Max Bore		Pulley Type	Mat	A	F	J	K	L	M	N
						Met.	Inch									
135F2014	14L075	14	42.45	41.68	pilot bore	19	3/8	1F	ST	49	25	-	-	37	12.0	32
135F2015	15L075	15	45.48	44.72	pilot bore	22	1/2	1F	ST	52	25	-	-	37	12.0	35
135F2016	16L075	16	48.51	47.75	pilot bore	25	1	1F	ST	56	25	-	-	37	12.0	38
135F2017	17L075	17	51.54	50.78	pilot bore	25	1	1F	ST	57	25	-	-	37	12.0	38
13562018	18L075	18	54.57	53.81	1108	28	1 1/8	2F	ST	60	25	-	3.0	22	-	-
13562019	19L075	19	57.61	56.84	1108	28	1 1/8	2F	ST	64	25	-	3.0	22	-	-
13562020	20L075	20	60.64	59.88	1108	28	1 1/8	2F	ST	67	25	-	3.0	22	-	-
13562021	21L075	21	63.67	62.91	1108	28	1 1/8	2F	ST	70	25	-	3.0	22	-	-
13562022	22L075	22	66.70	65.94	1108	28	1 1/8	2F	ST	75	25	-	3.0	22	-	-
13562023	23L075	23	69.73	68.97	1108	28	1 1/8	2F	ST	79	25	-	3.0	22	-	-
13562024	24L075	24	72.77	72.00	1108	28	1 1/8	2F	ST	79	25	-	3.0	22	-	-
13562025	25L075	25	75.80	75.04	1108	28	1 1/8	2F	ST	83	25	-	3.0	22	-	-
13562026	26L075	26	78.83	78.07	1108	28	1 1/8	2F	ST	86	25	-	3.0	22	-	-
13562027	27L075	27	81.86	81.10	1108	28	1 1/8	2F	ST	86	25	-	3.0	22	-	-
13562028	28L075	28	84.89	84.13	1108	28	1 1/8	2F	ST	91	25	-	3.0	22	-	-
13562030	30L075	30	90.96	90.20	1108	28	1 1/8	2F	ST	98	25	-	3.0	22	-	-
13562032	32L075	32	97.02	96.26	1108	28	1 1/8	2F	ST	103	25	-	3.0	22	-	-
13562036	36L075	36	109.15	108.39	1610	42	1 1/2	2F	ST	115	25	-	0.0	25	-	-
13562040	40L075	40	121.28	120.51	1610	42	1 1/2	2F	ST	128	25	-	0.0	25	-	-
13562048	48L075	48	145.53	144.77	1610	42	1 1/2	3F*	ST	151	25	120	-	25	-	90
13562060	60L075	60	181.91	181.15	1610	42	1 1/2	7	ST	-	25	166	0.0	25	0.0	90
13562072	72L075	72	218.30	217.53	1610	42	1 1/2	7*	CI	-	25	202	0.0	25	0.0	90
13562084	84L075	84	254.68	253.92	2012	50	2	9	CI	-	25	236	3.5	32	3.5	110
13562096	96L075	96	291.06	290.30	2012	50	2	9	CI	-	25	270	3.5	32	3.5	110
13562120	120L075	120	363.83	363.07	2012	50	2	9	CI	-	25	343	3.5	32	3.5	110

L100 - 1" (25 mm) WIDE BELTS

Catalogue Code	Pulley Designation	No. of Teeth	Pitch Dia.	Outside Dia.	Bush No.	Max Bore		Pulley Type	Mat	A	F	J	K	L	M	N
						Met.	Inch									
135F3014	14L100	14	42.45	41.68	pilot bore	19	3/8	1F	ST	49	32	-	-	43	11.0	32
135F3015	15L100	15	45.48	44.72	pilot bore	22	1/2	1F	ST	52	32	-	-	43	11.0	35
135F3016	16L100	16	48.51	47.75	pilot bore	25	1	1F	ST	56	32	-	-	43	11.0	38
135F3017	17L100	17	51.54	50.78	pilot bore	25	1	1F	ST	57	32	-	-	43	11.0	38
13563018	18L100	18	54.57	53.81	1108	28	1 1/8	4F	ST	60	32	38	9.0	22	-	-
13563019	19L100	19	57.61	56.84	1108	28	1 1/8	4F	ST	64	32	38	9.0	22	-	-
13563020	20L100	20	60.64	59.88	1108	28	1 1/8	4F	ST	67	32	45	9.0	22	-	-
13563021	21L100	21	63.67	62.91	1108	28	1 1/8	4F	ST	70	32	45	9.0	22	-	-
13563022	22L100	22	66.70	65.94	1108	28	1 1/8	4F	ST	75	32	48	9.0	22	-	-
13563023	23L100	23	69.73	68.97	1108	28	1 1/8	4F	ST	79	32	52	10.0	22	-	-
13563024	24L100	24	72.77	72.00	1108	28	1 1/8	4F	ST	79	32	52	10.0	22	-	-
13563025	25L100	25	75.80	75.04	1108	28	1 1/8	4F	ST	83	32	54	10.0	22	-	-
13563026	26L100	26	78.83	78.07	1108	28	1 1/8	4F	ST	86	32	60	10.0	22	-	-
13563027	27L100	27	81.86	81.10	1108	28	1 1/8	4F	ST	86	32	60	10.0	22	-	-
13563028	28L100	28	84.89	84.13	1108	28	1 1/8	4F	ST	91	32	65	10.0	22	-	-
13563030	30L100	30	90.96	90.20	1210	32	1 1/4	4F	ST	98	32	71	7.0	25	-	-
13563032	32L100	32	97.02	96.26	1210	32	1 1/4	4F	ST	103	32	75	7.0	25	-	-
13563036	36L100	36	109.15	108.39	1610	42	1 1/2	4F	ST	115	32	86	7.0	25	-	-
13563040	40L100	40	121.28	120.51	1610	42	1 1/2	7F	ST	128	32	96	7.0	25	0.0	90
13563048	48L100	48	145.53	144.77	1610	42	1 1/2	7F	ST	151	32	110	7.0	25	0.0	90
13563060	60L100	60	181.91	181.15	1610	42	1 1/2	7	ST	-	32	166	3.5	25	3.5	90
13563072	72L100	72	218.30	217.53	2012	50	2	9	CI	-	32	202	0.0	32	0.0	110
13563084	84L100	84	254.68	253.92	2012	50	2	9	CI	-	32	236	0.0	32	0.0	110
13563096	96L100	96	291.06	290.30	2012	50	2	9	CI	-	32	270	0.0	32	0.0	110
13563120	120L100	120	363.83	363.07	2012	50	2	9	CI	-	32	343	0.0	32	0.0	110

Dimensions in millimetres unless otherwise stated.
 * These pulleys are recessed to a plate centre under rim diameter J.
 # These pulleys have spokes instead of plate web centres.
 Prime functional dimensions are correct at the time of publication.
 Pulley types and non-functional dimensions may vary.



H100 - 3/4" (19mm) AND 1" (WIDE BELTS)

Catalogue Code	Pulley Designation	No. of Teeth	Pitch Dia.	Outside Dia.	Bush No.	Max Bore		Pulley Type	Mat	A	F	J	K	L	M	N
						Met.	Inch									
13573016	16H100	16	64.68	63.31	1108	28	1 1/4	4F	ST	70	32	45	10.0	22	-	-
13573018	18H100	18	72.77	71.39	1210	32	1 1/4	4F	ST	79	32	52	7.0	25	-	-
13573019	19H100	19	76.81	75.44	1210	32	1 1/4	4F	ST	83	32	56	7.0	25	-	-
13573020	20H100	20	80.95	79.48	1210	32	1 1/4	4F	ST	87	32	60	7.0	25	-	-
13573021	21H100	21	84.89	83.52	1210	32	1 1/4	4F	ST	91	32	64	7.0	25	-	-
13573022	22H100	22	88.94	87.56	1210	32	1 1/4	4F	ST	95	32	67	7.0	25	-	-
13573023	23H100	23	92.98	91.61	1610	42	1 1/4	4F	ST	98	32	70	7.0	25	-	-
13573024	24H100	24	97.02	95.65	1610	42	1 1/4	4F	ST	103	32	74	7.0	25	-	-
13573025	25H100	25	101.06	99.69	1610	42	1 1/4	4F	ST	106	32	77	7.0	25	-	-
13573026	26H100	26	105.11	103.73	1610	42	1 1/4	4F	ST	112	32	82	7.0	25	-	-
13573027	27H100	27	109.15	107.78	1610	42	1 1/4	4F	ST	115	32	85	7.0	25	-	-
13573028	28H100	28	113.19	111.82	1610	42	1 1/4	4F	ST	120	32	90	7.0	25	-	-
13573030	30H100	30	121.28	119.90	1610	42	1 1/4	4F	ST	128	32	98	7.0	25	-	-
13573032	32H100	32	129.36	127.99	1610	42	1 1/4	7F	ST	135	32	106	7.0	25	-	-
13573036	36H100	36	145.53	144.16	1610	42	1 1/4	7F	ST	151	32	121	7.0	25	-	80
13573040	40H100	40	161.70	160.33	1610	42	1 1/4	7F	ST	168	32	138	7.0	25	-	90
13573048	48H100	48	194.04	192.67	2012	50	2	7F	ST	200	32	152	0.0	32	0.0	110
13573060	60H100	60	242.55	241.18	2012	50	2	7	CI	-	34	169	1.0	32	0.0	110
13573072	72H100	72	291.06	289.69	2012	50	2	9a	CI	-	34	270	1.0	32	0.0	110
13573084	84H100	84	339.57	338.20	2012	50	2	9a	CI	-	34	318	1.0	32	0.0	110
13573096	96H100	96	388.08	386.71	2517	60	2 1/2	7a	CI	-	34	366	5.5	45	5.5	125
13573120	120H100	120	485.10	483.73	2517	60	2 1/2	7a	CI	-	34	462	5.5	45	5.5	125
13573156	156H100	156	630.64	629.26	2517	60	2 1/2	7a	CI	-	34	606	5.5	45	5.5	125

H150 - 1 1/2" (38mm) AND 1" (WIDE BELTS)

Catalogue Code	Pulley Designation	No. of Teeth	Pitch Dia.	Outside Dia.	Bush No.	Max Bore		Pulley Type	Mat	A	F	J	K	L	M	N
						Met.	Inch									
13574018	18H150	18	72.77	71.39	1210	32	1 1/4	4F	ST	79	45	52	20.0	25	-	-
13574019	19H150	19	76.81	75.44	1210	32	1 1/4	4F	ST	83	45	56	20.0	25	-	-
13574020	20H150	20	80.85	79.48	1210	32	1 1/4	4F	ST	87	45	60	20.0	25	-	-
13574021	21H150	21	84.89	83.52	1210	32	1 1/4	4F	ST	91	45	64	20.0	25	-	-
13574022	22H150	22	88.94	87.56	1210	32	1 1/4	4F	ST	95	45	67	20.0	25	-	-
13574023	23H150	23	92.98	91.61	1610	42	1 1/4	4F	ST	98	45	70	20.0	25	-	-
13574024	24H150	24	97.02	95.65	1610	42	1 1/4	4F	ST	103	45	74	20.0	25	-	-
13574025	25H150	25	101.06	99.69	1610	42	1 1/4	4F	ST	106	45	77	20.0	25	-	-
13574026	26H150	26	105.11	103.73	1610	42	1 1/4	4F	ST	112	45	82	20.0	25	-	-
13574027	27H150	27	109.15	107.78	1610	42	1 1/4	4F	ST	115	45	85	20.0	25	-	-
13574028	28H150	28	113.19	111.82	1610	42	1 1/4	4F	ST	120	45	91	20.0	25	-	-
13574030	30H150	30	121.28	119.90	1610	42	1 1/4	4F	ST	128	45	98	20.0	25	-	-
13574032	32H150	32	129.36	127.99	1610	42	1 1/4	7F	ST	135	45	106	20.0	25	-	80
13574036	36H150	36	145.53	144.16	1610	42	1 1/4	7F	ST	151	45	121	20.0	25	-	90
13574040	40H150	40	161.70	160.33	1610	42	1 1/4	7F	ST	168	45	138	20.0	25	-	90
13574048	48H150	48	194.04	192.67	2012	50	2	7F	ST	200	45	169	13.0	32	0.0	110
13574060	60H150	60	242.55	241.18	2012	50	2	7a	CI	-	46	223	7.0	32	7.0	110
13574072	72H150	72	291.06	289.69	2012	50	2	7a	CI	-	46	270	7.0	32	7.0	110
13574084	84H150	84	339.57	338.20	2012	50	2	7a	CI	-	46	320	7.0	32	7.0	110
13574096	96H150	96	388.08	386.71	2517	60	2 1/2	7a	CI	-	46	366	5.5	45	5.5	125
13574120	120H150	120	485.10	483.73	2517	60	2 1/2	7a	CI	-	46	462	5.5	45	5.5	125
13574156	156H150	156	630.64	629.26	2517	60	2 1/2	7a	CI	-	46	606	5.5	45	5.5	125

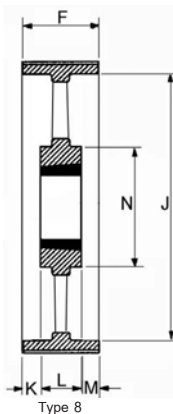
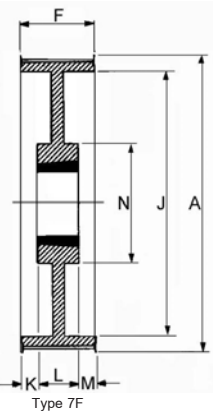
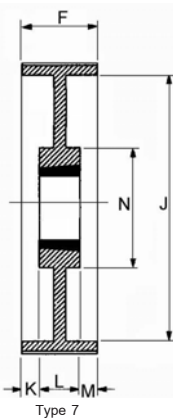
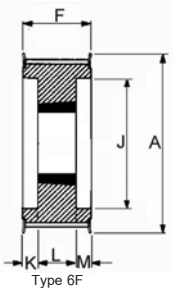
H200 - 2" (51mm) AND 1" (WIDE BELTS)

Catalogue Code	Pulley Designation	No. of Teeth	Pitch Dia.	Outside Dia.	Bush No.	Max Bore		Pulley Type	Mat	A	F	J	K	L	M	N
						Met.	Inch									
13575018	18H200	18	72.77	71.39	1210	32	1 1/4	4F	ST	79	58	52	33.0	25	-	-
13575019	19H200	19	76.81	75.44	1210	32	1 1/4	4F	ST	83	58	56	33.0	25	-	-
13575020	20H200	20	80.85	79.48	1610	42	1 1/4	4F	ST	87	58	60	33.0	25	-	-
13575021	21H200	21	84.89	83.52	1610	42	1 1/4	4F	ST	91	58	64	33.0	25	-	-
13575022	22H200	22	88.94	87.56	1610	42	1 1/4	4F	ST	95	58	67	33.0	25	-	-
13575023	23H200	23	92.98	91.61	1610	42	1 1/4	4F	ST	98	58	70	33.0	25	-	-
13575024	24H200	24	97.02	95.65	1610	42	1 1/4	4F	ST	103	58	74	33.0	25	-	-
13575025	25H200	25	101.06	99.69	1610	42	1 1/4	4F	ST	106	58	77	33.0	25	-	-
13575026	26H200	26	105.11	103.73	1610	42	1 1/4	4F	ST	112	58	82	33.0	25	-	-
13575027	27H200	27	109.15	107.78	1610	42	1 1/4	4F	ST	115	58	85	33.0	25	-	-
13575028	28H200	28	113.19	111.82	1610	42	1 1/4	4F	ST	120	58	91	33.0	25	-	-
13575030	30H200	30	121.28	119.90	1610	42	1 1/4	4F	ST	128	58	98	33.0	25	-	-
13575032	32H200	32	129.36	127.99	2012	50	2	4F	ST	135	58	106	26.0	32	-	-
13575036	36H200	36	145.53	144.16	2012	50	2	7F	ST	151	58	121	26.0	32	-	100
13575040	40H200	40	161.70	160.33	2012	50	2	7F	ST	168	58	138	26.0	32	-	110
13575048	48H200	48	194.04	192.67	2517	60	2 1/2	7F	ST	200	58	169	13.0	45	0.0	125
13575060	60H200	60	242.55	241.18	2517	60	2 1/2	7a	CI	-	60	223	7.5	45	7.5	125
13575072	72H200	72	291.06	289.69	2517	60	2 1/2	7a	CI	-	60	270	7.5	45	7.5	125
13575084	84H200	84	339.57	338.20	2517	60	2 1/2	7a	CI	-	60	320	7.5	45	7.5	125
13575096	96H200	96	388.08	386.71	2517	60	2 1/2	7a	CI	-	60	366	7.5	45	7.5	125
13575120	120H200	120	485.10	483.73	2517	60	2 1/2	7a	CI	-	60	462	7.5	45	7.5	125
13575156	156H200	156	630.64	629.26	3020	75	3	7	CI	-	60	606	4.5	51	4.5	170

Dimensions in millimetres unless otherwise stated. # These pulleys have spokes instead of plate web centres. Prime functional dimensions are correct at the time of publication. Pulley types and non-functional dimensions may vary.

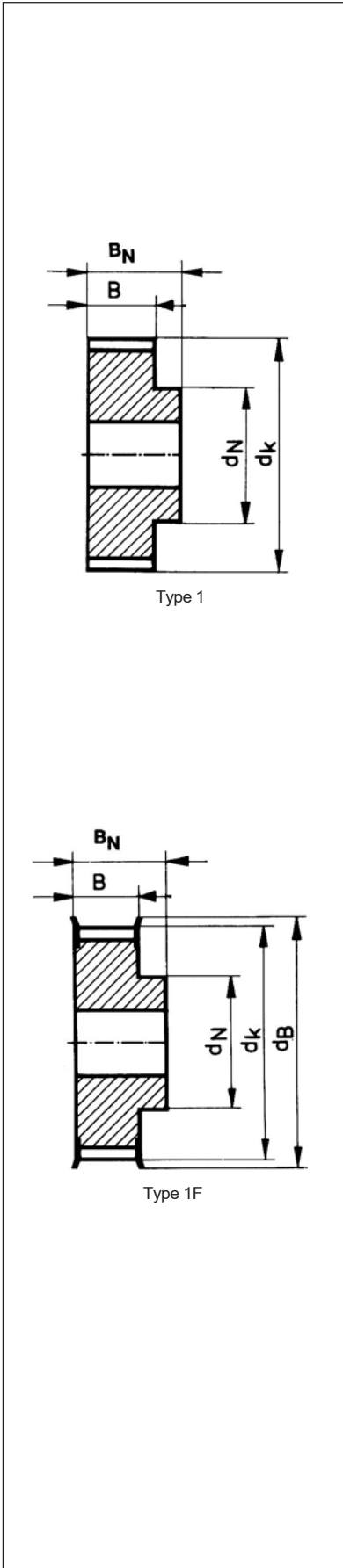
14M PULLEYS (115 mm WIDE BELTS)

Catalogue Code	Pulley Designation	No. of Teeth	Pitch Dia.	Outside Dia.	Bush No.	Max Bore		Pulley Type	Mat	A	F	J	K	L	M	N
						Met.	Inch									
13549028	28-14M-115	28	124.78	122.120	2517	60	2 1/2	6F	ST	128	133	98	44	45	44	-
13549029	29-14M-115	29	129.23	126.570	2517	60	2 1/2	6F	ST	138	133	100	44	45	44	-
13549030	30-14M-115	30	133.69	130.990	2517	60	2 1/2	6F	ST	138	133	100	44	45	44	-
13549032	32-14M-115	32	142.60	139.880	2517	60	2 1/2	6F	ST	154	133	108	44	45	44	-
13549034	34-14M-115	34	151.52	146.790	2517	60	2 1/2	6F	ST	160	133	110	44	45	44	-
13549036	36-14M-115	36	160.43	157.680	3020	75	3	6F	ST	168	133	120	41	51	41	-
13549038	38-14M-115	38	169.34	166.600	3020	75	3	6F	ST	183	133	130	41	51	41	-
13549040	40-14M-115	40	178.25	175.490	3020	75	3	6F	ST	188	133	138	41	51	41	-
13549044	44-14M-115	44	196.08	193.280	3030	75	3	6F	ST	211	133	155	28.5	76	28.5	-
13549048	48-14M-115	48	213.90	211.110	3030	75	3	6F	ST	226	133	170	28.5	76	28.5	-
13549056	56-14M-115	56	249.55	246.760	3535	90	3 1/2	6F	ST	256	133	208	22	89	22	-
13549064	64-14M-115	64	285.21	282.410	3535	90	3 1/2	7F	CI	296	133	242	22	89	22	195
13549072	72-14M-115	72	320.86	318.060	3535	90	3 1/2	7	CI	-	133	280	22	89	22	195
13549080	80-14M-115	80	356.51	353.710	3535	90	3 1/2	8	CI	-	133	315	22	89	22	195
13549090	90-14M-115	90	401.07	398.280	3535	90	3 1/2	8	CI	-	133	360	22	89	22	195
13549112	112-14M-115	112	499.11	496.320	3535	90	3 1/2	8	CI	-	133	457	22	89	22	195
13549144	144-14M-115	144	641.71	638.920	4040	100	4	8	CI	-	133	600	15.5	102	15.5	230
13549168	168-14M-115	168	748.66	745.870	4040	100	4	8	CI	-	133	706	15.5	102	15.5	230
13549192	192-14M-115	192	855.62	852.820	4040	100	4	8	CI	-	133	813	15.5	102	15.5	230
13549216	216-14M-115	216	962.57	959.760	4040	100	4	8	CI	-	133	920	15.5	102	15.5	230



14M PULLEYS (170 mm WIDE BELTS)

Catalogue Code	Pulley Designation	No. of Teeth	Pitch Dia.	Outside Dia.	Bush No.	Max Bore		Pulley Type	Mat	A	F	J	K	L	M	N
						Met.	Inch									
1354A038	38-14M-170	38	169.34	166.600	3030	75	3	6F	ST	183	187	130	55.5	76	55.5	-
1354A040	40-14M-170	40	178.25	175.490	3030	75	3	6F	ST	188	187	140	55.5	76	55.5	-
1354A044	44-14M-170	44	196.08	193.280	3535	90	3 1/2	6F	ST	211	187	155	49	89	49	-
1354A048	48-14M-170	48	213.90	211.110	3535	90	3 1/2	6F	ST	226	187	175	49	89	49	-
1354A056	56-14M-170	56	249.55	246.890	3535	90	3 1/2	6F	ST	256	187	210	49	89	49	-
1354A064	64-14M-170	64	285.21	282.410	4040	100	4	6F	CI	296	187	240	42.5	102	42.5	-
1354A072	72-14M-170	72	320.86	318.060	4040	100	4	7	CI	-	187	280	42.5	102	42.5	230
1354A080	80-14M-170	80	356.51	353.710	4040	100	4	7	CI	-	187	315	42.5	102	42.5	230
1354A090	90-14M-170	90	401.07	398.280	4040	100	4	8	CI	-	187	360	42.5	102	42.5	230
1354A112	112-14M-170	112	499.11	496.320	5050	125	5	8	CI	-	187	456	30	127	30	265
1354A144	144-14M-170	144	641.71	638.920	5050	125	5	8	CI	-	187	600	30	127	30	265
1354A168	168-14M-170	168	748.66	745.870	5050	125	5	8	CI	-	187	706	30	127	30	265
1354A192	192-14M-170	192	855.62	852.820	5050	125	5	8	CI	-	187	813	30	127	30	265
1354A216	216-14M-170	216	962.57	959.127	5050	125	5	8	CI	-	187	920	30	127	30	265



T5 - 10 mm WIDE BELTS

Catalogue Code	Pulley Designation	Z	Pitch Dia d_p	d_k	Bore Pilot	Type	Mat	d_B	B	B_N	d_N
135N5010	21T5/10-2	10	16.05	15.05	4	1F	AL	20	15	21	11
135N5012	21T5/12-2	12	19.25	18.25	4	1F	AL	23	15	21	11
135N5014	21T5/14-2	14	22.45	21.45	6	1F	AL	26	15	21	14
135N5015	21T5/15-2	15	24.05	23.05	6	1F	AL	28	15	21	16
135N5016	21T5/16-2	16	25.60	24.60	6	1F	AL	30	15	21	18
135N5018	21T5/18-2	18	28.80	27.80	6	1F	AL	33	15	21	20
135N5019	21T5/19-2	19	30.40	29.40	6	1F	AL	34	15	21	22
135N5020	21T5/20-2	20	32.00	31.00	6	1F	AL	36	15	21	23
135N5022	21T5/22-2	22	35.15	34.15	6	1F	AL	38	15	21	24
135N5024	21T5/24-2	24	38.35	37.35	6	1F	AL	42	15	21	26
135N5025	21T5/25-2	25	39.95	38.95	6	1F	AL	43	15	21	26
135N5026	21T5/26-2	26	41.60	40.60	6	1F	AL	44	15	21	26
135N5027	21T5/27-2	27	43.15	42.15	8	1F	AL	47	15	21	30
135N5028	21T5/28-2	28	44.75	43.75	8	1F	AL	48	15	21	32
135N5030	21T5/30-2	30	47.95	46.95	8	1F	AL	51	15	21	34
135N5032	21T5/32-2	32	51.10	50.10	8	1F	AL	55	15	21	38
135N5036	21T5/36-2	36	57.45	56.45	8	1F	AL	61	15	21	38
135N5040	21T5/40-2	40	63.85	62.85	8	1F	AL	67	15	21	40
135N5042	21T5/42-2	42	67.00	66.00	8	1F	AL	71	15	21	40
135N5044	21T5/44-0	44	70.20	69.20	8	1	AL	-	15	21	45
135N5048	21T5/48-0	48	76.55	75.55	8	1	AL	-	15	21	50
135N5060	21T5/60-0	60	95.65	94.65	8	1	AL	-	15	21	65

T5 - 16 mm WIDE BELTS

Catalogue Code	Pulley Designation	Z	Pitch Dia d_p	d_k	Bore Pilot	Type	Mat	d_B	B	B_N	d_N
135N6010	27T5/10-2	10	16.05	15.05	4	1F	AL	20	21	27	11
135N6012	27T5/12-2	12	19.25	18.25	4	1F	AL	23	21	27	11
135N6014	27T5/14-2	14	22.45	21.45	6	1F	AL	26	21	27	14
135N6015	27T5/15-2	15	24.05	23.05	6	1F	AL	28	21	27	16
135N6016	27T5/16-2	16	25.60	24.60	6	1F	AL	30	21	27	18
135N6018	27T5/18-2	18	28.80	27.80	6	1F	AL	33	21	27	20
135N6019	27T5/19-2	19	30.40	29.40	6	1F	AL	34	21	27	22
135N6020	27T5/20-2	20	32.00	31.00	6	1F	AL	36	21	27	23
135N6022	27T5/22-2	22	35.15	34.15	6	1F	AL	38	21	27	24
135N6024	27T5/24-2	24	38.35	37.35	6	1F	AL	42	21	27	26
135N6025	27T5/25-2	25	39.95	38.95	6	1F	AL	43	21	27	26
135N6026	27T5/26-2	26	41.60	40.60	6	1F	AL	44	21	27	26
135N6027	27T5/27-2	27	43.15	42.15	8	1F	AL	47	21	27	30
135N6028	27T5/28-2	28	44.75	43.75	8	1F	AL	48	21	27	32
135N6030	27T5/30-2	30	47.95	46.95	8	1F	AL	51	21	27	34
135N6032	27T5/32-2	32	51.10	50.10	8	1F	AL	55	21	27	38
135N6036	27T5/36-2	36	57.45	56.45	8	1F	AL	61	21	27	38
135N6040	27T5/40-2	40	63.85	62.85	8	1F	AL	67	21	27	40
135N6042	27T5/42-2	42	67.00	66.00	8	1F	AL	71	21	27	40
135N6044	27T5/44-0	44	70.20	69.20	8	1	AL	-	21	27	45
135N6048	27T5/48-0	48	76.55	75.55	8	1	AL	-	21	27	50
135N6060	27T5/60-0	60	95.65	94.65	8	1	AL	-	21	27	65

T5 - 25 mm WIDE BELTS

Catalogue Code	Pulley Designation	Z	Pitch Dia d_p	d_k	Bore Pilot	Type	Mat	d_B	B	B_N	d_N
135N7010	36T5/10-2	10	16.05	15.05	4	1F	AL	20	30	36	8
135N7012	36T5/12-2	12	19.25	18.25	4	1F	AL	23	30	36	11
135N7014	36T5/14-2	14	22.45	21.45	6	1F	AL	26	30	36	14
135N7015	36T5/15-2	15	24.05	23.05	6	1F	AL	28	30	36	16
135N7016	36T5/16-2	16	25.60	24.60	6	1F	AL	30	30	36	18
135N7018	36T5/18-2	18	28.80	27.80	6	1F	AL	33	30	36	20
135N7019	36T5/19-2	19	30.40	29.40	6	1F	AL	34	30	36	22
135N7020	36T5/20-2	20	32.00	31.00	6	1F	AL	36	30	36	23
135N7022	36T5/22-2	22	35.15	34.15	6	1F	AL	38	30	36	24
135N7024	36T5/24-2	24	38.35	37.35	6	1F	AL	42	30	36	26
135N7025	36T5/25-2	25	39.95	38.95	6	1F	AL	43	30	36	26
135N7026	36T5/26-2	26	41.60	40.60	6	1F	AL	44	30	36	26
135N7027	36T5/27-2	27	43.15	42.15	8	1F	AL	47	30	36	30
135N7028	36T5/28-2	28	44.75	43.75	8	1F	AL	48	30	36	32
135N7030	36T5/30-2	30	47.95	46.95	8	1F	AL	51	30	36	34
135N7032	36T5/32-2	32	51.10	50.10	8	1F	AL	55	30	36	38
135N7036	36T5/36-2	36	57.45	56.45	8	1F	AL	61	30	36	38
135N7040	36T5/40-0	40	63.85	62.85	8	1F	AL	67	30	36	40
135N7042	36T5/42-0	42	67.00	66.00	8	1F	AL	71	30	36	40
135N7044	36T5/44-0	44	70.20	69.20	8	1	AL	-	30	36	45
135N7048	36T5/48-0	48	76.55	75.55	8	1	AL	-	30	36	50
135N7060	36T5/60-0	60	95.65	94.65	8	1	AL	-	30	36	65

T10 - 16 mm WIDE BELTS

Catalogue Code	Pulley Designation	Z	Pitch Dia d_p	d_k	Bore Pilot	Type	Mat	d_B	B	B_N	d_N
135N8012	31T10/12-2	12	38.35	36.35	6	1F	AL	42	21	31	28
135N8014	31T10/14-2	14	44.70	42.70	8	1F	AL	48	21	31	32
135N8015	31T10/15-2	15	47.90	45.90	8	1F	AL	51	21	31	32
135N8016	31T10/16-2	16	51.10	49.10	8	1F	AL	55	21	31	35
135N8018	31T10/18-2	18	57.45	55.45	8	1F	AL	61	21	31	40
135N8019	31T10/19-2	19	60.65	58.65	8	1F	AL	64	21	31	44
135N8020	31T10/20-2	20	63.80	61.80	8	1F	AL	67	21	31	46
135N8022	31T10/22-2	22	70.20	68.20	8	1F	AL	75	21	31	52
135N8024	31T10/24-2	24	76.55	74.55	8	1F	AL	80	21	31	58
135N8025	31T10/25-2	25	79.75	77.75	8	1F	AL	82	21	31	60
135N8026	31T10/26-2	26	82.90	80.90	8	1F	AL	87	21	31	60
135N8027	31T10/27-2	27	86.10	84.10	8	1F	AL	90	21	31	60
135N8028	31T10/28-2	28	89.25	87.25	8	1F	AL	93	21	31	60
135N8030	31T10/30-2	30	95.65	93.65	8	1F	AL	99	21	31	60
135N8032	31T10/32-2	32	102.00	100.00	10	1F	AL	105	21	31	65
135N8036	31T10/36-2	36	114.75	112.75	10	1F	AL	118	21	31	70
135N8040	31T10/40-2	40	127.45	125.45	10	1F	AL	131	21	31	80
135N8044	31T10/44-0	44	140.20	138.20	10	1	AL	-	21	31	88
135N8048	31T10/48-0	48	152.95	150.95	16	1	AL	-	21	31	95
135N8060	31T10/60-0	60	191.15	189.15	16	1	AL	-	21	31	110

T10 - 25 mm WIDE BELTS

Catalogue Code	Pulley Designation	Z	Pitch Dia d_p	d_k	Bore Pilot	Type	Mat	d_B	B	B_N	d_N
135N9012	40T10/12-2	12	38.35	36.35	6	1F	AL	42	30	40	28
135N9014	40T10/14-2	14	44.70	42.70	8	1F	AL	48	30	40	32
135N9015	40T10/15-2	15	47.90	45.90	8	1F	AL	51	30	40	32
135N9016	40T10/16-2	16	51.10	49.10	8	1F	AL	55	30	40	35
135N9018	40T10/18-2	18	57.45	55.45	8	1F	AL	61	30	40	40
135N9019	40T10/19-2	19	60.65	58.65	8	1F	AL	64	30	40	44
135N9020	40T10/20-2	20	63.80	61.80	8	1F	AL	67	30	40	46
135N9022	40T10/22-2	22	70.20	68.20	8	1F	AL	75	30	40	52
135N9024	40T10/24-2	24	76.55	74.55	8	1F	AL	80	30	40	58
135N9025	40T10/25-2	25	79.75	77.75	8	1F	AL	82	30	40	60
135N9026	40T10/26-2	26	82.90	80.90	8	1F	AL	87	30	40	60
135N9027	40T10/27-2	27	86.10	84.10	8	1F	AL	90	30	40	60
135N9028	40T10/28-2	28	89.25	87.25	8	1F	AL	93	30	40	60
135N9030	40T10/30-2	30	95.65	93.65	8	1F	AL	99	30	40	60
135N9032	40T10/32-2	32	102.00	100.00	10	1F	AL	105	30	40	65
135N9036	40T10/36-2	36	114.75	112.75	10	1F	AL	118	30	40	70
135N9040	40T10/40-2	40	127.45	125.45	10	1F	AL	131	30	40	80
135N9044	40T10/44-0	44	140.20	138.20	10	1	AL	-	30	40	88
135N9048	40T10/48-0	48	152.95	150.95	16	1	AL	-	30	40	95
135N9060	40T10/60-0	60	191.15	189.15	16	1	AL	-	30	40	110

T10 - 32 mm WIDE BELTS

Catalogue Code	Pulley Designation	Z	Pitch Dia d_p	d_k	Bore Pilot	Type	Mat	d_B	B	B_N	d_N
135NA018	47T10/18-2	18	57.45	55.45	10	1F	AL	61	37	47	40
135NA019	47T10/19-2	19	60.65	58.65	10	1F	AL	64	37	47	44
135NA020	47T10/20-2	20	63.80	61.80	12	1F	AL	67	37	47	46
135NA022	47T10/22-2	22	70.20	68.20	12	1F	AL	75	37	47	52
135NA024	47T10/24-2	24	76.55	74.55	12	1F	AL	80	37	47	58
135NA025	47T10/25-2	25	79.75	77.75	12	1F	AL	82	37	47	60
135NA026	47T10/26-2	26	82.90	80.90	12	1F	AL	87	37	47	60
135NA027	47T10/27-2	27	86.10	84.10	12	1F	AL	90	37	47	60
135NA028	47T10/28-2	28	89.25	87.25	12	1F	AL	93	37	47	60
135NA030	47T10/30-2	30	95.65	93.65	12	1F	AL	99	37	47	60
135NA032	47T10/32-2	32	102.00	100.00	12	1F	AL	105	37	47	65
135NA036	47T10/36-2	36	114.75	112.75	16	1F	AL	118	37	47	70
135NA040	47T10/40-2	40	127.45	125.45	16	1F	AL	131	37	47	80
135NA044	47T10/44-2	44	140.20	138.20	16	1	AL	-	37	47	88
135NA048	47T10/48-2	48	152.95	150.95	16	1	AL	-	37	47	95
135NA060	47T10/60-2	60	191.15	189.15	16	1	AL	-	37	47	110

T10 - 50 mm WIDE BELTS

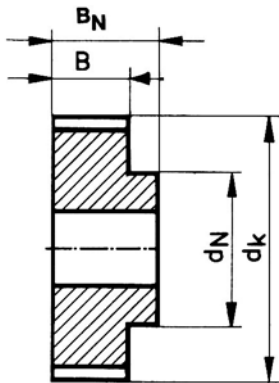
Catalogue Code	Pulley Designation	Z	Pitch Dia d_p	d_k	Bore Pilot	Type	Mat	d_B	B	B_N	d_N
135NB018	66T10/18-2	18	57.45	55.45	10	1F	AL	61	56	66	40
135NB019	66T10/19-2	19	60.65	58.65	10	1F	AL	64	56	66	44
135NB020	66T10/20-2	20	63.80	61.80	12	1F	AL	67	56	66	46
135NB022	66T10/22-2	22	70.20	68.20	12	1F	AL	75	56	66	52
135NB024	66T10/24-2	24	76.55	74.55	12	1F	AL	80	56	66	58
135NB025	66T10/25-2	25	79.75	77.75	12	1F	AL	82	56	66	60
135NB026	66T10/26-2	26	82.90	80.90	12	1F	AL	87	56	66	60
135NB027	66T10/27-2	27	86.10	84.10	12	1F	AL	90	56	66	60
135NB028	66T10/28-2	28	89.25	87.25	12	1F	AL	93	56	66	60
135NB030	66T10/30-2	30	95.65	93.65	12	1F	AL	99	56	66	60
135NB032	66T10/32-2	32	102.00	100.00	12	1F	AL	105	56	66	65
135NB036	66T10/36-2	36	114.75	112.75	16	1F	AL	118	56	66	70
135NB040	66T10/40-2	40	127.45	125.45	16	1F	AL	131	56	66	80
135NB044	66T10/44-0	44	140.20	138.20	16	1	AL	-	56	66	88
135NB048	66T10/48-0	48	152.95	150.95	16	1	AL	-	56	66	95
135NB060	66T10/60-0	60	191.15	189.15	16	1	AL	-	56	66	110

T20 - 32 mm WIDE BELTS

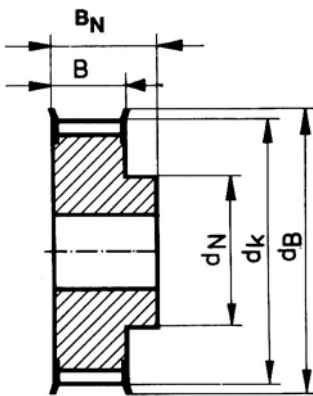
Catalogue Code	Pulley Designation	Z	Pitch Dia d_p	d_k	Bore Pilot	Type	Mat	d_B	B	B_N	d_N
135NC018	53T20/18-2	18	114.75	111.75	15	1F	ST	119	42	53	80
135NC020	53T20/20-2	20	127.50	124.50	15	1F	ST	138	42	53	90
135NC022	53T20/22-2	22	140.20	137.20	15	1F	ST	146	42	53	90
135NC024	53T20/24-2	24	152.95	149.95	15	1F	ST	160	42	53	95
135NC025	53T20/25-2	25	159.30	156.30	15	1F	ST	168	42	53	95
135NC030	53T20/30-2	30	191.15	188.15	15	1F	ST	198	42	53	110
135NC032	53T20/32-0	32	203.85	200.85	18	1	CI	-	42	53	110
135NC036	53T20/36-0	36	229.35	226.35	18	1	CI	-	42	53	110
135NC040	53T20/40-0	40	254.80	251.80	20	1	CI	-	42	53	110
135NC048	53T20/48-0	48	305.70	302.70	20	1	CI	-	42	53	130
135NC060	53T20/60-0	60	382.10	379.10	20	1	CI	-	42	53	130
135NC072	53T20/72-0	72	458.50	455.50	20	1	CI	-	42	53	140

T20 - 50 mm WIDE BELTS

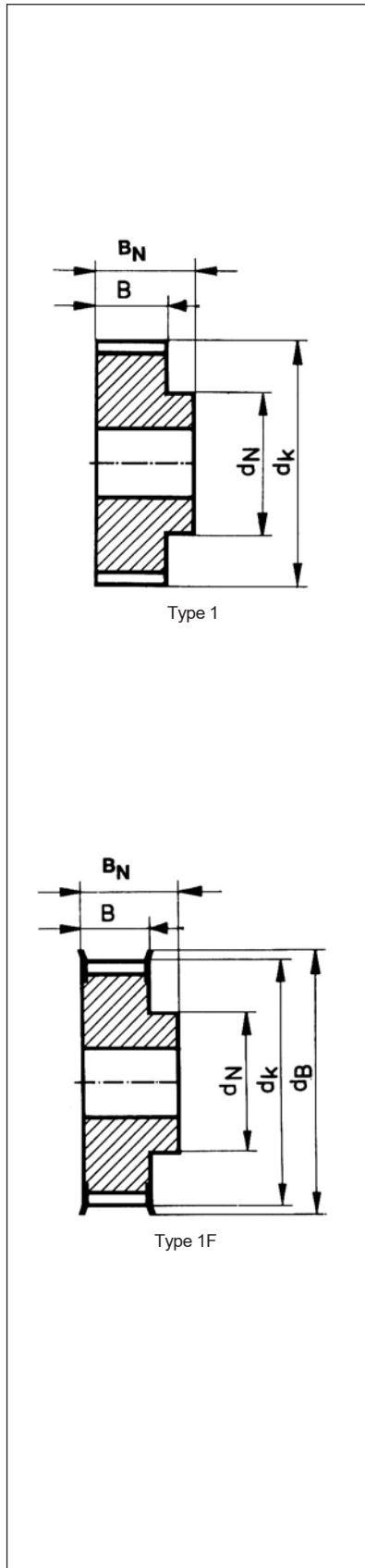
Catalogue Code	Pulley Designation	Z	Pitch Dia d_p	d_k	Bore Pilot	Type	Mat	d_B	B	B_N	d_N
135ND018	71T20/18-2	18	114.75	111.75	18	1F	ST	119	60	71	80
135ND020	71T20/20-2	20	127.50	124.50	18	1F	ST	138	60	71	90
135ND022	71T20/22-2	22	140.20	137.20	18	1F	ST	146	60	71	90
135ND024	71T20/24-2	24	152.95	149.95	18	1F	ST	160	60	71	95
135ND025	71T20/25-2	25	159.30	156.30	18	1F	ST	168	60	71	95
135ND030	71T20/30-2	30	191.15	188.15	18	1F	ST	198	60	71	110
135ND032	71T20/32-0	32	203.85	200.85	20	1	CI	-	60	71	110
135ND036	71T20/36-0	36	229.35	226.35	20	1	CI	-	60	71	110
135ND040	71T20/40-0	40	254.80	251.80	20	1	CI	-	60	71	110
135ND048	71T20/48-0	48	305.70	302.70	24	1	CI	-	60	71	130
135ND060	71T20/60-0	60	382.10	379.10	24	1	CI	-	60	71	130
135ND072	71T20/72-0	72	458.50	455.50	24	1	CI	-	60	71	140



Type 1



Type 1F



T20 - 100 mm WIDE BELTS

Catalogue Code	Pulley Designation	Z	Pitch Dia d_p	d_k	Bore Pilot	Type	Mat	d_B	B	B_N	d_N
135NE018	123T20/18-2	18	114.75	111.75	24	1F	ST	119	110	123	80
135NE020	123T20/20-2	20	127.50	124.50	24	1F	ST	138	110	123	90
135NE022	123T20/22-2	22	140.20	137.20	24	1F	ST	146	110	123	90
135NE024	123T20/24-2	24	152.95	149.95	24	1F	ST	160	110	123	95
135NE025	123T20/25-2	25	159.30	156.30	24	1F	ST	168	110	123	95
135NE030	123T20/30-2	30	191.15	188.15	24	1F	ST	198	110	123	110
135NE032	123T20/32-0	32	203.85	200.85	32	1	CI	-	110	123	110
135NE036	123T20/36-0	36	229.35	226.35	32	1	CI	-	110	123	110
135NE040	123T20/40-0	40	254.80	251.80	32	1	CI	-	110	123	110
135NE048	123T20/48-0	48	305.70	302.70	32	1	CI	-	110	123	130
135NE060	123T20/60-0	60	382.10	379.10	32	1	CI	-	110	123	130
135NE072	123T20/72-0	72	458.50	455.50	32	1	CI	-	110	123	140

AT5 - 10 mm WIDE BELTS

Catalogue Code	Pulley Designation	Z	Pitch Dia d_p	d_k	Bore Pilot	Type	Mat	d_B	B	B_N	d_N
135K5012	21AT5/12-2	12	19.25	17.85	-	1F	AL	23	15	21	11
135K5014	21AT5/14-2	14	22.45	21.05	-	1F	AL	25	15	21	14
135K5015	21AT5/15-2	15	24.05	22.65	6	1F	AL	28	15	21	16
135K5016	21AT5/16-2	16	25.60	24.20	6	1F	AL	32	15	21	18
135K5018	21AT5/18-2	18	28.80	27.40	6	1F	AL	32	15	21	20
135K5019	21AT5/19-2	19	30.40	29.00	6	1F	AL	36	15	21	22
135K5020	21AT5/20-2	20	32.00	30.60	6	1F	AL	36	15	21	23
135K5022	21AT5/22-2	22	35.15	33.85	6	1F	AL	38	15	21	24
135K5024	21AT5/24-2	24	38.35	37.00	6	1F	AL	42	15	21	26
135K5025	21AT5/25-2	25	39.95	38.60	6	1F	AL	44	15	21	26
135K5026	21AT5/26-2	26	41.60	40.20	6	1F	AL	44	15	21	26
135K5027	21AT5/27-2	27	43.15	41.80	8	1F	AL	48	15	21	30
135K5028	21AT5/28-2	28	44.75	43.35	8	1F	AL	48	15	21	32
135K5030	21AT5/30-2	30	47.95	46.55	8	1F	AL	51	15	21	34
135K5032	21AT5/32-2	32	51.10	49.70	8	1F	AL	54	15	21	38
135K5036	21AT5/36-2	36	57.45	56.05	8	1F	AL	63	15	21	38
135K5040	21AT5/40-2	40	63.85	62.45	8	1F	AL	66	15	21	40
135K5042	21AT5/42-2	42	67.00	65.60	8	1F	AL	71	15	21	40
135K5044	21AT5/44-0	44	70.20	68.80	8	1	AL	-	15	21	45
135K5048	21AT5/48-0	48	76.55	75.15	8	1	AL	-	15	21	50
135K5060	21AT5/60-0	60	95.65	94.25	8	1	AL	-	15	21	65

AT5 - 16 mm WIDE BELTS

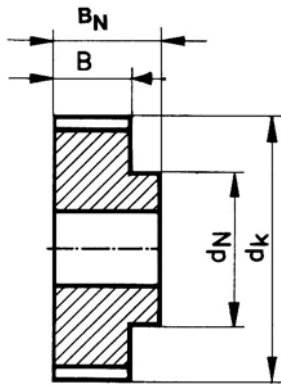
Catalogue Code	Pulley Designation	Z	Pitch Dia d_p	d_k	Bore Pilot	Type	Mat	d_B	B	B_N	d_N
135K6012	27AT5/12-2	12	19.25	17.85	-	1F	AL	23	21	27	11
135K6014	27AT5/14-2	14	22.45	21.05	-	1F	AL	25	21	27	14
135K6015	27AT5/15-2	15	24.05	22.65	6	1F	AL	28	21	27	16
135K6016	27AT5/16-2	16	25.60	24.20	6	1F	AL	32	21	27	18
135K6018	27AT5/18-2	18	28.80	27.40	6	1F	AL	32	21	27	20
135K6019	27AT5/19-2	19	30.40	29.00	6	1F	AL	36	21	27	22
135K6020	27AT5/20-2	20	32.00	30.60	6	1F	AL	36	21	27	23
135K6022	27AT5/22-2	22	35.15	33.85	6	1F	AL	38	21	27	24
135K6024	27AT5/24-2	24	38.35	37.00	6	1F	AL	42	21	27	26
135K6025	27AT5/25-2	25	39.95	38.60	6	1F	AL	44	21	27	26
135K6026	27AT5/26-2	26	41.60	40.20	6	1F	AL	44	21	27	26
135K6027	27AT5/27-2	27	43.15	41.80	8	1F	AL	48	21	27	30
135K6028	27AT5/28-2	28	44.75	43.35	8	1F	AL	48	21	27	32
135K6030	27AT5/30-2	30	47.95	46.55	8	1F	AL	51	21	27	34
135K6032	27AT5/32-2	32	51.10	49.70	8	1F	AL	54	21	27	38
135K6036	27AT5/36-2	36	57.45	56.05	8	1F	AL	63	21	27	38
135K6040	27AT5/40-2	40	63.85	62.45	8	1F	AL	66	21	27	40
135K6042	27AT5/42-2	42	67.00	65.60	8	1F	AL	71	21	27	40
135K6044	27AT5/44-0	44	70.20	68.80	8	1	AL	-	21	27	45
135K6048	27AT5/48-0	48	76.55	75.15	8	1	AL	-	21	27	50
135K6060	27AT5/60-0	60	95.65	94.25	8	1	AL	-	21	27	65

AT5 - 25 mm WIDE BELTS

Catalogue Code	Pulley Designation	Z	Pitch Dia d_p	d_k	Bore Pilot	Type	Mat	d_B	B	B_N	d_N
135K7012	36AT5/12-2	12	19.25	17.85	-	1F	AL	23	30	36	11
135K7014	36AT5/14-2	14	22.45	21.05	-	1F	AL	25	30	36	14
135K7015	36AT5/15-2	15	24.05	22.65	6	1F	AL	28	30	36	16
135K7016	36AT5/16-2	16	25.60	24.20	6	1F	AL	32	30	36	18
135K7018	36AT5/18-2	18	28.80	27.40	6	1F	AL	32	30	36	20
135K7019	36AT5/19-2	19	30.40	29.00	6	1F	AL	36	30	36	22
135K7020	36AT5/20-2	20	32.00	30.60	6	1F	AL	36	30	36	23
135K7022	36AT5/22-2	22	35.15	33.75	6	1F	AL	39	30	36	24
135K7024	36AT5/24-2	24	38.35	36.95	8	1F	AL	42	30	36	26
135K7025	36AT5/25-2	25	39.95	38.55	8	1F	AL	43	30	36	26
135K7026	36AT5/26-2	26	41.60	40.20	8	1F	AL	44	30	36	26
135K7027	36AT5/27-2	27	43.15	41.75	8	1F	AL	47	30	36	30
135K7028	36AT5/28-2	28	44.75	43.35	8	1F	AL	48	30	36	32
135K7030	36AT5/30-2	30	47.95	46.50	8	1F	AL	51	30	36	34
135K7032	36AT5/32-2	32	51.10	49.70	8	1F	AL	55	30	36	38
135K7036	36AT5/36-2	36	57.45	56.05	8	1F	AL	61	30	36	38
135K7040	36AT5/40-2	40	63.85	62.45	8	1F	AL	67	30	36	40
135K7042	36AT5/42-2	42	67.00	65.60	8	1F	AL	71	30	36	40
135K7044	36AT5/44-0	44	70.20	68.80	8	1	AL	74	30	36	45
135K7048	36AT5/48-0	48	76.55	75.15	8	1	AL	-	30	36	50
135K7060	36AT5/60-0	60	95.65	94.25	8	1	AL	-	30	36	65

AT10 - 16 mm WIDE BELTS

Catalogue Code	Pulley Designation	Z	Pitch Dia d_p	d_k	Bore Pilot	Type	Mat	d_b	B	B_N	d_N
135K8015	31AT 10/15-2	15	47.90	45.90	8	1F	AL	51	21	31	32
135K8016	31AT 10/16-2	16	51.10	49.05	8	1F	AL	54	21	31	35
135K8018	31AT 10/18-2	18	57.45	55.45	8	1F	AL	60	21	31	40
135K8019	31AT 10/19-2	19	60.65	58.60	8	1F	AL	66	21	31	44
135K8020	31AT 10/20-2	20	63.80	61.80	8	1F	AL	66	21	31	46
135K8022	31AT 10/22-2	22	70.20	68.15	8	1F	AL	75	21	31	52
135K8024	31AT 10/24-2	24	76.55	74.55	8	1F	AL	83	21	31	58
135K8025	31AT 10/25-2	25	79.75	77.70	8	1F	AL	83	21	31	60
135K8026	31AT 10/26-2	26	82.90	80.90	8	1F	AL	87	21	31	60
135K8027	31AT 10/27-2	27	86.10	84.10	8	1F	AL	91	21	31	60
135K8028	31AT 10/28-2	28	89.25	87.25	8	1F	AL	93	21	31	60
135K8030	31AT 10/30-2	30	95.65	93.65	8	1F	AL	97	21	31	60
135K8032	31AT 10/32-2	32	102.00	100.00	10	1F	AL	106	21	31	65
135K8036	31AT 10/36-2	36	114.75	112.75	10	1F	AL	119	21	31	70
135K8040	31AT 10/40-2	40	127.45	125.45	10	1F	AL	131	21	31	80
135K8044	31AT 10/44-0	44	140.20	138.20	10	1	AL	-	21	31	88
135K8048	31AT 10/48-0	48	152.95	150.95	16	1	AL	-	21	31	95
135K8060	31AT 10/60-0	60	191.15	189.10	16	1	AL	-	21	31	110



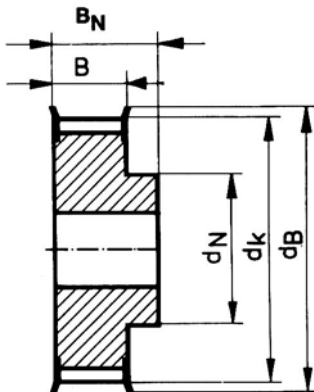
Type 1

AT10 - 25 mm WIDE BELTS

Catalogue Code	Pulley Designation	Z	Pitch Dia d_p	d_k	Bore Pilot	Type	Mat	d_b	B	B_N	d_N
135K9015	40AT 10/15-2	15	47.90	45.90	8	1F	AL	51	30	40	32
135K9016	40AT 10/16-2	16	51.10	49.05	8	1F	AL	54	30	40	35
135K9018	40AT 10/18-2	18	57.45	55.45	8	1F	AL	60	30	40	40
135K9019	40AT 10/19-2	19	60.65	58.60	8	1F	AL	66	30	40	44
135K9020	40AT 10/20-2	20	63.80	61.80	8	1F	AL	67	30	40	46
135K9022	40AT 10/22-2	22	70.20	68.20	8	1F	AL	74	30	40	52
135K9024	40AT 10/24-2	24	76.55	74.55	8	1F	AL	80	30	40	58
135K9025	40AT 10/25-2	25	79.75	77.75	8	1F	AL	82	30	40	60
135K9026	40AT 10/26-2	26	82.90	80.90	8	1F	AL	87	30	40	60
135K9027	40AT 10/27-2	27	86.10	84.10	8	1F	AL	90	30	40	60
135K9028	40AT 10/28-2	28	89.25	87.25	8	1F	AL	93	30	40	60
135K9030	40AT 10/30-2	30	95.65	93.65	8	1F	AL	99	30	40	60
135K9032	40AT 10/32-2	32	102.00	100.00	10	1F	AL	105	30	40	65
135K9036	40AT 10/36-2	36	114.75	112.75	10	1F	AL	118	30	40	70
135K9040	40AT 10/40-2	40	127.45	125.45	10	1F	AL	131	30	40	80
135K9044	40AT 10/44-0	44	140.20	138.20	10	1	AL	144	30	40	88
135K9048	40AT 10/48-0	48	152.95	150.95	16	1	AL	-	30	40	95
135K9060	40AT 10/60-0	60	191.15	189.15	16	1	AL	-	30	40	110

AT10 - 32 mm WIDE BELTS

Catalogue Code	Pulley Designation	Z	Pitch Dia d_p	d_k	Bore Pilot	Type	Mat	d_b	B	B_N	d_N
135KA018	47AT 10/18-2	18	57.45	55.45	10	1F	AL	60	37	47	40
135KA019	47AT 10/19-2	19	60.65	58.60	10	1F	AL	66	37	47	44
135KA020	47AT 10/20-2	20	63.80	61.80	12	1F	AL	67	37	47	46
135KA022	47AT 10/22-2	22	70.20	68.20	12	1F	AL	74	37	47	52
135KA024	47AT 10/24-2	24	76.55	74.55	12	1F	AL	80	37	47	58
135KA025	47AT 10/25-2	25	79.75	77.75	12	1F	AL	82	37	47	60
135KA026	47AT 10/26-2	26	82.90	80.90	12	1F	AL	87	37	47	60
135KA027	47AT 10/27-2	27	86.10	84.10	12	1F	AL	90	37	47	60
135KA028	47AT 10/28-2	28	89.25	87.25	12	1F	AL	93	37	47	60
135KA030	47AT 10/30-2	30	95.65	93.65	12	1F	AL	99	37	47	60
135KA032	47AT 10/32-2	32	102.00	100.00	12	1F	AL	105	37	47	65
135KA036	47AT 10/36-2	36	114.75	112.75	16	1F	AL	118	37	47	70
135KA040	47AT 10/40-2	40	127.45	125.45	16	1F	AL	131	37	47	80
135KA044	47AT 10/44-0	44	140.20	138.20	16	1	AL	144	37	47	88
135KA048	47AT 10/48-0	48	152.95	150.95	16	1	AL	-	37	47	95
135KA060	47AT 10/60-0	60	191.15	189.15	16	1	AL	-	37	47	110



Type 1F

AT10 - 50 mm WIDE BELTS

Catalogue Code	Pulley Designation	Z	Pitch Dia d_p	d_k	Bore Pilot	Type	Mat	d_b	B	B_N	d_N
135KB018	66AT 10/18-2	18	57.45	55.45	10	1F	AL	60	56	66	40
135KB019	66AT 10/19-2	19	60.65	58.60	10	1F	AL	66	56	66	44
135KB020	66AT 10/20-2	20	63.80	61.80	12	1F	AL	67	56	66	46
135KB022	66AT 10/22-2	22	70.20	68.20	12	1F	AL	74	56	66	52
135KB024	66AT 10/24-2	24	76.55	74.55	12	1F	AL	80	56	66	58
135KB025	66AT 10/25-2	25	79.75	77.75	12	1F	AL	82	56	66	60
135KB026	66AT 10/26-2	26	82.90	80.90	12	1F	AL	87	56	66	60
135KB027	66AT 10/27-2	27	86.10	84.10	12	1F	AL	90	56	66	60
135KB028	66AT 10/28-2	28	89.25	87.25	12	1F	AL	93	56	66	60
135KB030	66AT 10/30-2	30	95.65	93.65	12	1F	AL	99	56	66	60
135KB032	66AT 10/32-2	32	102.00	100.00	12	1F	AL	105	56	66	65
135KB036	66AT 10/36-2	36	114.75	112.75	16	1F	AL	118	56	66	70
135KB040	66AT 10/40-2	40	127.45	125.45	16	1F	AL	131	56	66	80
135KB044	66AT 10/44-0	44	140.20	138.20	16	1	AL	144	56	66	88
135KB048	66AT 10/48-0	48	152.95	150.95	16	1	AL	-	56	66	95
135KB060	66AT 10/60-0	60	191.15	189.15	16	1	AL	-	56	66	110