

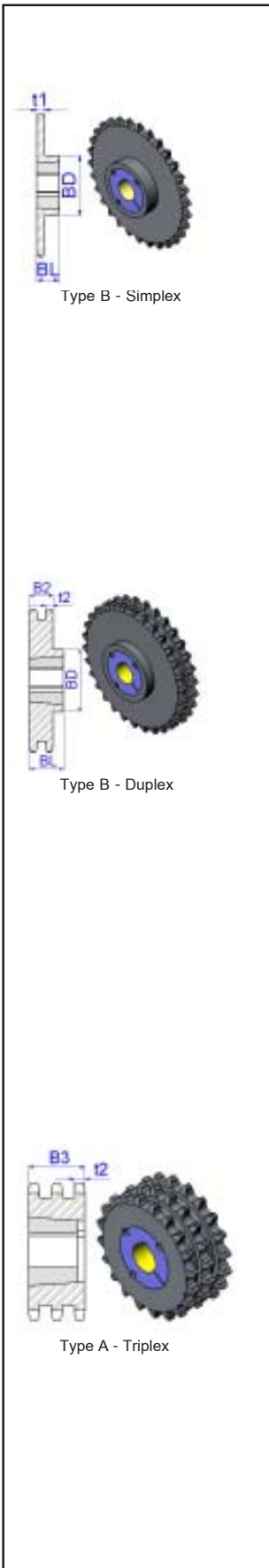
### ANSI 40 (Pitch 12.7 mm., 0.5 inch)

#### Simplex (t1 = 7.21 mm.)

Teeth	PCD	OD	Item code	Bush	BD	BL	Bore		Type
							Min	Max	
14	57.07	63.26	13703114	1008	45	23	9	25	B
15	61.08	67.37	13703115	1008	46	23	9	25	B
16	65.10	71.47	13703116	1108	52	23	9	28	B
17	69.12	75.56	13703117	1210	55	26	11	32	B
18	73.14	79.65	13703118	1210	60	26	11	32	B
19	77.16	83.73	13703119	1210	63	26	11	32	B
20	81.18	87.80	13703120	1610	65	26	14	42	B
21	85.21	91.88	13703121	1610	71	26	14	42	B
22	89.24	95.95	13703122	1610	76	26	14	42	B
23	93.27	100.02	13703123	1610	76	26	14	42	B
24	97.30	104.09	13703124	1610	76	26	14	42	B
25	101.33	108.15	13703125	1610	76	26	14	42	B
26	105.36	112.21	13703126	1610	76	26	14	42	B
27	109.40	116.28	13703127	1610	90	26	14	42	B
28	113.43	120.34	13703128	2012	90	32	14	50	B
29	117.46	124.39	13703129	2012	90	32	14	50	B
30	121.50	128.45	13703130	2012	90	32	14	50	B
32	129.57	136.57	13703132	2012	90	32	14	50	B
35	141.68	148.73	13703135	2012	90	32	14	50	B
36	145.72	152.78	13703136	2012	90	32	14	50	B
38	153.79	160.89	13703138	2012	102	32	14	50	B
40	161.87	168.99	13703140	2012	102	32	14	50	B
42	169.94	177.09	13703142	2012	102	32	14	50	B
45	182.06	189.24	13703145	2012	102	32	14	50	B
48	194.18	201.38	13703148	2012	102	32	14	50	B
54	218.42	225.67	13703154	2012	102	32	14	50	B
57	230.54	237.81	13703157	2012	102	32	14	50	B
60	242.66	249.95	13703160	2012	102	32	14	50	B
70	283.07	290.41	13703170	2012	102	32	14	50	B
72	291.15	298.50	13703172	2012	102	32	14	50	B
76	307.32	314.68	13703176	2012	102	32	14	50	B
80	323.49	330.86	13703180	2012	102	32	14	50	B
84	339.65	347.03	13703184	2012	102	32	14	50	B
95	384.11	391.52	13703195	2012	102	32	14	50	B
96	388.15	395.56	13703196	2012	102	32	14	50	B
114	460.91	468.35	137031B4	2517	108	45	16	60	B

#### Triplex (t2 = 6.99 mm., B3 = 35.7 mm.)

Teeth	PCD	OD	Item code	Bush	BD	BL	Bore		Type
							Min	Max	
15	61.08	67.37	13703315	1008		23	9	25	A
17	69.12	75.56	13703317	1108		23	9	28	A
19	77.16	83.73	13703319	1210		26	11	32	A
21	85.21	91.88	13703321	1610		26	14	42	A
23	93.27	100.02	13703323	1610		26	14	42	A
25	101.33	108.15	13703325	2012		32	14	50	A
27	109.40	116.28	13703327	2012		32	14	50	A
30	121.50	128.45	13703330	2012		32	14	50	A
38	153.79	160.89	13703338	2012		32	14	50	A
39	157.83	164.94	13703339	2012		32	14	50	A
40	161.87	168.99	13703340	2012		32	14	50	A
41	165.91	173.04	13703341	2012		32	14	50	A
42	169.94	177.09	13703342	2012		32	14	50	A
43	173.98	181.14	13703343	2012		32	14	50	A
44	178.02	185.19	13703344	2012		32	14	50	A
45	182.06	189.24	13703345	2012		32	14	50	A
57	230.54	237.81	13703357	2012		32	14	50	A
58	234.58	241.86	13703358	2012		32	14	50	A
59	238.62	245.90	13703359	2012		32	14	50	A
60	242.66	249.95	13703360	2012		32	14	50	A
64	258.83	266.13	13703364	2012		32	14	50	A
65	262.87	270.18	13703365	2012		32	14	50	A
66	266.91	274.23	13703366	2012		32	14	50	A
67	270.95	278.27	13703367	2012		32	14	50	A
68	274.99	282.32	13703368	2012		32	14	50	A
69	279.03	286.36	13703369	2012		32	14	50	A
70	283.07	290.41	13703370	2012		32	14	50	A
71	287.11	294.45	13703371	2012		32	14	50	A
75	303.28	310.63	13703375	2012		32	14	50	A



Type B - Simplex

Type B - Duplex

Type A - Triplex

#### Duplex (t2 = 6.99 mm., B2 = 21.4 mm.)

Teeth	PCD	OD	Item code	Bush	BD	BL	Bore		Type
							Min	Max	
15	61.08	67.37	13703215	1008	48	23	9	25	B
16	65.10	71.47	13703216	1108	50	23	9	28	B
17	69.12	75.56	13703217	1210	56	26	11	32	B
18	73.14	79.65	13703218	1210	60	26	11	32	B
19	77.16	83.73	13703219	1210	64	26	11	32	B
20	81.18	87.80	13703220	1610	68	26	11	32	B
21	85.21	91.88	13703221	1610	71	26	14	42	B
22	89.24	95.95	13703222	1610	76	26	14	42	B
23	93.27	100.02	13703223	1610	79	26	14	42	B
24	97.30	104.09	13703224	2012	84	32	14	50	B
25	101.33	108.15	13703225	2012	87	32	14	50	B
26	105.36	112.21	13703226	2012	87	32	14	50	B
27	109.40	116.28	13703227	2012	87	32	14	50	B
28	113.43	120.34	13703228	2012	87	32	14	50	B
29	117.46	124.39	13703229	2012	87	32	14	50	B
30	121.50	128.45	13703230	2012	87	32	14	50	B
35	141.68	148.73	13703235	2012	102	32	14	50	B
36	145.72	152.78	13703236	2012	102	32	14	50	B
38	153.79	160.89	13703238	2012	102	32	14	50	B
42	169.94	177.09	13703242	2517	108	45	16	60	B
45	182.06	189.24	13703245	2517	111	45	16	60	B
48	194.18	201.38	13703248	2517	108	45	16	60	B
54	218.42	225.67	13703254	2517	108	45	16	60	B
57	230.54	237.81	13703257	2517	111	45	16	60	B
60	242.66	249.95	13703260	2517	108	45	16	60	B
68	274.99	282.32	13703268	2517	108	45	16	60	B
70	283.07	290.41	13703270	2517	108	45	16	60	B
72	291.15	298.50	13703272	2517	108	45	16	60	B
76	307.32	314.68	13703276	2517	111	45	16	60	B
84	339.65	347.03	13703284	2517	108	45	16	60	B
95	384.11	391.52	13703295	2517	111	45	16	60	B
96	388.15	395.56	13703296	2517	108	45	16	60	B
112	452.82	460.27	137032B2	2517	108	45	16	60	B
114	460.91	468.35	137032B4	2517	108	45	16	60	B

### ANSI 50 (Pitch 15.875 mm., 0.625 inch)

Simplex (t1 = 8.71 mm.)

Teeth	PCD	OD	Item code	Bush	BD	BL	Bore		Type
							Min	Max	
12	61.34	68.77	13704112	1008	45	23	9	25	B
13	66.33	73.93	13704113	1008	50	23	9	25	B
14	71.34	79.08	13704114	1108	52	23	9	28	B
15	76.35	84.21	13704115	1210	60	26	11	32	B
16	81.37	89.33	13704116	1610	65	26	14	42	B
17	86.39	94.45	13704117	1610	71	26	14	42	B
18	91.42	99.56	13704118	1610	75	26	14	42	B
19	96.45	104.66	13704119	1610	76	26	14	42	B
20	101.48	109.76	13704120	1610	76	26	14	42	B
21	106.51	114.85	13704121	1610	76	26	14	42	B
22	111.55	119.94	13704122	1610	76	26	14	42	B
23	116.59	125.02	13704123	1610	76	26	14	42	B
24	121.62	130.11	13704124	2012	90	32	14	50	B
25	126.66	135.19	13704125	2012	90	32	14	50	B
26	131.70	140.27	13704126	2012	90	32	14	50	B
27	136.74	145.34	13704127	2012	90	32	14	50	B
28	141.79	150.42	13704128	2012	90	32	14	50	B
29	146.83	155.49	13704129	2012	90	32	14	50	B
30	151.87	160.57	13704130	2012	98	32	14	50	B
32	161.96	170.71	13704132	2012	98	32	14	50	B
35	177.10	185.91	13704135	2012	98	32	14	50	B
36	182.15	190.98	13704136	2012	98	32	14	50	B
38	192.24	201.11	13704138	2012	102	32	14	50	B
40	202.33	211.24	13704140	2012	102	32	14	50	B
42	212.43	221.36	13704142	2012	102	32	14	50	B
45	227.58	236.55	13704145	2012	111	32	14	50	B
48	242.73	251.73	13704148	2012	102	32	14	50	B
54	273.03	282.09	13704154	2012	102	32	14	50	B
57	288.18	297.26	13704157	2012	111	32	14	50	B
60	303.33	312.44	13704160	2012	102	32	14	50	B
70	353.84	363.01	13704170	2517	111	45	16	60	B
72	363.94	373.12	13704172	2517	111	45	16	60	B
76	384.15	393.35	13704176	2517	111	45	16	60	B
80	404.36	413.57	13704180	2517	111	45	16	60	B
84	424.57	433.79	13704184	2517	111	45	16	60	B
95	480.14	489.40	13704195	2517	111	45	16	60	B
96	485.19	494.46	13704196	2517	111	45	16	60	B
114	576.13	585.44	137041B4	2517	111	45	16	60	B

Triplex (t2 = 8.43 mm., B3 = 44.7 mm.)

Teeth	PCD	OD	Item code	Bush	BD	BL	Bore		Type	
							Min	Max		
12	61.34	68.77	13714212							
13	66.33	73.93	13704313	1008			23	9	25	A
14	71.34	79.08	13704314	1108			23	9	28	A
15	76.35	84.21	13704315	1210			26	11	32	A
16	81.37	89.33	13704316	1610			26	14	42	A
17	86.39	94.45	13704317	1610			26	14	42	A
18	91.42	99.56	13704318	1610			26	14	42	A
19	96.45	104.66	13704319	1615	75		45	14	42	B
20	101.48	109.76	13704320	1615	75		45	14	42	B
21	106.51	114.85	13704321	1615	80		45	14	42	B
22	111.55	119.94	13704322	1615	80		45	14	42	B
23	116.59	125.02	13704323	1615	90		45	14	42	B
24	121.62	130.11	13704324	1615	105	45	14	42	B	B
25	126.66	135.19	13704325	2517	105	45	16	60	B	B
27	136.74	145.34	13704327	2517	110	45	16	60	B	B
30	151.87	160.57	13704330	2517	120	45	16	60	B	B

Type A - Duplex

Type A - Triplex

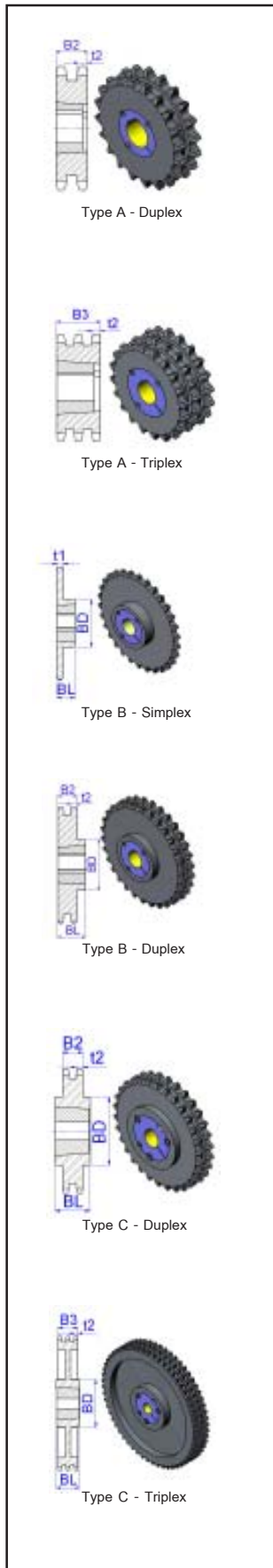
Type B - Simplex

Type B - Duplex

Type B - Triplex

Duplex (t2 = 8.43 mm., B2 = 26.5 mm.)

Teeth	PCD	OD	Item code	Bush	BD	BL	Bore		Type
							Min	Max	
14	71.34	79.08	13704214	1008		23	9	25	A
15	76.35	84.21	13704215	1210		26	11	32	A
16	81.37	89.33	13704216	1610		26	14	42	A
17	86.39	94.45	13704217	1610		26	14	42	A
18	91.42	99.56	13704218	1610		26	14	42	A
19	96.45	104.66	13704219	1610		26	14	42	A
20	101.48	109.76	13704220	1610		26	14	42	A
21	106.51	114.85	13704221	1610		26	14	42	A
22	111.55	119.94	13704222	1610		26	14	42	A
23	116.59	125.02	13704223	1610		26	14	42	A
24	121.62	130.11	13704224	2012	90	32	14	50	B
25	126.66	135.19	13704225	2012	90	32	14	50	B
26	131.70	140.27	13704226	2012	90	32	14	50	B
27	136.74	145.34	13704227	2012	90	32	14	50	B
28	141.79	150.42	13704228	2012	90	32	14	50	B
29	146.83	155.49	13704229	2012	90	32	14	50	B
30	151.87	160.57	13704230	2012	90	32	14	50	B
36	182.15	190.98	13704236	2517	108	45	16	60	B
38	192.24	201.11	13704238	2517	108	45	16	60	B
42	212.43	221.36	13704242	2517	111	45	16	60	B
45	227.58	236.55	13704245	2517	108	45	16	60	B
48	242.73	251.73	13704248	2517	111	45	16	60	B
57	288.18	297.26	13704257	2517	130	45	16	60	B
60	303.33	312.44	13704260	2517	111	45	16	60	B
68	343.74	352.90	13704268	2517	111	45	16	60	B
76	384.15	393.35	13704276	2517	130	45	16	60	B
84	424.57	433.79	13704284	2517	111	45	16	60	B
95	480.14	489.40	13704295	2517	130	45	16	60	B
114	576.13	585.44	137042B4	2517	111	45	16	60	B



### ANSI 60 (Pitch 19.05 mm., 0.75 inch)

#### Simplex (t1 = 11.7 mm.)

Teeth	PCD	OD	Item code	Bush	BD	BL	Bore		Type
							Min	Max	
11	67.62	76.31	13705111	1008	46	23	9	25	B
12	73.60	82.53	13705112	1008	50	23	9	25	B
13	79.60	88.72	13705113	1210	60	25	11	32	B
14	85.61	94.89	13705114	1610	65	25	14	42	B
15	91.63	101.05	13705115	1610	71	25	14	42	B
16	97.65	107.20	13705116	1610	75	25	14	42	B
17	103.67	113.34	13705117	1610	76	25	14	42	B
18	109.70	119.47	13705118	2012	90	32	14	50	B
19	115.74	125.59	13705119	2012	90	32	14	50	B
20	121.78	131.71	13705120	2012	90	32	14	50	B
21	127.82	137.82	13705121	2517	102	45	16	60	B
22	133.86	143.93	13705122	2517	102	45	16	60	B
23	139.90	150.03	13705123	2517	108	45	16	60	B
24	145.95	156.13	13705124	2517	108	45	16	60	B
25	151.99	162.23	13705125	2517	108	45	16	60	B
26	158.04	168.32	13705126	2517	108	45	16	60	B
27	164.09	174.41	13705127	2517	108	45	16	60	B
28	170.14	180.50	13705128	2517	108	45	16	60	B
29	176.19	186.59	13705129	2517	114	45	16	60	B
30	182.25	192.68	13705130	2517	114	45	16	60	B
32	194.35	204.85	13705132	2517	114	45	16	60	B
35	212.52	223.09	13705135	2517	114	45	16	60	B
36	218.57	229.17	13705136	2517	114	45	16	60	B
38	230.69	241.33	13705138	2517	124	45	16	60	B
40	242.80	253.48	13705140	2517	114	45	16	60	B
42	254.92	265.63	13705142	2517	114	45	16	60	B
45	273.09	283.86	13705145	2517	124	45	16	60	B
48	291.27	302.08	13705148	2517	114	45	16	60	B
54	327.63	338.51	13705154	2517	114	45	16	60	B
57	345.81	356.72	13705157	2517	124	45	16	60	B
60	363.99	374.93	13705160	2517	114	45	16	60	B
68	412.49	423.48	13705168	2517	114	45	16	60	B
70	424.61	435.61	13705170	2517	114	45	16	60	B
72	436.73	447.75	13705172	2517	114	45	16	60	B
76	460.98	472.02	13705176	2517	124	45	16	60	B
84	509.48	520.55	13705184	2517	114	45	16	60	B
95	576.17	587.28	13705195	2517	124	45	16	60	B
96	582.23	593.35	13705196	2517	114	45	16	60	B
114	691.36	702.53	137051B4	2517	114	45	16	60	B

#### Triplex (t2 = 11.3 mm., B3 = 56.8 mm.)

Teeth	PCD	OD	Item code	Bush	BD	BL	Bore		Type
							Min	Max	
11	67.62	76.31	13705313	1615	39	14	42	A	
12	73.60	82.53	13705313	1615	39	14	42	A	
13	79.60	88.72	13705313	1615	39	14	42	A	
15	91.63	101.05	13705315	1615	39	14	42	A	
17	103.67	113.34	13705317	2012	32	14	50	A	
18	109.70	119.47	13705318	2012	32	14	50	A	
19	115.74	125.59	13705319	2012	32	14	50	A	
20	121.78	131.71	13705320	2012	32	14	50	A	
21	127.82	137.82	13705321	2517	45	16	60	A	
23	139.90	150.03	13705323	2517	45	16	60	A	
24	145.95	156.13	13705324	2517	45	16	60	A	
25	151.99	162.23	13705325	2517	45	16	60	A	
26	158.04	168.32	13705326	3020	51	25	75	A	
27	164.09	174.41	13705327	3020	51	25	75	A	
28	170.14	180.50	13705328	3020	51	25	75	A	
29	176.19	186.59	13705329	3020	51	25	75	A	
30	182.25	192.68	13705330	3020	51	25	75	A	
35	212.52	223.09	13705335	3020	51	25	75	A	
36	218.57	229.17	13705336	3020	51	25	75	A	
37	224.63	235.25	13705337	3020	51	25	75	A	
38	230.69	241.33	13705338	3020	51	25	75	A	
39	236.74	247.41	13705339	3020	51	25	75	A	
40	242.80	253.48	13705340	3020	51	25	75	A	
45	273.09	283.86	13705345	3020	51	25	75	A	
46	279.15	289.93	13705346	3020	51	25	75	A	
47	285.21	296.00	13705347	3020	51	25	75	A	
48	291.27	302.08	13705348	3020	51	25	75	A	
49	297.33	308.15	13705349	3020	51	25	75	A	
57	345.81	356.72	13705357	3020	51	25	75	C	
76	460.98	472.02	13705376	3020	51	25	75	C	
95	576.17	587.28	13705395	3030	140	76	25	75	C

#### Duplex (t2 = 11.3 mm., B2 = 34.1 mm.)

Teeth	PCD	OD	Item code	Bush	BD	BL	Bore		Type
							Min	Max	
12	73.60	82.53	13705212	1215	55	39	11	32	B
13	79.60	88.72	13705213	1215	60	39	11	32	B
14	85.61	94.89	13705214	1215	65	39	11	32	B
15	91.63	101.05	13705215	1610	26	14	42	A	
16	97.65	107.20	13705216	1610	26	14	42	A	
17	103.67	113.34	13705217	1610	26	14	42	A	
18	109.70	119.47	13705218	2012	32	14	50	A	
19	115.74	125.59	13705219	2012	32	14	50	A	
20	121.78	131.71	13705220	2517	102	45	16	60	B
21	127.82	137.82	13705221	2517	107	45	16	60	B
22	133.86	143.93	13705222	2517	108	45	16	60	B
23	139.90	150.03	13705223	2517	119	45	16	60	B
24	145.95	156.13	13705224	2517	108	45	16	60	B
25	151.99	162.23	13705225	2517	130	45	16	60	B
26	158.04	168.32	13705226	2517	108	45	16	60	B
27	164.09	174.41	13705227	2517	130	45	16	60	B
28	170.14	180.50	13705228	2517	108	45	16	60	B
30	182.25	192.68	13705230	2517	130	45	16	60	B
32	194.35	204.85	13705232	2517	130	45	16	60	B
35	212.52	223.09	13705235	2517	130	45	16	60	B
38	230.69	241.33	13705238	3020	152	51	25	75	B
40	242.80	253.48	13705240	3020	152	51	25	75	B
42	254.92	265.63	13705242	3020	152	51	25	75	B
45	273.09	283.86	13705245	3020	152	51	25	75	B
54	327.63	338.51	13705254	3020	152	51	25	75	B
57	345.81	356.72	13705257	3020	160	51	25	75	B
60	363.99	374.93	13705260	3020	152	51	25	75	B
65	394.30	405.27	13705265	3020	152	51	25	75	B
70	424.61	435.61	13705270	3020	152	51	25	75	C
76	460.98	472.02	13705276	3020	160	51	25	75	C
84	509.48	520.55	13705284	3020	152	51	25	75	C
95	576.17	587.28	13705295	3020	160	51	25	75	C
114	691.36	702.53	137052B4	3020	152	51	25	75	C

### ANSI 80 (Pitch 25.4 mm., 1 inch)

Simplex (t1 = 14.61 mm.)

Teeth	PCD	OD	Item code	Bush	BD	BL	Bore		Type
							Min	Max	
10	82.20	93.41	13706110	1215	57	39	11	32	B
11	90.16	101.74	13706111	1215	65	39	11	32	B
12	98.14	110.03	13706112	1615	75	39	11	32	B
13	106.14	118.29	13706113	1615	80	39	11	32	B
14	114.15	126.52	13706114	1615	80	39	11	32	B
15	122.17	134.74	13706115	1615	80	39	11	32	B
16	130.20	142.93	13706116	2012	90	32	14	50	B
17	138.23	151.12	13706117	2012	90	32	14	50	B
18	146.27	159.29	13706118	2517	108	45	16	60	B
19	154.32	167.45	13706119	2517	108	45	16	60	B
20	162.37	175.61	13706120	2517	108	45	16	60	B
21	170.42	183.76	13706121	2517	108	45	16	60	B
22	178.48	191.90	13706122	2517	108	45	16	60	B
23	186.54	200.04	13706123	2517	108	45	16	60	B
24	194.60	208.17	13706124	2517	108	45	16	60	B
25	202.66	216.30	13706125	2517	108	45	16	60	B
26	210.72	224.43	13706126	2517	108	45	16	60	B
27	218.79	232.55	13706127	2517	108	45	16	60	B
28	226.86	240.67	13706128	2517	108	45	16	60	B
29	234.93	248.79	13706129	3020	146	51	25	75	B
30	243.00	256.90	13706130	3020	146	51	25	75	B
32	259.14	273.13	13706132	3020	146	51	25	75	B
35	283.36	297.46	13706135	3020	146	51	25	75	B
36	291.43	305.56	13706136	3020	146	51	25	75	B
38	307.58	321.77	13706138	3020	159	51	25	75	B
40	323.74	337.98	13706140	3020	146	51	25	75	B
45	364.12	378.48	13706145	3020	159	51	25	75	B
48	388.36	402.77	13706148	3020	146	51	25	75	B
54	436.84	451.34	13706154	3020	146	51	25	75	B
57	461.08	475.62	13706157	3020	159	51	25	75	B
60	485.33	499.90	13706160	3020	146	51	25	75	B
64	517.65	532.27	13706164	3020	146	51	25	75	B
70	566.15	590.81	13706170	3020	146	51	25	75	C
76	614.64	629.36	13706176	3020	159	51	25	75	C
80	646.97	661.71	13706180	3020	146	51	25	75	C
84	679.30	694.07	13706184	3020	146	51	25	75	C
95	768.22	783.04	13706195	3020	159	51	25	75	C
114	921.81	936.70	137061B4	3020	146	51	25	75	C

Duplex (t2 = 14.15 mm., B2 = 43.18 mm.)

Teeth	PCD	OD	Item code	Bush	BD	BL	Bore		Type
							Min	Max	
13	106.14	118.29	13706213	1615		39	14	42	A
14	114.15	126.52	13706214	2012		32	14	50	A
15	122.17	134.74	13706215	2012		32	14	50	A
16	130.20	142.93	13706216	2517	105	45	16	60	B
17	138.23	151.12	13706217	2517	110	45	16	60	B
18	146.27	159.29	13706218	2517	110	45	16	60	B
19	154.32	167.45	13706219	2517	115	45	16	60	B
20	162.37	175.61	13706220	2517	133	45	18	60	B
21	170.42	183.76	13706221	3020	143	51	25	75	B
22	178.48	191.90	13706222	3020	150	51	25	75	B
23	186.54	200.04	13706223	3020	159	51	25	75	B
24	194.60	208.17	13706224	3020	166	51	25	75	B
25	202.66	216.30	13706225	3020	175	51	25	75	B
26	210.72	224.43	13706226	3020	175	51	25	75	B
27	218.79	232.55	13706227	3020	175	51	25	75	B
28	226.86	240.67	13706228	3020	175	51	25	75	B
29	234.93	248.79	13706229	3020	175	51	25	75	B
30	243.00	256.90	13706230	3020	175	51	25	75	B
35	283.36	297.46	13706235	3030	175	76	25	75	B
38	307.58	321.77	13706238	3020	152	51	25	75	B
42	339.89	354.18	13706242	3030	175	76	25	75	B
45	364.12	378.48	13706245	3030	152	76	25	75	B
57	461.08	475.62	13706257	3525	198	51	35	100	C
76	614.64	629.36	13706276	3525	198	51	35	100	C
95	768.22	783.04	13706295	4030	216	76	40	115	C
114	921.81	936.70	137062B4	4040	216	102	40	115	C

Triplex (t2 = 14.15 mm., B3 = 72.72 mm.)

Teeth	PCD	OD	Item code	Bush	BD	BL	Bore		Type
							Min	Max	
17	138.23	151.12	13706317	2517		45	16	60	A
19	154.32	167.45	13706319	3030	130	76	35	75	B
21	170.42	183.76	13706321	3030	145	76	35	75	B
23	186.54	200.04	13706323	3535	160	89	35	100	B
25	202.66	216.30	13706325	3535	175	89	35	100	B
27	218.79	232.55	13706327	3535	175	89	35	100	B
30	243.00	256.90	13706330	3535	175	89	35	100	B
38	307.58	321.77	13706338	3525	178	64	35	100	B
45	364.12	378.48	13706345	4030	214	76	40	115	C
57	461.08	475.62	13706357	4030	216	76	40	115	C
76	614.64	629.36	13706376	4030	216	76	40	115	C

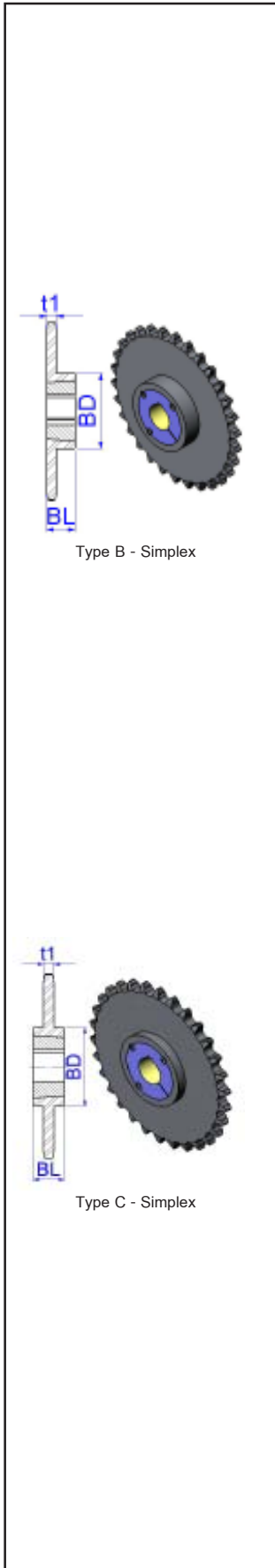
### ANSI 100 (Pitch 31.75 mm., 1.25 inch)

Simplex (t1 = 17.6 mm.)

Teeth	PCD	OD	Item code	Bush	BD	BL	Bore		Type
							Min	Max	
11	112.70	127.18	13707111	1615	63	38	14	42	B
12	122.67	137.54	13707112	1615	71	38	14	42	B
13	132.67	147.86	13707113	2012	91	32	14	50	B
14	142.68	158.16	13707114	2012	91	32	14	50	B
15	152.71	168.42	13707115	2517	108	45	16	60	B
16	162.75	178.67	13707116	2517	108	45	16	60	B
17	172.79	188.90	13707117	2517	108	45	16	60	B
18	182.84	199.11	13707118	2517	108	45	16	60	B
19	192.90	209.32	13707119	2517	108	45	16	60	B
20	202.96	219.51	13707120	2517	108	45	16	60	B
21	213.03	229.70	13707121	2517	108	45	16	60	B
22	223.10	239.88	13707122	2517	108	45	16	60	B
23	233.17	250.05	13707123	2517	108	45	16	60	B
24	243.25	260.22	13707124	2517	108	45	16	60	B
25	253.32	270.38	13707125	2517	108	45	16	60	B
26	263.41	280.53	13707126	2517	108	45	16	60	B
28	283.57	300.84	13707128	3020	135	51	25	75	B
30	303.75	321.13	13707130	3020	135	51	25	75	B
32	323.92	341.41	13707132	3020	135	51	25	75	B
35	354.20	371.82	13707135	3020	135	51	25	75	B
36	364.29	381.95	13707136	3020	135	51	25	75	B
38	384.48	402.22	13707138	3020	135	51	25	75	B
40	404.67	422.47	13707140	3020	135	51	25	75	B
45	455.15	473.10	13707145	3020	135	51	25	75	B
48	485.45	503.46	13707148	3020	135	51	25	75	B
54	546.05	564.18	13707154	3020	135	51	25	75	C
57	576.35	594.53	13707157	3020	135	51	25	75	C
60	606.66	624.88	13707160	3020	135	51	25	75	C
70	707.68	726.02	13707170	3535	172	89	35	100	C
72	727.89	746.24	13707172	3535	172	89	35	100	C
76	768.30	786.69	13707176	3535	172	89	35	100	C
80	808.71	827.14	13707180	3535	172	89	35	100	C
84	849.13	867.59	13707184	3535	172	89	35	100	C
90	909.76	928.25	13707190	3535	172	89	35	100	C
95	960.28	978.80	13707195	3535	172	89	35	100	C

Duplex (t2 = 17.0 mm., B2 = 52.8 mm.)

Teeth	PCD	OD	Item code	Bush	BD	BL	Bore		Type
							Min	Max	
15	152.71	168.42	13707215	2517		45	16	60	A
16	162.75	178.67	13707216	2517		45	16	60	A
17	172.79	188.90	13707217	2517		45	16	60	A
18	182.84	199.11	13707218	2517		45	16	60	A
19	192.90	209.32	13707219	2517		45	16	60	A
21	213.03	229.70	13707221	3020	140	55	25	75	B
22	223.10	239.88	13707222	3020	140	55	25	75	B
23	233.17	250.05	13707223	3020	140	55	25	75	B
24	243.25	260.22	13707224	3020	140	55	25	75	B
25	253.32	270.38	13707225	3020	140	55	25	75	B
27	273.49	290.69	13707227	3030	140	76	25	75	B
28	283.57	300.84	13707228	3030	140				



### ANSI 120 (Pitch 38.1 mm., 1.5 inch)

Simplex (t1 = 23.5 mm.)

Teeth	PCD	OD	Item code	Bush	BD	BL	Bore		Type
							Min	Max	
11	135.23	152.62	13708111	2012	91	32	14	50	B
12	147.21	165.05	13708112	2012	91	32	14	50	B
13	159.20	177.44	13708113	2517	108	45	16	60	B
14	171.22	189.79	13708114	2517	108	45	16	60	B
15	183.25	202.11	13708115	2517	108	45	16	60	B
16	195.29	214.40	13708116	3020	133	51	25	75	B
17	207.35	226.68	13708117	3020	133	51	25	75	B
18	219.41	238.94	13708118	3020	133	51	25	75	B
19	231.48	251.18	13708119	3020	133	51	25	75	B
20	243.55	263.41	13708120	3020	133	51	25	75	B
21	255.63	275.64	13708121	3020	133	51	25	75	B
22	267.72	287.85	13708122	3020	133	51	25	75	B
23	279.80	300.06	13708123	3020	133	51	25	75	B
24	291.90	312.26	13708124	3020	133	51	25	75	B
25	303.99	324.45	13708125	3020	133	51	25	75	B
26	316.09	336.64	13708126	3020	133	51	25	75	B
27	328.19	348.83	13708127	3020	133	51	25	75	B
28	340.29	361.01	13708128	3020	133	51	25	75	B
29	352.39	373.18	13708129	3020	133	51	25	75	B
30	364.49	385.36	13708130	3020	133	51	25	75	B
32	388.71	409.70	13708132	3020	133	51	25	75	B
38	461.37	482.66	13708138	3030	140	76	25	75	B
40	485.60	506.97	13708140	3030	140	76	25	75	C
42	509.83	531.27	13708142	3030	140	76	25	75	C
45	546.19	567.72	13708145	3030	140	76	25	75	C
48	582.54	604.15	13708148	3030	140	76	25	75	C
50	606.78	628.44	13708150	3030	140	76	25	75	C
54	655.26	677.01	13708154	3535	172	89	35	100	C
57	691.62	713.43	13708157	3535	172	89	35	100	C
60	727.99	749.85	13708160	3535	172	89	35	100	C
68	824.97	846.95	13708168	3535	172	89	35	100	C
72	873.46	895.49	13708172	3535	172	89	35	100	C
76	921.96	944.03	13708176	3535	172	89	35	100	C
95	1152.33	1174.56	13708195	4040	219	102	40	115	C
96	1164.46	1186.69	13708196	4040	219	102	40	115	C
114	1382.72	1405.06	137081B4	4040	219	102	40	115	C

### ANSI 160 (Pitch 50.8 mm., 2 inch)

Simplex (t1 = 29.4 mm.)

Teeth	PCD	OD	Item code	Bush	BD	BL	Bore		Type
							Min	Max	
11	180.31	203.49	1370A111	2517	108	45	16	60	B
12	196.28	220.07	1370A112	3020	135	51	25	75	B
13	212.27	236.58	1370A113	3020	135	51	25	75	B
14	228.29	253.05	1370A114	3020	135	51	25	75	B
15	244.33	269.48	1370A115	3535	172	89	35	100	B
16	260.39	285.87	1370A116	3535	172	89	35	100	B
17	276.46	302.24	1370A117	3535	172	89	35	100	B
18	292.55	318.58	1370A118	3535	172	89	35	100	B
19	308.64	334.91	1370A119	3535	172	89	35	100	B
20	324.74	351.22	1370A120	3535	172	89	35	100	B
21	340.84	367.52	1370A121	3535	172	89	35	100	B
22	356.96	383.80	1370A122	3535	172	89	35	100	B
23	373.07	400.08	1370A123	3535	172	89	35	100	B
24	389.19	416.34	1370A124	3535	172	89	35	100	B
25	405.32	432.60	1370A125	3535	172	89	35	100	B
26	421.45	448.86	1370A126	3535	172	89	35	100	B
27	437.58	465.10	1370A127	3535	172	89	35	100	B
28	453.72	481.34	1370A128	3535	172	89	35	100	B
30	485.99	513.81	1370A130	3535	172	89	35	100	B
32	518.28	546.26	1370A132	3535	172	89	35	100	C
38	615.17	643.54	1370A138	4040	219	102	40	100	C
40	647.47	675.96	1370A140	4040	219	102	40	100	C
45	728.25	756.95	1370A145	4040	219	102	40	100	C
48	776.72	805.54	1370A148	4040	219	102	40	100	C
54	873.68	902.68	1370A154	4040	219	102	40	100	C
57	922.16	951.24	1370A157	4545	248	114	55	110	C
60	970.65	999.80	1370A160	4545	248	114	55	110	C
64	1035.30	1064.54	1370A164	4545	248	114	55	110	C
70	1132.29	1161.63	1370A170	4545	248	114	55	110	C

### ANSI 140 (Pitch 44.45 mm., 1.75 inch)

Simplex (t1 = 23.5 mm.)

Teeth	PCD	OD	Item code	Bush	BD	BL	Bore		Type
							Min	Max	
11	157.77	178.05	13709111	2517	108	45	16	60	B
12	171.74	192.56	13709112	2517	108	45	16	60	B
13	185.74	207.01	13709113	3020	135	51	25	75	B
14	199.76	221.42	13709114	3020	135	51	25	75	B
15	213.79	235.79	13709115	3020	135	51	25	75	B
16	227.84	250.14	13709116	3020	135	51	25	75	B
17	241.91	264.46	13709117	3020	135	51	25	75	B
18	255.98	278.76	13709118	3020	135	51	25	75	B
19	270.06	293.04	13709119	3020	135	51	25	75	B
20	284.14	307.32	13709120	3020	135	51	25	75	B
21	298.24	321.58	13709121	3020	135	51	25	75	B
22	312.34	335.83	13709122	3020	135	51	25	75	B
23	326.44	350.07	13709123	3020	135	51	25	75	B
24	340.54	364.30	13709124	3020	135	51	25	75	B
25	354.65	378.53	13709125	3020	135	51	25	75	B
26	368.77	392.75	13709126	3020	135	51	25	75	B
27	382.88	406.96	13709127	3020	135	51	25	75	B
28	397.00	421.17	13709128	3020	135	51	25	75	B
30	425.24	449.58	13709130	3020	135	51	25	75	B
32	453.49	477.98	13709132	3020	135	51	25	75	B
38	538.27	563.10	13709138	3535	172	89	35	100	C
40	566.54	591.46	13709140	3535	172	89	35	100	C
42	594.81	619.81	13709142	3535	172	89	35	100	C
45	637.22	662.33	13709145	4040	219	102	40	115	C
48	679.63	704.85	13709148	4040	219	102	40	115	C
54	764.47	789.85	13709154	4040	219	102	40	115	C
57	806.89	832.34	13709157	4040	219	102	40	115	C
60	849.32	874.83	13709160	4040	219	102	40	115	C
68	962.47	988.11	13709168	4040	219	102	40	115	C
72	1019.04	1044.74	13709172	4040	219	102	40	115	C
76	1075.62	1101.37	13709176	4040	219	102	40	115	C
95	1344.39	1370.32	13709205	4040	219	102	40	115	C