

PLM - Versions

Order information:

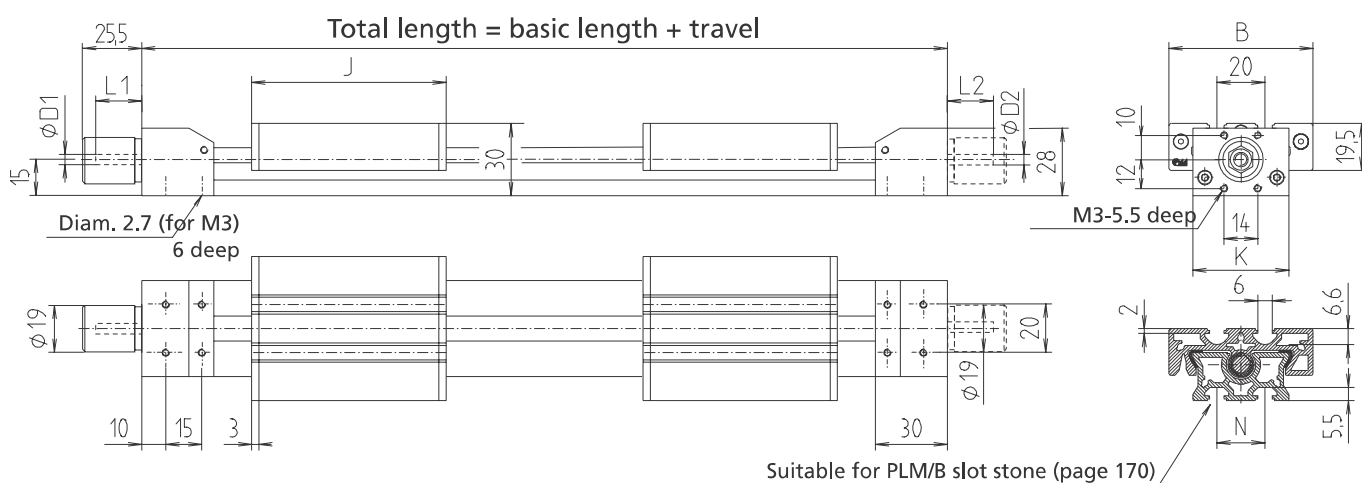
- Please specify total travel when placing an order
- Longer travel lengths on request

Version ■ **Right and lefthand thread actuator**



Code No.	Type	Screw	Basic length	B	D1	D2	J	K	L1	L2	N
FPC2020SA	20x20	M 8x1	182	40	5	5	61	20	21	–	0
FPC2020TA	20x20	M 8x1	182	40	5	5	61	20	–	21	0
FPC2020UA	20x20	M 8x1	182	40	5	5	61	20	21	21	0
FPC4020SA	40x20	M 8x1	222	60	5	6	81	40	21	–	20
FPC4020TA	40x20	M 8x1	222	60	5	6	81	40	–	21	20
FPC4020UA	40x20	M 8x1	222	60	5	6	81	40	21	21	20

_____ Total length = basic length + travel [mm]



[mm]

Max. travel	Mass [kg]	
	Basic length	per 100 mm travel
780	0,32	0,05
780	0,32	0,05
745	0,32	0,05
740	0,41	0,09
740	0,41	0,09
705	0,41	0,09