



# SWITCHBLADE, SNOW PUSHER-LP OWNER'S MANUAL



Owner \_\_\_\_\_

Date Purchased \_\_\_\_ / \_\_\_\_ / \_\_\_\_

Model # SWBLD, SPLP      SERIAL # \_\_\_\_\_

Revision 1 - 09/17

# TABLE OF CONTENTS

<b>PREFACE</b> .....	3
General Comments, Before Operation, Safety Alert Symbol, Parts and Service, Sound and Vibration.	
<b>SAFETY PRECAUTIONS</b>	
SAFETY STATEMENTS.....	4
GENERAL SAFETY PRECAUTIONS.....	5
EQUIPMENT SAFETY PRECAUTIONS.....	6
<b>DECALS</b>	
Importance & Replacing Safety Decals.....	6
<b>INSTALLATION AND OPERATION</b>	
Assembly, Attaching, Warning.....	5
Detaching.....	5
Operation.....	5
Adjustments.....	5
<b>MAINTENANCE</b>	
Shoe Adjustment.....	7
Pivot Grease Fitting.....	8
<b>REPLACEMENT PARTS</b>	
Items #, Parts Name, & Parts Number.....	8-10

# PREFACE

## GENERAL COMMENTS

Congratulations on the purchase of your new product! This product was carefully designed and manufactured to give you many years of dependable service. Limited maintenance (mainly cleaning and lubricating) is required to keep it in top working condition. Always observe all maintenance procedures and safety precautions in this manual. Also be aware of any safety decals located on the product and on any equipment on which the attachment is mounted.

This manual has been designed to help you do a better, safer job. Read this manual carefully and become familiar with its contents.



**WARNING:** Never allow anyone to operate this unit without reading the “Safety Precautions” and “Operating Instructions” sections of this manual. When parking the machine, always choose hard level ground and set the parking brake prior to exiting the machine so the unit cannot roll.

Unless noted otherwise, right and left sides are determined from the operator’s control position when facing forward.

**NOTE:** The illustrations and data used in this manual were current (according to the information available to us) at the time of printing, however, we reserve the right to redesign and change the attachment as may be necessary without notification.

## BEFORE OPERATION

The primary responsibility for safety with this equipment falls to the operator. Make sure the equipment is operated only by trained individuals that have read and understand this manual. If there is any portion of this manual or function you do not understand, contact your local authorized dealer or the manufacturer to obtain further assistance. Keep this manual available for reference. Provide the manual to any new owners and/or operators.

## SAFETY ALERT SYMBOL



**WARNING:** This is the “Safety Alert Symbol” used by this industry. This symbol is used to warn of potential hazards that can cause serious injury or death. Be sure to read all warnings carefully, they are included for your safety and for the safety of others working with you.

## PARTS AND SERVICE

Use only manufacturer replacement parts. Aftermarket or substitute parts may not meet the required standards.

Record the model number of your unit on the cover of this manual. This will assist our parts department to insure that you receive the proper parts for your particular product.

## SOUND AND SERVICE

Sound pressure levels and vibration data for this attachment are influenced by many different parameters: some items are listed below (not inclusive):

- prime mover type, age, condition, with or without cab enclosure and configuration
- operator training, behavior, stress level
- job site organization, working material condition, environment

Based on the uncertainty of the prime mover, operator, and job site, it is not possible to get precise machine and operator sound pressure levels or vibration levels for this attachment.

## SAFETY STATEMENT



THIS SYMBOL BY ITSELF OR WITH THE WORD “WARNING” IN THIS MANUAL IS USED TO CALL YOUR ATTENTION TO INSTRUCTIONS THAT ARE VITAL TO YOUR PERSONAL SAFETY OR THE SAFETY OF OTHERS. FAILURE TO FOLLOW THESE INSTRUCTIONS CAN RESULT IN INJURY OR DEATH.



**DANGER**

THIS SIGNAL WORD INDICATES A HAZARDOUS SITUATION WHICH, IF NOT AVOIDED, WILL RESULT IN DEATH OR SERIOUS INJURY.



**WARNING**

THIS SIGNAL WORD INDICATES A HAZARDOUS SITUATION WHICH, IF NOT AVOIDED, COULD RESULT IN DEATH OR SERIOUS INJURY.



**CAUTION**

THIS SIGNAL WORD INDICATES A HAZARDOUS SITUATION WHICH, IF NOT AVOIDED, COULD RESULT IN MINOR OR MODERATE INJURY.

**NOTICE**

NOTICE IS USED TO ADDRESS PRACTICES NOT RELATED TO PHYSICAL INJURY.

## GENERAL SAFETY PRECAUTIONS

**WARNING!**



### **READ MANUAL PRIOR TO INSTALLATION**

Improper installation, operation, or maintenance of this equipment could result in serious injury or death. Operators and maintenance personnel should read this manual, as well as all manuals related to this equipment and the prime mover thoroughly before beginning installation, operation, or maintenance. **FOLLOW ALL SAFETY INSTRUCTIONS IN THIS MANUAL.**



### **READ AND UNDERSTAND ALL SAFETY STATEMENTS**

Read all safety decals and safety statements in all manuals prior to operating or working on this equipment. Know and obey all OSHA regulations, local laws, and other professional guidelines for your operation. Know and follow best work practices when assembling, maintaining, repairing, mounting, removing, or operating this equipment.



### **KNOW YOUR EQUIPMENT**

Know your equipment's capabilities, dimensions, and operations before operating. Visually inspect your equipment before you start, and never operate equipment that is not in proper working order with all safety devices intact. Check all hardware to ensure it is tight. Make certain that all locking pins, latches, and connection devices are properly installed and secured. Remove and replace any damaged, fatigued, or excessively worn parts. Make certain all safety decals are in place and are legible. Keep decals clean, and replace them if they become worn or hard to read. **Contact Berlon or your dealer if you need to replace decals.**

## GENERAL SAFETY PRECAUTIONS

### WARNING!



#### **DO NOT MODIFY MACHINE OR ATTACHMENTS**

Modifications of the attachment may weaken the structural integrity or impair the function, life expectancy, performance or safety of the attachment. If repairs are needed use only the manufacturer's original parts following manufacturer's instructions.

### WARNING!



#### **LOWER OR SUPPORT RAISED EQUIPMENT**

Do not work under raised booms without supporting them. Do not use support material made of concrete blocks, logs, buckets, barrels, or any other material that could suddenly collapse or shift positions. Make sure support material is solid, not decayed, warped, twisted, or tapered. Lower booms to ground level or on solid material. Lower booms and attachments to the ground before leaving the cab or operator's station.

### WARNING!



#### **PROTECT AGAINST FLYING DEBRIS**

Always wear proper safety glasses, goggles, or a face shield when driving pins in or out, or when any operation causes dust, flying debris, or any other hazardous material.

### WARNING!



#### **SAFELY MAINTAIN AND REPAIR EQUIPMENT**

- Do not wear loose clothing or any accessories that can catch in moving parts. If you have long hair, cover or secure it so that it does not become entangled in the equipment.
- Work on a level surface in a well-lit area.
- Use properly grounded electrical outlets and tools.
- Use the correct tools for the job at hand. Make sure they are in good condition for the task required.
- Wear the protective equipment specified by the tool manufacturer.

### WARNING!



#### **SAFELY OPERATE EQUIPMENT**

Do not operate equipment until you are completely trained by a qualified operator in how to use the controls, know its capabilities, dimensions, and all safety requirements. See your machine's manual for these instructions.

- Keep all step plates, grab bars, pedals, and controls free of dirt, grease, debris, and oil.
- Never allow anyone to be around the equipment when it is operating.
- Do not allow riders on the attachment or the prime mover.
- Do not operate the equipment from anywhere other than the correct operator's position.
- Never leave equipment unattended with the engine running, or with this attachment in a raised position.
- Do not alter or remove any safety feature from the prime mover or this attachment.
- Know your work site safety rules as well as traffic rules and flow. When in doubt on any safety issue, contact your supervisor or safety coordinator for an explanation.

## EQUIPMENT SAFETY PRECAUTIONS

### WARNING!



#### WATCH OUT FOR UTILITIES

Observe overhead electrical and other utility lines. Be sure equipment will clear them.

### WARNING!



#### OPERATING THE SNOWPUSHER

- Do not exceed the lifting capacity of your prime mover.
- Operate only from the operator's station.
- When traveling on rough terrain, reduce speed to avoid "bouncing". Loss of steering may result.
- When operating on slopes, drive up and down, not across. Avoid steep hillside operation, which could cause the prime mover to overturn.
- Reduce speed when driving over rough terrain, on a slope, or turning, to avoid overturning the vehicle.
- An operator must not use drugs or alcohol, which can change his or her alertness or coordination. An operator taking prescription or over-the-counter drugs should seek medical advice on whether or not he or she can safely operate equipment.
- Before exiting the prime mover, lower the attachment to the ground, apply the brakes, turn off the prime mover's engine and remove the key.
- Never lift the lowest portion of the attachment plate higher than 5 feet above the ground.
- Do not lock the auxiliary hydraulics of your prime mover in the "ON" position.
- Do not use the top of this product as a step. Under certain conditions - this area can be slippery.

### WARNING!



#### TRANSPORTING THE SNOWPUSHER

- When transporting on a trailer: Secure attachment using tie down accessories that are capable of maintaining attachment stability.
- When driving on public roads use safety lights, reflectors, Slow Moving Vehicle signs etc., to prevent accidents. Check local government regulations that may affect you.
- Do not drive close to ditches, excavations, etc., cave in could result causing serious injury or death.

## DECALS

**IMPORTANT:** Keep all safety decals clean and legible. Replace all missing, illegible, or damaged safety decals. When replacing parts with safety decals attached, the safety decals must also be replaced. Safety decals are available, free of charge, from your local dealer or Berlon Industries, LLC.

**REPLACING SAFETY DECALS:** Clean the area of application with nonflammable solvent, then wash the same area with soap and water. Allow the surface to fully dry. Remove the backing from the safety decal, exposing the adhesive surface. Apply the safety decal to the position shown in the diagram above and smooth out any bubbles.

## INSTALLATION AND OPERATION

### ATTACHING

Install attachment by following the instructions in your loader operator's manual for installation of an attachment. Two hydraulic hoses will need to be connected to the loader's hydraulic remote valve.

### WARNING!



**MAKE SURE THAT THE ATTACHMENT IS SECURELY LATCHED TO THE ATTACHMENT MECHANISM OF YOUR LOADER. FAILURE TO DO SO COULD RESULT IN ATTACHMENT SEPARATION WHICH COULD LEAD TO SERIOUS INJURY OR DEATH.**

### DETACHING

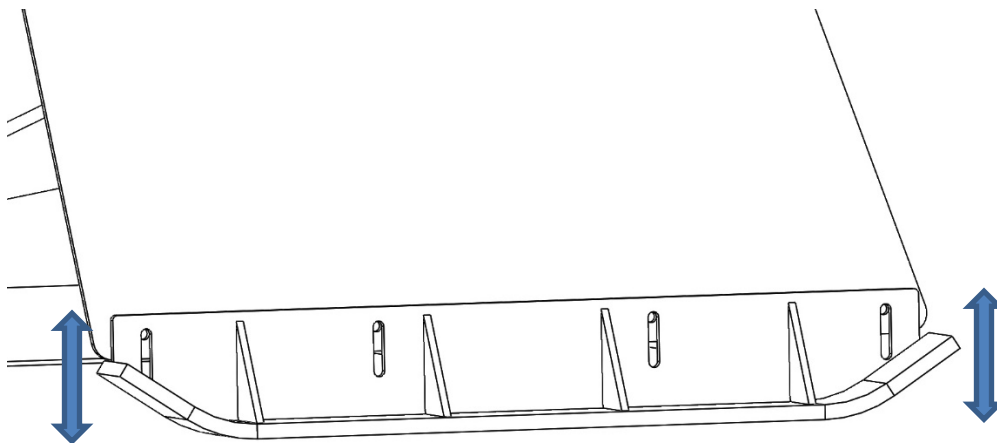
With your machine on level ground, lower the arms of the loader making sure that the attachment is on the ground. Follow the loader operator's manual instructions for removing an attachment.

### OPERATION

- Run the loader's engine at idle to engage the main hydraulics for tilt adjustment.
- Increase engine rpm to desired operating speed.
- Raise the attachment when backing up.
- Tilt the Snow Pusher forward or back depending on if using the pusher or the back-drag blade.
- Reduce rpm to idle before disengaging remote hydraulics (if equipped).

### ADJUSTMENTS

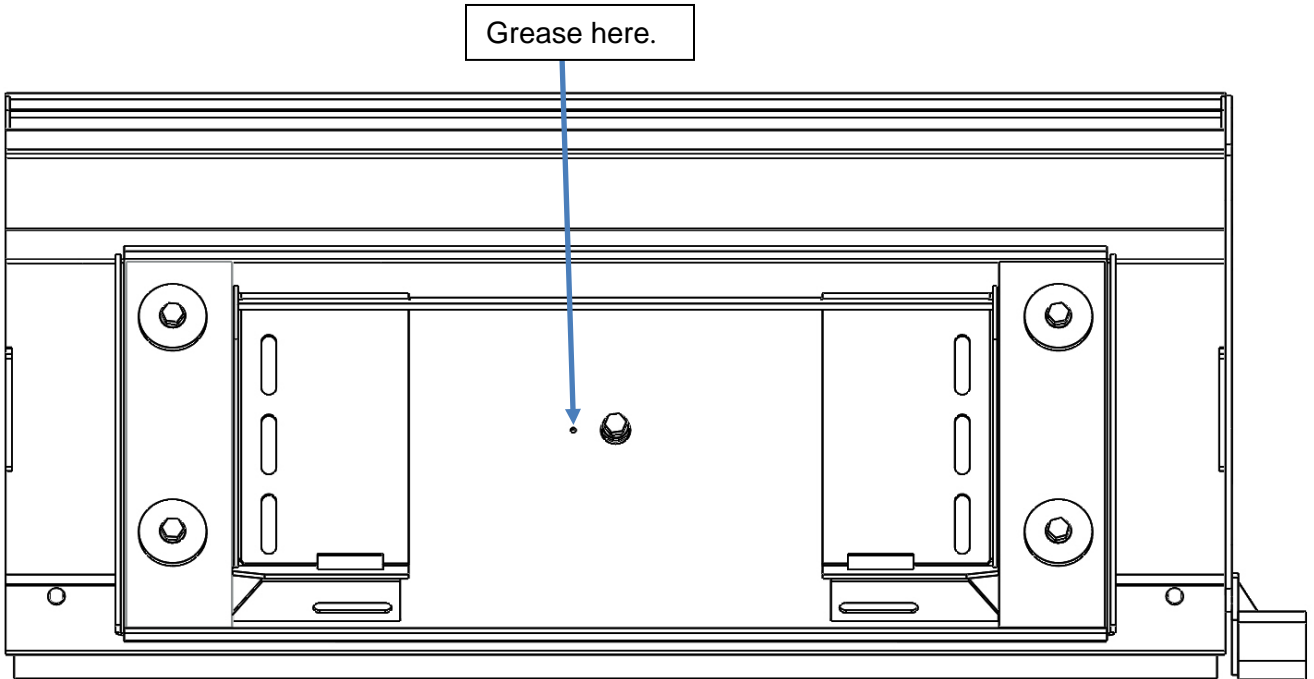
- The pusher can be tilted forward or backward or tilted all the way forward to use the back-drag blade.
- Shoes can be adjusted up or down for desired height of edge. Loosen the 4 bolts (per side), and adjust up or down to desired height, shown below (product may have holes instead of slots).



# MAINTENANCE

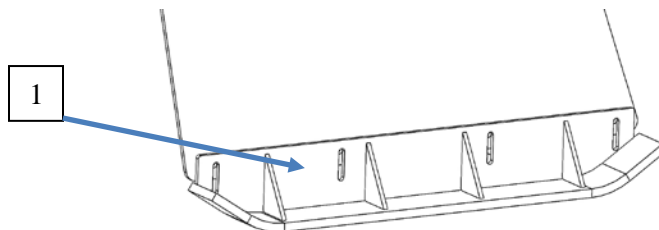
Regular maintenance includes checking the blades and shoes for wear and adjusting if necessary, or replacing when worn out or damaged.

On oscillating units, add grease every 8 hours of use at the grease location near the center of the mount. Shown below.



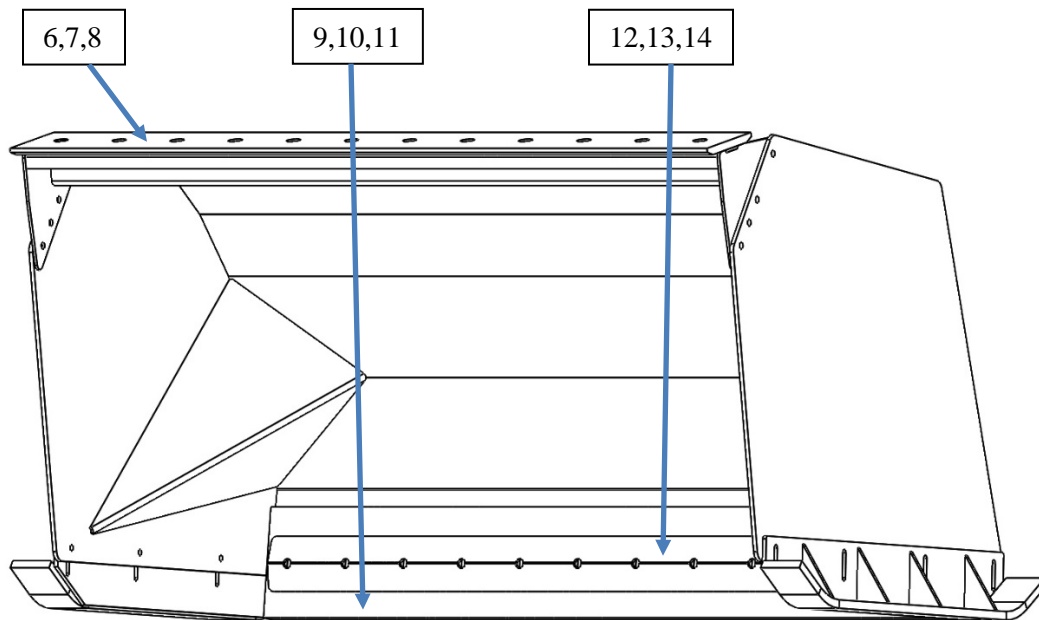
## REPLACEMENT PARTS

Item #	Part Name	Part Number
1	Shoe	103-0618
2	Bolt 1/2"-13 x 1 3/4" (4 per shoe)	510-0012
3	Washer 1/2" (2 per bolt)	510-0300
4	Lock Washer 1/2"	510-0401
5	Nut 1/2"-13	510-0203





Item #	Part Name	Part Number
6	BOCE 72	101-2004
7	BOCE 84	101-2007
8	BOCE 96	101-2018
9	RE-6	280-0005
10	RE-8	280-0002
11	RE-10	280-0004
12	RE-6 Clamp	103-0106
13	RE-8 Clamp	103-0108
14	RE-10 Clamp	103-0110



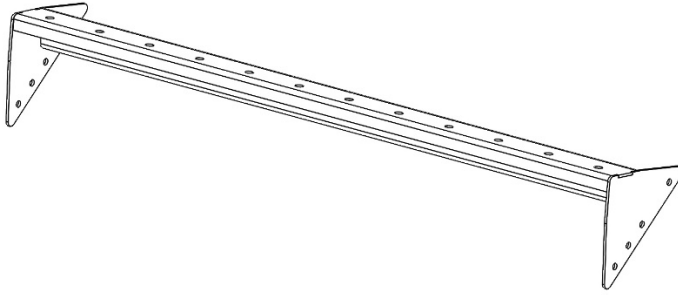
### Rubber Edge Hardware

Item #	Part Name	Part Number
15	Bolt ½"-13 x 3"	510-0111
16	Washer ½" (2 per bolt)	510-0300
17	Lock Washer ½"	510-0401
18	Nut ½"-13	510-0203

### Bolt-On Cutting Edge Hardware

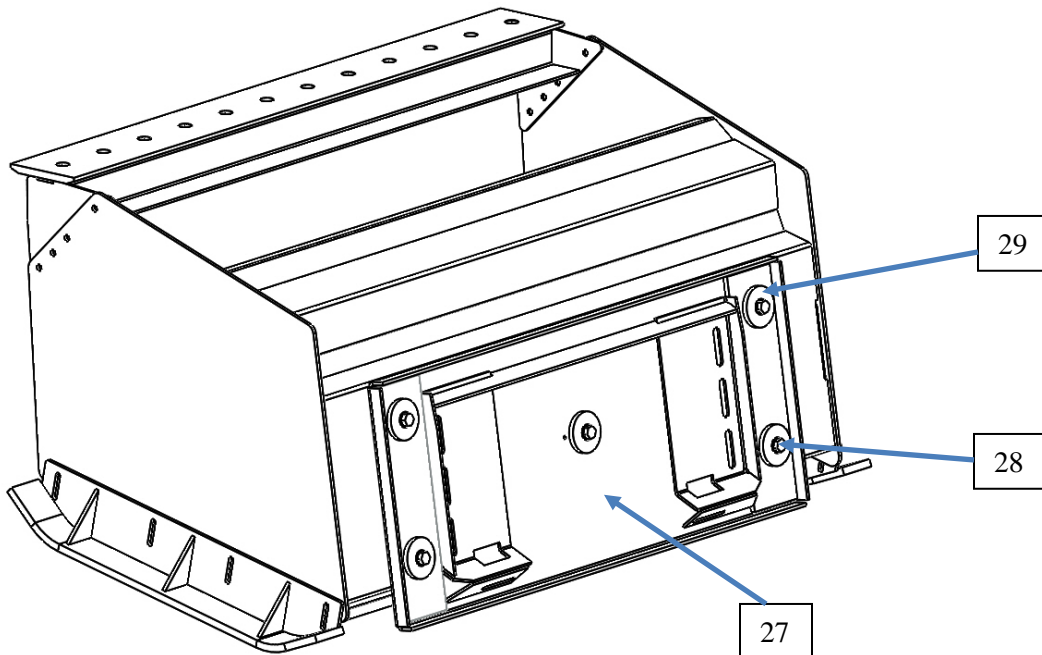
Item #	Part Name	Part Number
19	Plow Bolt ¾"-16 x 2"	510-0019
20	Nut ¾"-16	510-0206

## Pullback Brackets



Item #	Part Name	Part Number
21	6' Pullback	103-0001
22	8' Pullback	103-0002
23	10' Pullback	103-0003
24	Bolt	
25	Washer	
26	Nut	

## Oscillating Mount Parts



Item #	Part Name	Part Number
27	Mount Plate	8000120
28	Bolt $\frac{3}{4}$ "-10 x 2"	510-0018
29	Washer	8000122
30	Pin (Under washers)	8000123