



Before using this Hog Crusher®, study and understand the entire Owner's Manual.

Serial Number _____



HCR
Hog Crusher™
Material Recycler
Owner's Manual



Hog Crusher®
EZG MANUFACTURING
1-800-417-9272

EZG Manufacturing
405 Watertown Road
Waterford, Ohio 45786
(740) 749-3512 or 1-800-417-9272
Fax (740) 962-2037 www.ezgmfg.com

TABLE OF CONTENTS

INTRODUCTION.....	3
ABOUT THIS MANUAL.....	3
GENERAL INFORMATION.....	3
SAFETY INFORMATION.....	3
SAFETY PRECAUTIONS.....	4-5
CALIFORNIA PROPOSITION 65 WARNING.....	6
OPERATING INSTRUCTIONS.....	6
DAILY MAINTENANCE.....	7
REPLACING CARBIDE BULLETS.....	7
OBTAINING SPARE PARTS.....	7
CHANGING GEAR HUB OIL.....	8
DRUM REPLACEMENT.....	8-10
NOTES.....	11
SERVICE RECORDS.....	12
WARNING LABELS AND LOCATIONS	13
HCR50L FRAME ASSEMBLY.....	14
HCR50L PARTS LIST.....	15
HCR50H FRAME ASSEMBLY.....	16
HCR50H PARTS LIST.....	17
WARRANTY.....	18
WARRANTY REGISTRATION.....	19

INTRODUCTION

Congratulations on purchasing one of the finest pieces of masonry equipment on the market today! If this is your first EZG Manufacturing product, you will not be disappointed. If you have previously owned an EZG Manufacturing product, you will find the same high quality and dependability that you have come to expect from EZG Manufacturing.

ABOUT THIS MANUAL





The purpose of this manual is to inform the owner/employer/and the operator, how to safely operate this piece of equipment, and make them aware of any hazards. It also contains important information regarding assembly, set up, operation, and maintenance. It is the Owner/Employer's responsibility to make sure that anyone who operates this machine understands all safety warnings. If you do not understand any items in this manual, please contact the dealer where this product was purchased, or the manufacturer at the number listed throughout this manual. If you have any suggestions about how to make this manual easier to understand, contact the manufacturer. Keep this manual available for reference wherever this piece of equipment is being used and make it available to any operators.

GENERAL INFORMATION

Illustrations in this manual may show details or components that may not be the same as your machine. Continuing improvements to the design of this machine may have caused changes that are not included in this manual. The information in this document is subject to change without notice.

SAFETY INFORMATION

The following safety symbols and signal words will be used throughout this manual and on the product, for your safety and the safety of others, please become familiar with their meaning and heed their warnings.

	This symbol, either used alone or with a signal word, is used to call your attention to instructions involving your safety and/or the safety of others. Failure to follow these instructions will likely result in personal injury or death.
 DANGER	This signal word is used to identify a hazard which, if not avoided, will result in death or serious injury.
 WARNING	This signal word is used to identify a hazard which, if not avoided, could result in death or serious injury.
 CAUTION	This signal word is used to identify a hazard which, if not avoided, could result in minor or moderate injury.
NOTICE	This signal word is used to identify a hazard which, if not avoided, could result in property or equipment damage. It also may be used for special instructions related to performance, maintenance or general items.

SAFETY PRECAUTIONS



DANGER

Failure to obey the following safety instructions will result in DEATH or SERIOUS INJURY.

Locking levers on skid steer must be properly down and locked to ensure Hog Crusher™ does not fall.

Keep hands clear while machine is operating.

Never enter the equipment safety zone (20 ft / 6 m) when the Hog Crusher™ is in use.



WARNING

Failure to obey the following safety instructions could result in DEATH or SERIOUS INJURY.

Read and understand entire manual before operating the Hog Crusher™.

For your safety and the safety of others, replace any missing or damaged warning decals by contacting the manufacturer at 1-800-417-9272.

Make sure anyone operating the Hog Crusher™ is thoroughly familiar with its operation. Keep all unauthorized and untrained personnel, especially children, away from Hog Crusher™.

Never operate machine with safety guards or safety devices removed. Do not alter any safety guards.

Stay clear of hopper while machine is running. Keep all body parts, clothing, jewelry and solid objects away from all moving parts.

Never perform any work on the Hog Crusher™ while it is running. Before working on or cleaning the Hog Crusher™, shut off skid steer and disconnect hydraulic supply hoses.

Never operate the Hog Crusher™ under the influence of alcohol, drugs, or medications.

This Hog Crusher™ has been designed and built as a material recycling station, for the reduction of materials such as concrete block, brick, stone, asphalt and unreinforced concrete and should not be used for anything other than its intended purpose.

Consult forklift manufacturers specifications to ensure load capacity is not exceeded.

Model	Empty Weight	Max Gross Weight
HCR	1500 lbs. (680.3 kg)	3500 lbs. (1587.6 kg)

Do not exceed Maximum Gross Weight

Never stand under an elevated Hog Crusher™.

SAFETY PRECAUTIONS



WARNINGS (*continued*)

Never attempt to ride the Hog Crusher™.

Never leave the operators seat with the Hog Crusher™ running.

Operate only in properly ventilated non explosive environments.

Avoid breathing dust produced while using the Hog Crusher™. Dust may contain crystalline silica and may cause serious health problems.

Always know the location of nearest fire extinguishers, first aid kit, and emergency personnel phone numbers in case of emergency.



CAUTION

Failure to obey the following safety instructions could result in MINOR or MODERATE INJURY.

Inspect all hoses, fasteners, bolts and welds for nicks, cracks, cuts, damage, wear or looseness before each use. Repair as needed.

Always wear approved PPE, including glasses, hearing protection, hard hats, and ventilation masks when operating a Hog Crusher™.

Do not use the Hog Crusher™ as a lifting device or with accessories or attachments not recommended by EZG Manufacturing, as damage to equipment or operator might result.

Avoid contact with hot hydraulic fluid.

Allow system to cool before performing any repairs or service.

NOTICE

Use only factory authorized parts.

Used lubricants such as engine and hydraulic oil, and hazardous waste must be taken to an authorized disposal or recycling center.

California - Proposition 65 Warning

Engine exhaust and some of its constituents, and some dust created by power sanding, sawing, grinding, drilling, and other construction activities contains chemicals known to the State of California to cause cancer, birth defects and other reproductive harm. Some examples of these chemicals are:

Lead from lead based paints - Crystalline silica from bricks -Cement and other masonry products -Arsenic and chromium from chemically treated lumber

Your risk from these exposures varies, depending on how often you do this type of work. To reduce your exposure to these chemicals: ALWAYS work in a well ventilated area, and work with approved safety equipment, such as dust masks that are specially designed to filter out microscopic particles.

OPERATING INSTRUCTIONS



WARNING

This equipment is to be operated by trained and qualified personnel over the age of 18. Death or serious injury can result.

1. Attach the Hog Crusher™ to your skid steer. Consult skid steer owner's manual for hookup procedure.
2. Connect hydraulic hoses to skid steer.
Inspect hoses and fittings for damage and debris before connecting to machine. Do not let hoses drag on ground while in operation.
3. Cycle both hydraulic motions to verify the Hog Crusher™ is operating correctly.
4. Rotate Hog Crusher™ horizontally and scoop up material.
5. Rotate Hog Crusher™ back to upright position.
6. Engage rotor in the forward rotation via the auxiliaries on the skid steer.
7. Hold bottom of the Hog Crusher™ several inches off the ground. Crushed material will discharge through slot in bottom.

In the event the rotor stops rotating, momentarily reverse direction.

For best performance, tip hopper slightly forward while crushing. It may also be necessary to rock machine back and forth to aid in the flow of material.

DAILY MAINTENANCE

1. For maximum performance inspect carbide bullets daily. Do not operate if found damaged or missing. Replace immediately.
2. Inspect cleaner plate and breaker plate before each use. Do not use if plates are bent or worn or weld has cracks.
3. Check and grease all grease fittings.
4. Check all hydraulic hoses and equipment for leaks. Fix any leaks before operating the Hog Crusher™.
5. Check all welds and bolts. If a cracked weld is found, do not operate the Hog Crusher™ until repaired by qualified personnel. Tighten any loose bolts.
6. Store properly in a clean dry location.

REPLACING CARBIDE BULLETS



WARNING

Stay clear of Hog Crusher™ while rotating drum to position teeth. Death or serious injury can result.

1. A special tool is required to remove the carbide bullets from the rotor. One has been provided to you and additional ones may be purchased.
2. Rotate rotor until desired carbide bullet is toward charge opening.
3. Shut down machine and disconnect hydraulic supply hoses to prevent accidental starting of Hog Crusher™.
4. Place removal tool in slot in carbide bullet.
5. Using a hammer, strike removal tool. Carbide bullet is press fit and should slide out of holder.

OBTAINING SPARE PARTS

Spare parts for your Hog Crusher™ may be obtained by the following procedure:

1. Record the information from the serial number tag located on the frame.
2. Using the parts reference table in this manual, record the part number or component.
3. Contact your local Hog Crusher™ dealer or EZG Manufacturing at 1-800-417-9272 with the information recorded.

CHANGING GEAR HUB OIL

1. Gear hub oil should be changed every 1000 hours.
2. Lay Hog Crusher™ flat on level surface.
3. Rotate drum until drain hole is aligned with access hole in gearbox mount.
4. Disconnect hydraulic supply hoses to prevent accidental starting of equipment.
5. Place suitable container below gearbox to catch used oil.
6. Remove drain plug, allow used oil to drain completely.
7. Stand the Hog Crusher™ in upright (crushing) position, fill the gearbox with 30 ounces (.88 liters) of EP-90 gear oil or equivalent and reinstall drain plug.

DRUM REPLACEMENT

Removal

1. Before beginning make sure you have received the HCR-STAND from supplier to hold Hog Crusher™ upright while replacing drum.
2. Remove all Carbide Bullets (item 8) per instructions in this manual.
3. Rotate Hog Crusher™ into the scoop position and unhook from skid steer.
4. Use a 3/16" Allen wrench to loosen both set screws on the bearing race.
5. Use a 3/4" wrench/socket to remove Cheek Plates (item 3) on the bearing side.
6. Attach Safety Stand (item 33) to the back of the Hog Crusher™ on the opposite side as the Hydraulic Motor.
7. Use clevis (customer supplied) in the holes in the top and back of the frame to attach a strap (customer supplied) to the Hog Crusher™.
8. Attach crane or forklift to strap and slowly lift Hog Crusher™. The HCR will start to rotate to the side. When fully lifted, slowly set the HCR on front cutting edge and safety stand.



WARNING

Stay clear of Hog Crusher™ while rotating. Death or serious injury can result.

DRUM REPLACEMENT

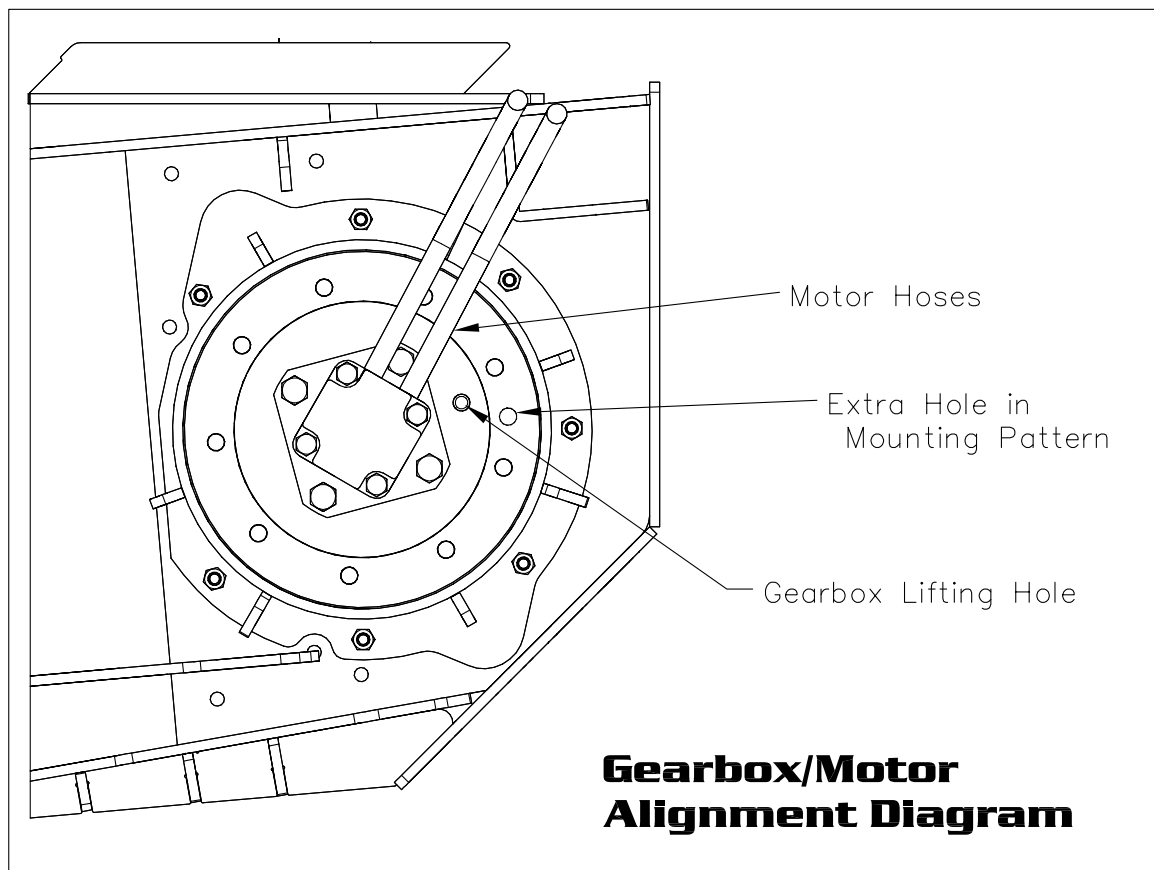
9. Use a 9/16" wrench/socket to remove (8) bolts (item 30) that hold on Outer and Inner Motor Guards (item 15 & 16). Remove guards and set aside.
Note orientation of guards to ease reassembly.
10. Use a 3/4" wrench/socket to remove Cheek Plate (item 3) on motor side, Cleaner Plate (item 4), Breaker Plate (item 5), and Secondary Breaker Plate (item 26).
Note the direction the hoses are pointed to ease reassembly.
11. Use a 1/2" Allen wrench to remove (10) 5/8" SHCS bolts (item 14) holding Gearbox (item 10) to Mount (item 12). Gearbox/rotor assembly may fall away from mount as bolts are removed.
12. Use a 3/4" wrench/socket to remove nuts (item 18) from carriage bolts (item 17) holding Gearbox Mount. Remove Gearbox Mount and set aside.
13. Remove (4) nuts (item 18) from carriage bolts (item 17) holding bearing (item 2)
14. Screw 1/2"-13 bolts (customer supplied) into threaded holes on the bearing body. Slowly "jack" bearing from shaft, making sure to tighten each side evenly.
Note: Spray a penetrating lubricant on bearing and shaft to aid in removal.
15. Using 5/8"-11 eye bolts (customer supplied) attach a strap to threaded holes in top of Gearbox.
16. Attach crane or forklift to strap and slowly lift Gearbox/Rotor Assembly from frame turning the Rotor to allow the Bullet Holders (item 7) to clear cutouts in frame.
Note: The rotor can only be removed one direction. Check Rotor in both directions to locate most clearance. Bullet holders are patterned. The rotor will only turn (1) revolution (45° per holder) as it comes out.
17. Using 4"x4" blocks for shoring, set Gearbox/Rotor assembly off to the side leaving it in the vertical position.
18. Use a 3/4" wrench to remove crimp nuts (item 9A) holding the Gearbox to the Rotor. Use crane or forklift to lift Gearbox from rotor and set aside. Disregard rotor.

Installation

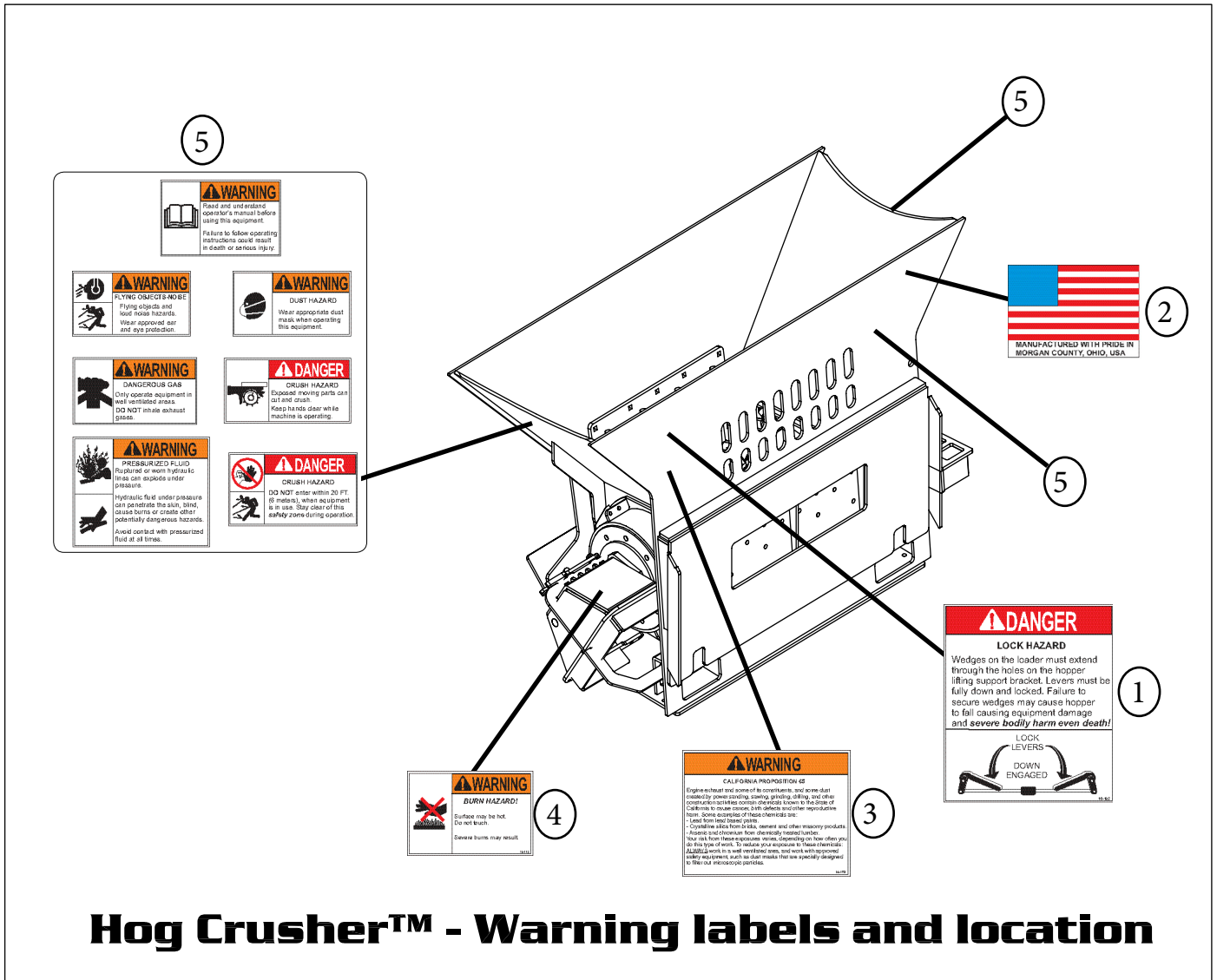
19. Install gearbox onto NEW Rotor using provided hardware.
20. Install Bearing (item 2) onto Frame using same hardware as before and tighten.
Note: Apply a liberal amount of Never-Seize to the inside race of the bearing to aid in assembly and future disassembly.
21. Slowly lower gearbox/Rotor Assembly into frame making sure to rotate as you go to keep the holders aligned with slots.
22. When Rotor Shaft reaches bearing, align shaft with bearing. Slowly lower Rotor into bearing, checking that the bearing is sliding on the Rotor Shaft.

DRUM REPLACEMENT

23. Place Gearbox Mount on Frame/Gearbox and reinstall carriage bolts and SHCS using blue thread locker and existing hardware.
Note: Align Gearbox lifting hole in between offset Gearbox Mounting hole as shown in diagram below. Hose should be pointing towards back lower corner of Hog Crusher™ Frame.
24. Install Cheek Plates on motor side using existing hardware.
25. Install Motor Guards using existing hardware.
26. Install Cleaner Plate, Breaker Plate, and Secondary Breaker Plate using existing hardware.
27. Using crane or forklift and a strap, Lift Hog Crusher™, remove Safety Stand, and lower. HCR should be sitting uneven on the front lip and back edge.
28. With tension still on the strap, push HCR towards scoop position while slowly lowering crane or forklift.
29. The bearing has approximately 1/4" of travel, push bearing onto shaft approximately 1/8" and tighten set screws.
30. Install bearing side Cheek Plate using existing hardware.
31. Install Carbide Bullets.



WARNING LABELS AND LOCATIONS

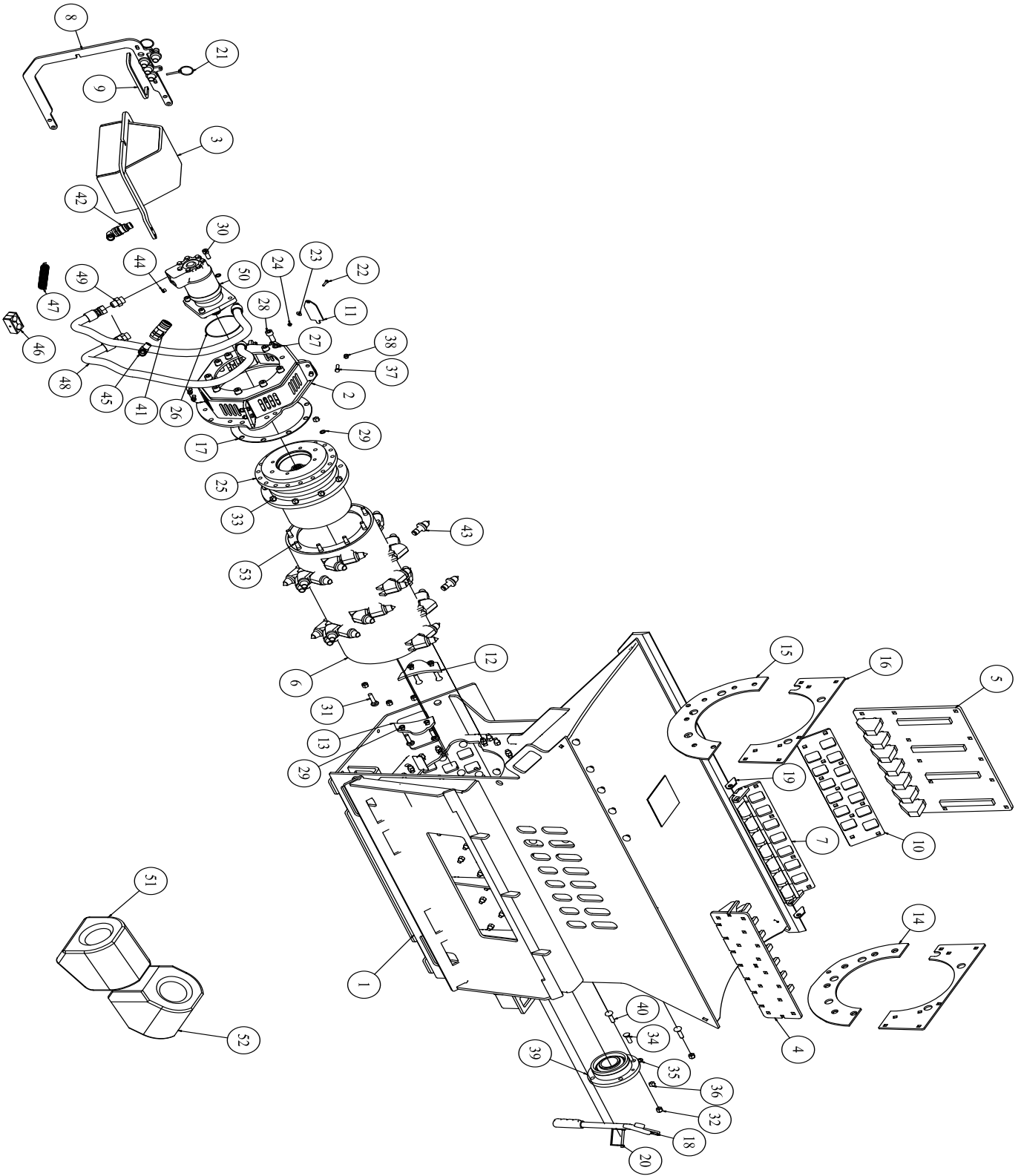


Hog Crusher™ - Warning labels and location

ITEM	PART NUMBER	DESCRIPTION	QUANTITY
1	16-192	Lock Levers Decal	1
2	16-106	U.S. Flag Decal	1
3	16-193	Proposition 65 Decal	1
4	16-112	Hot Surface Decal	1
5	16-194	HCR Cluster Decal	3

HCR50L FRAME ASSEMBLY

HCR50L Hog Crusher™ - Frame Assembly



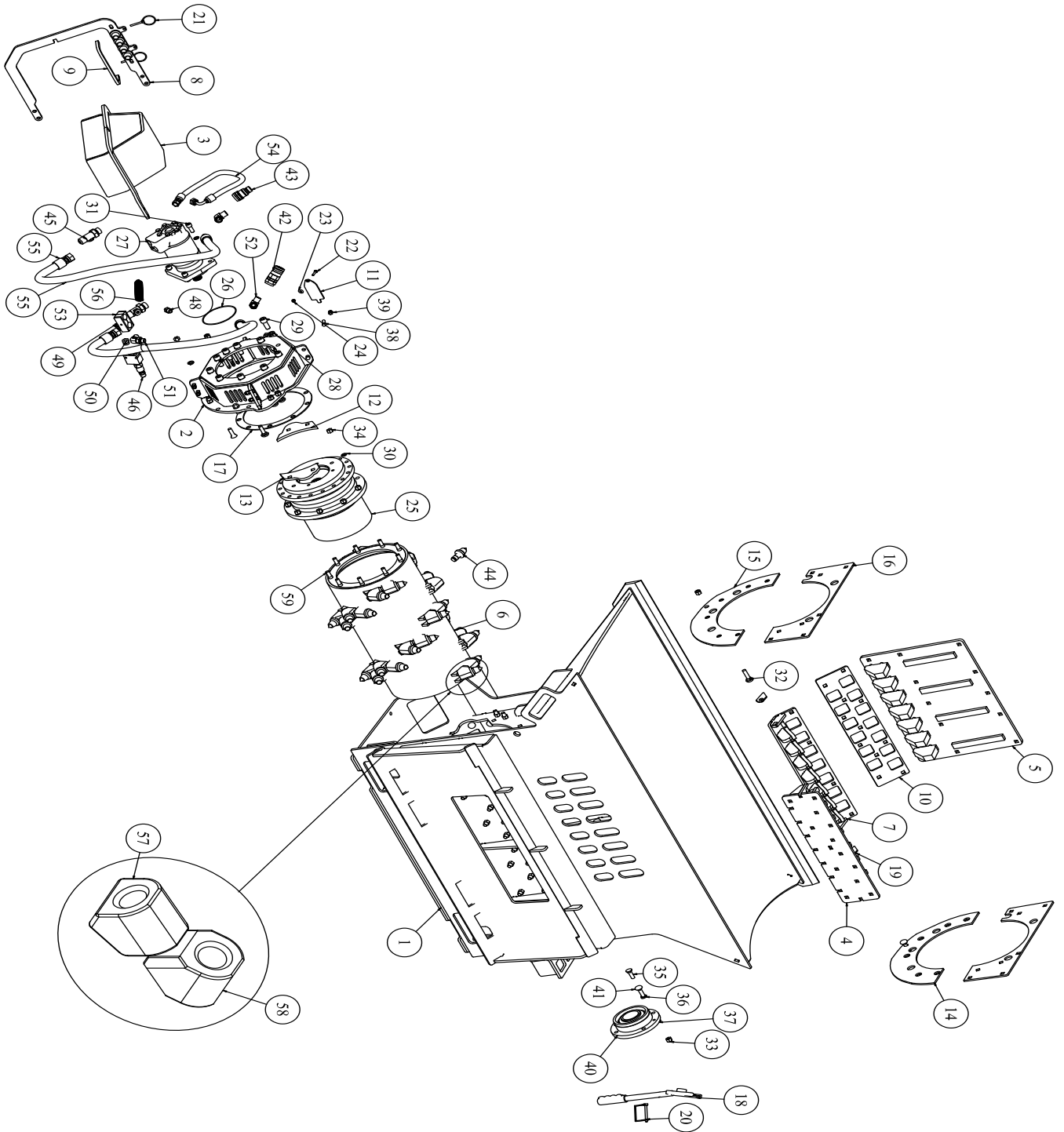
HCR50L PARTS LIST

PARTS LIST				PARTS LIST			
ITEM QTY	PART NUMBER	DESCRIPTION	ITEM QTY	PART NUMBER	DESCRIPTION		
1	HCR-A-1	HCR-Frame	27	09-121	5/8" Wedge Lock Washer		
2	HCR-A-5	HCR-Gearbox Mount/Hub	28	09-395	5/8"-11 x 1 1/2" SHCS		
3	HCR-A-10	HCR-Motor Guard Assembly-Inner	29	09-122	1/2" Lock Washer		
4	HCR-A-12	HCR-Cleaner Plate Assembly (Tricon Plate) S# 158+	30	09-336	1/2"-13 x 1 1/4" Socket Head Cap Screw		
4a	HCR-A-2	HCR-Cleaner Plate S# 1-157	31	09-351	1/2"-13 x 2 GR8 Carrage Bolt (HCR)		
5	HCR-A-13	HCR-Primary Breaker (Tricon Plate) S# 158+	32	09-208	1/2"-13 Nylon Nut		
5a	HCR-A-8	HCR-Primary Breaker Plate S# 28-157	33	09-222	1/2"-20 Crimp Nuts		
5b	HCR-A-3	HCR-Primary Breaker Plate S# 1-27	34	09-344	1/2"-13 x 1 3/4" Plow Bolt		
6	HCR-A-14	HCR-Rotor Assembly (Tricon Drum) S# 158+	35	09-103	1/2" Lock Washer		
6a	HCR-A-4	HCR-Rotor Assembly S# 1-157	36	09-209	1/2"-13 Nut		
7	HCR-A-15	HCR-2nd Breaker Plate (Tricon Plate) S# 158+	37	09-310	3/8"-16 x 1 1/4" GR5 Bolt		
7a	HCR-A-9	HCR-2nd Breaker Plate S# 1-157	38	09-204	3/8"-16 Nylon Nut		
8	RH-11	HCR-Motor Guard Outer "U"	39	15-103	Dodge Bearing (HCR)		
9	RH-48	HCR-Spare Bullet Lock	40	09-353	1/2"-13 x 1 3/4" GR8 Carrage Bolt (HCR)		
10	RH-79	HCR-Bottom Screen	41	02-221	1/2" Female Disconnect		
11	RH-63	HCR-Drive Hub Mount Cover Plate	42	02-222	1/2" Male Disconnect		
12	RH-65	HCR-Side Filler Plate-Top	43	20-134	Carbide Buller RS18 New Style S# 158+		
13	RH-66	HCR-Side Filler -Bottom	43a	20-125	Carb Buller RL08 (Old Style) S# 1-157		
14	RH-77-L	HCR-Lower Cheek Plate (Curved) Bearing End	44	02-282	1/4" ORBM Plug		
15	RH-77-R	HCR-Lower Cheek Plate (Curved) Drive End	45	02-298	1/2" Pipe TO 1/2" Pipe Street 90		
16	RH-78	HCR-Upper Cheek Plate (Tricon)(Wear Item)	46	20-104	Double Line Twin Clamp 3/4" Hose		
17	RH-94	HCR-Rotor Spacer	47	09-804	Spring (HCR)		
18	20-130	Hammer Puller (HCR)	48	HCR-A-7	HCR-Supply Hose Assembly		
19	RH-91	HCR-2nd Break Shim (Tri Blaze)	49	02-299	3/4" Male JIC to 3/4" Male O-Ring		
20	09-407	5/16" Latch Pin	50	02-401	TMK200 Hydraulic Motor (HCR Low Flow)		
21	09-400	1/4" Linch Pins	51	20-133M	C10HD Buller Holder New Style (Mod) S# 158+		
22	09-301	1/4"-20 x 1" GR5 All Thread Bolt	51a	20-124M	Carb Buller Holder (Mod) Old Style S# 1-157		
23	09-104	1/4" Flat Washer	52	20-133	C10HD Buller Holder (New Style) S# 158+		
24	09-200	1/4"-20 Nylon Nut	52a	20-124	Carb Buller Holder (Old Style) S# 1-157		
25	02-400	Gear Box (HCR)	53	09-346	641-1611 Wheel Stud 1/2"-20		
26	13-134	O-Ring (HCR)					

HCR50L Hog Crusher™ - Parts List

HCR50H FRAME ASSEMBLY

HCR50H Hog Crusher™ - Frame Assembly



HCR50H PARTS LIST

PARTS LIST			PARTS LIST				
ITEM	QTY	PART NUMBER	DESCRIPTION	ITEM	QTY	PART NUMBER	DESCRIPTION
1	1	HCR-A-1	HCR-Frame	30	21	09-122	1/2" Wedge Lock Washer
2	1	HCR-A-5	HCR-Gearbox Mount/Hub	31	4	09-336	1/2"-13 x 1 1/4" Socket Head Cap Screw
3	1	HCR-A-10	HCR-Motor Guard Assembly-Inner	32	2	09-351	1/2"-13 x 2 Gr8 Carrage Bolt (HCR)
4	1	HCR-A-12	HCR-Cleaner Plate Assembly (Tricon Plate) S# 158+	33	67	09-208	1/2"-13 Nylon Nut
4a	1	HCR-A-2	HCR-Cleaner Plate S# 1-157	34	9	09-222	1/2"-20 Crimp Nuts
5	1	HCR-A-13	HCR-Primary Breaker (Tricon Plate) S# 158+	35	12	09-344	1/2"-13 x 1 3/4" Plow Bolt
5a	1	HCR-A-8	HCR-Primary Breaker Plate S# 28-157	36	12	09-103	1/2" Lock Washer
5b	1	HCR-A-3	HCR-Primary Breaker Plate S# 1-27	37	12	09-209	1/2"-13 Nut
6	1	HCR-A-14	HCR-Rotor Assembly (Tricon Drum) S# 158+	38	8	09-310	3/8"-16 x 1 1/4" GR5 Bolt
6a	1	HCR-A-4	HCR-Rotor Assembly S# 1-157	39	8	09-204	3/8"-16 Nylon Nut
7	1	HCR-A-15	HCR-2nd Breaker Plate (Tricon Plate) S# 158+	40	1	15-103	Dodge Bearing (HCR)
7a	1	HCR-A-9	HCR-2nd Breaker Plate S# 1-157	41	65	09-353	1/2"-13 x 1 3/4" GR8 Carrage Bolt (HCR)
8	1	RH-11	HCR-Motor Guard Outer "U"	42	1	02-221	1/2" Female Disconnect
9	1	RH-48	HCR-Spare Bullet Lock	43	1	02-222	1/2" Male Disconnect
10	1	RH-79	HCR-Bottom Screen	44	36	20-134	Carbide Bullet RS18 New Style S# 158+
11	1	RH-63	HCR-Drive Hub Mount Cover Plate	44a	36	20-125	Carb Bullet RL08 (Old Style) S# 1-157
12	1	RH-65	HCR-Side Filler Plate-Top	45	2	02-243	GP-6400-12-12-4 Gage Port Male JIC x Male
13	1	RH-66	HCR-Side Filler Plate-Bottom	46	1	02-668	CR10-28-C-8T-N-24-24,0 Cartridge (HCR)
14	1	RH-77-L	HCR-Lower Check Plate (Curved) Bearing End	47	1	02-282	1/4" ORBM Plug
15	1	RH-77-R	HCR-Lower Check Plate (Curved) Drive End	48	1	02-239	6400-08-04.5 JIC x 1/4" ORB Adaptor
16	2	RH-78	HCR-Upper Check Plate (Tricon)(Wear item)	49	1	02-240	6407-04-04 1/4" Male ORB x 1/4" Male Union
17	1	RH-94	HCR-Rotor Spacer	50	1	02-242	1/2" Male ORB x 1/4" Female ORB Reducer
18	1	20-130	Hammer Puller (HCR)	51	1	02-277	1/2" JICM to 5/8" ORM 90 Adaptor
19	2	RH-91	HCR-2nd Break Shim (Tri-Blaze)	52	2	02-298	1/2" Pipe TO 1/2" Pipe Street 90
20	1	09-407	5/16" Latch Pin	53	1	20-104	Double Line Twin Clamp 3/4" Hose
21	2	09-400	1/4" Linch Pin	54	1	HCR-A-17	HCR-Relief Hose Assembly
22	1	09-301	1/4"-20 x 1" GR5 All Thread Bolt	55	1	HCR-A-7	HCR-Supply Hose Assembly
23	1	09-104	1/4" Flat Washer	56	1	09-804	Spring (HCR)
24	1	09-200	1/4"-20 Nylon Nut	57	1	20-133M	C10HD Bullet Holder New Style (Modified) S# 158+
25	1	02-400	Gear Box (HCR)	57a	1	20-124M	Carb Bullet Holder (Mod) Old Style S# 1-157
26	1	13-134	O-Ring (HCR)	58	1	20-133	C10HD Bullet Holder (HCR)(New Style) S# 158+
27	1	02-434	TMK315 Hydraulic Motor	58a	1	20-124	Carb Bullet Holder (Old Style) S# 1-157
28	10	09-121	5/8" Wedge Lock Washer	59	9	09-346	641-1611 Wheel Stud 1/2"-20
29	10	09-395	5/8"-11 x 1 1/2" SHCS				

HCR50H Hog Crusher™ - Parts List

WARRANTY

Limited Warranty

The manufacturer warrants that products manufactured shall be free from defects in material and workmanship that develop under normal use for a period of one year on all products from the date of shipment. The foregoing shall be the exclusive remedy of the buyer and the exclusive liability of the manufacturer. Our warranty excludes normal replaceable wear items, i.e. gaskets, wear parts, seals, O-rings, belts, drive chains, clutches, etc. Any equipment, part or product which is furnished by the manufacturer but manufactured by another, bears only the warranty given by such other manufacturer. (Manufacturer agrees to furnish free of charge a written description of problem or cause.) Warranty is voided by product abuse, alterations, use of equipment in applications for which it was not intended, use of non-manufacturer parts, or failure to follow documented service instructions. The foregoing warranty is exclusive of all other warranties whether written or oral, expressed or implied. No warranty of merchantability or fitness for a particular purpose shall apply. The agents, dealers, and employees of Manufacturer are not authorized to make modifications to this warranty, or additional warranties binding on the Manufacturer. Therefore, additional statements, whether oral or written, do not constitute warranty and should not be relied upon.

The Manufacturer's sole responsibility for any breach of the foregoing warranty provisions, with respect to any product or part not conforming to the Warranty or the description herein contained, is at its option (a) to repair, replace, or refund such product or parts upon the prepaid return thereof to location designated specifically by the Manufacturer. Product returns not shipped prepaid will be refused (b) as an alternative to the foregoing modes of settlement - the Manufacturer's dealer may repair defective units with reimbursement for expenses. A written description of problem or cause must accompany all warranty claims.

Except as set forth here in above and without limitation of the above, there are no warranties or other affirmation which extend beyond the description of the products on the fact here of, or as to operational efficiency, product reliability, or maintainability or compatibility with products furnished by others. In no event, whether as a result of breach of contract or warranty or alleged negligence, shall the Manufacturer, be liable for special or consequential damages including but not limited to: Loss of profits or revenue, loss of use of the product or any associated product, cost of capital, cost of substitute products, facilities or services or claims of customers. Manufacturer does not assume responsibility for any accident due to equipment modification.

No claim will be allowed for products lost or damaged in transit. Such claims should be filed with the carrier within fifteen days.

Effective July 20, 2005

EZG Manufacturing is the exclusive manufacturer of the patented Grout Hog® Grout Delivery System the Mud Hog® Hydraulic Mixing Station, the Hog Trough® mud pan, the Hog Cart™, the Hog Slopper™, the Booger Hog® Wall Scrubber, the Hog Leg® Wall Brace System, and the Hog Crusher™ Material Recycling System.

WARRANTY REGISTRATION

Contact:

Company:

Address:

City:

State:

Zip:

Tel:

Fax:

Cell:

Email:

Purchased From:

Direct Distributor:

Purchase Date:

Serial No.

**Fax Warranty Registration form to 740.962.2037
or submit online at www.ezgmfg.com by clicking
on “Products” then “Warranty Cards”.**

PLEASE COMPLETE THIS WARRANTY CARD, AND RETURN
VIA MAIL, FAX, OR E-MAIL, WITHIN 30 DAYS OF PURCHASE
TO VALIDATE YOUR MANUFACTURER’S WARRANTY
FOR ALL EZG MANUFACTURING PRODUCTS.
WARRANTY PROVISIONS OF THIS MACHINE ARE HANDLED
DIRECTLY THROUGH THE MANUFACTURER.

EZG MANUFACTURING * 1833 North Riverview Road, Malta, OH 43758
PHONE 1-800-417-9272 * Email: warranty@ezgmfg.com * FAX 740-962-2037

EZ SURVEY

Please take a minute to fill out the survey below so that we can better serve our customers.

1. Where did you first hear about EZG Manufacturing?
(check one)

Masonry Magazine Website Newsletter

Masonry Construction Referral

Other:

2. What influenced you to buy?

Quality Price Easy to use Other

3. Who is your sales representative?

4. Are you satisfied with the customer service you received?

Yes No

Explain:

5. What other EZG Manufacturing products do you own?

6. Would you like to be featured in our newsletter?

Yes No

If yes, where can we reach you and what is the best time?

Comments: