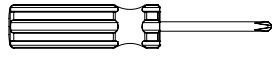


UNI ASSEMBLY INSTRUCTIONS

COMPONENT LIST

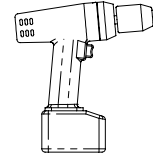
- Table Top (1)
- Top Plate (1)
- Base Plate (1)
- Column (1)
- 1/4" x 7/8" Screw (6)
- 1/4" x 1/2" Screw (4)

REQUIRED TOOLS

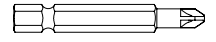


#2 Phillips Screwdriver

OR



Cordless Drill/Driver
(Do not over-tighten screws.)



#2 Phillips Bit

COMPONENTS



Top Plate

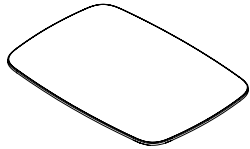
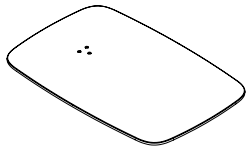


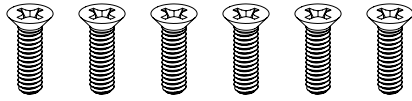
Table Top



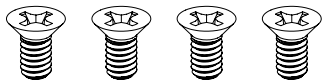
Base Plate



Column

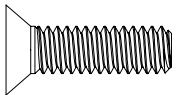


1/4" x 7/8" Screw

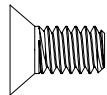


1/4" x 1/2" Screw

1:1 SCALE

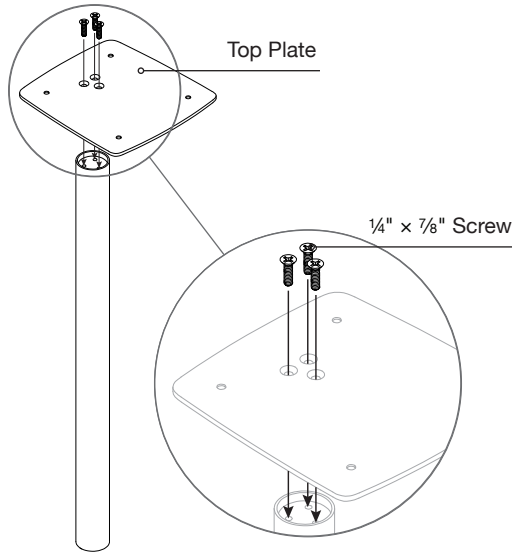


1/4" x 7/8" Screw

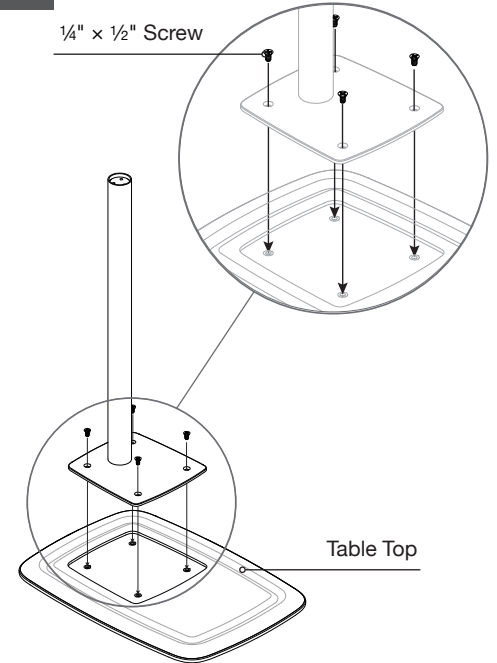


1/4" x 1/2" Screw

1



2



3

