

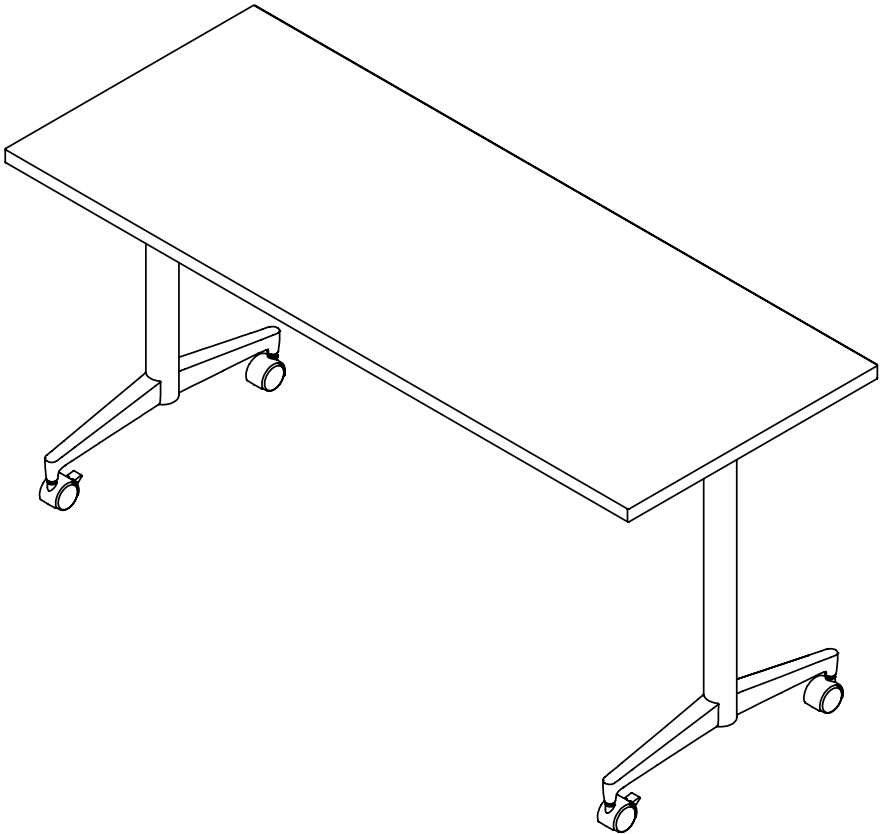
Parallon

FIXED TOP TABLE ASSEMBLY INSTRUCTIONS

Everything to the table.

When you want cohesion in spaces large, small, shared or separate, there's Parallon. It's a single collection with a singular look, offering an array of choices for a variety of environments—and all the features to fit.

Ensure design is never a distraction in the places where everyone needs to focus. Our Parallon line of training tables provides a unified and streamlined look from room to room.



To report any issues with this product, contact our customer experience team at: (866) 764-4111 or shopcx@sitonit.net.



CAUTION

Please read all assembly instructions before installing. Failure to follow instructions could result in product failure or potential injury.

Do not apply sudden weight to table.

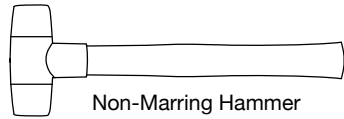
Do not exceed 200 lb static load weight capacity.

Recommended Tools

- Non-Marring Mallet/Hammer
- Cordless Drill/Driver
- #3 Phillips Bit
- $\frac{5}{32}$ " Hex Bit
- Magnetic Bit Holder
- $\frac{1}{2}$ " Combination Wrench
- $\frac{1}{4}$ " or $\frac{3}{8}$ " Drive Ratchet Wrench
- Socket Extension
- Flex Socket Adapter
- $\frac{1}{2}$ " Hex Socket



$\frac{1}{2}$ " Combination Wrench



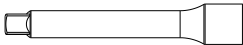
Non-Marring Hammer



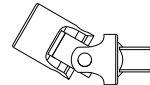
$\frac{1}{4}$ " or $\frac{3}{8}$ " Drive Ratchet Wrench



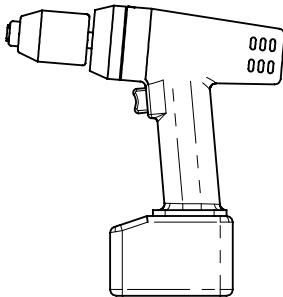
$\frac{1}{2}$ " Hex Socket



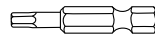
Socket Extension



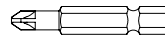
Flex Socket Adapter



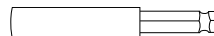
Cordless Drill/Driver



$\frac{5}{32}$ " Hex Bit



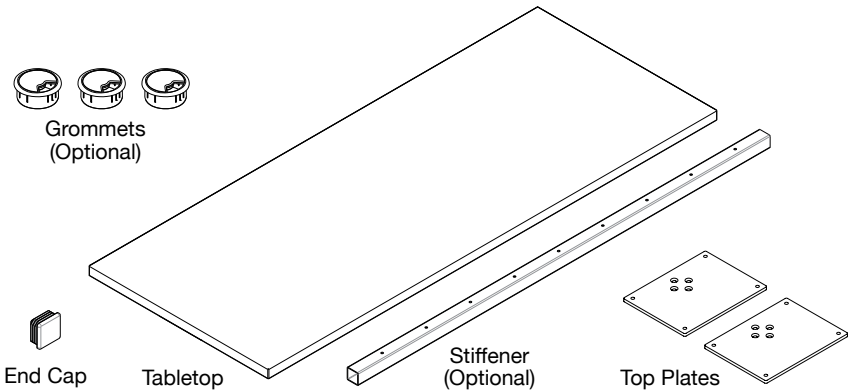
#3 Phillips Bit



Magnetic Bit Holder

Parts: Top and Frame

- Tabletop (1)
- Top Plates (2)
- End Cap (1)
- Grommet (Optional)
- Stiffener (Optional)
- **Pack A:**
 - #12 x 1" Screw (17)
- **Pack C:**
 - 1/4" x 1" Screw (8)



PACK A



#12 x 1" Screws

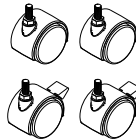
PACK C



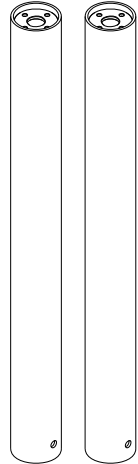
1/4 x 1" Screws

Parts: Columns and Feet

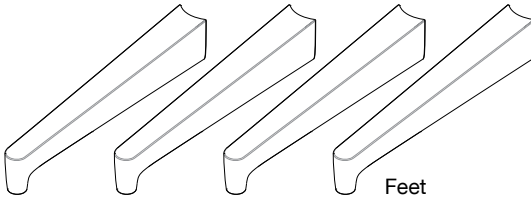
- Column (2)
- Foot (4)
- Caster (4, Optional)
- **Pack B:**
 - $\frac{5}{16}$ " \times $1\frac{1}{2}$ " Bolt (4)
 - $\frac{5}{16}$ " Nut (4)
 - Foot Attachment Plate (4)



Casters (Optional)

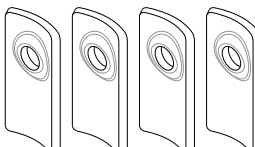


Columns

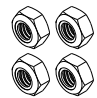


Feet

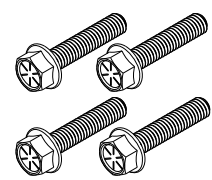
PACK B



Foot Attachment Plates



$\frac{5}{16}$ " Nuts



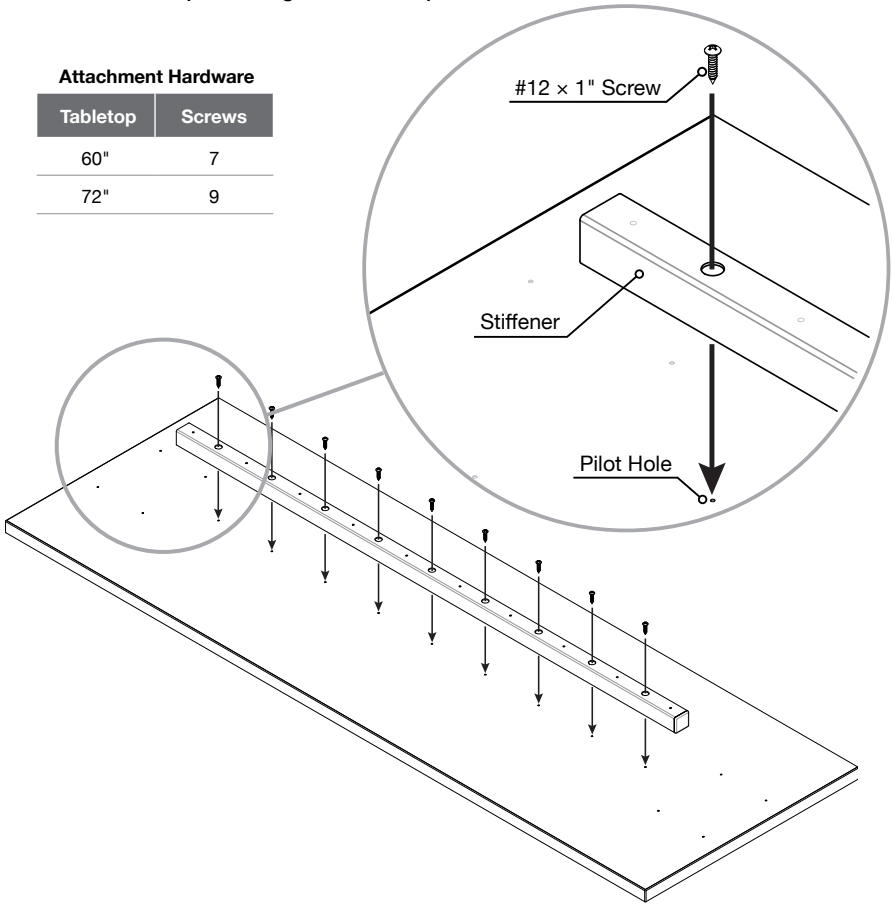
$\frac{5}{16}$ \times $1\frac{1}{2}$ " Bolts

Step 1: If using a 60" or 72" tabletop, attach the stiffener.

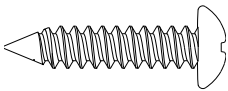
Continue to step 3 if using a 48" tabletop.

Attachment Hardware

Tabletop	Screws
60"	7
72"	9

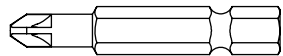


1:1 HARDWARE

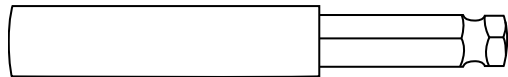


#12 x 1" Screw (Pack A)

TOOLS



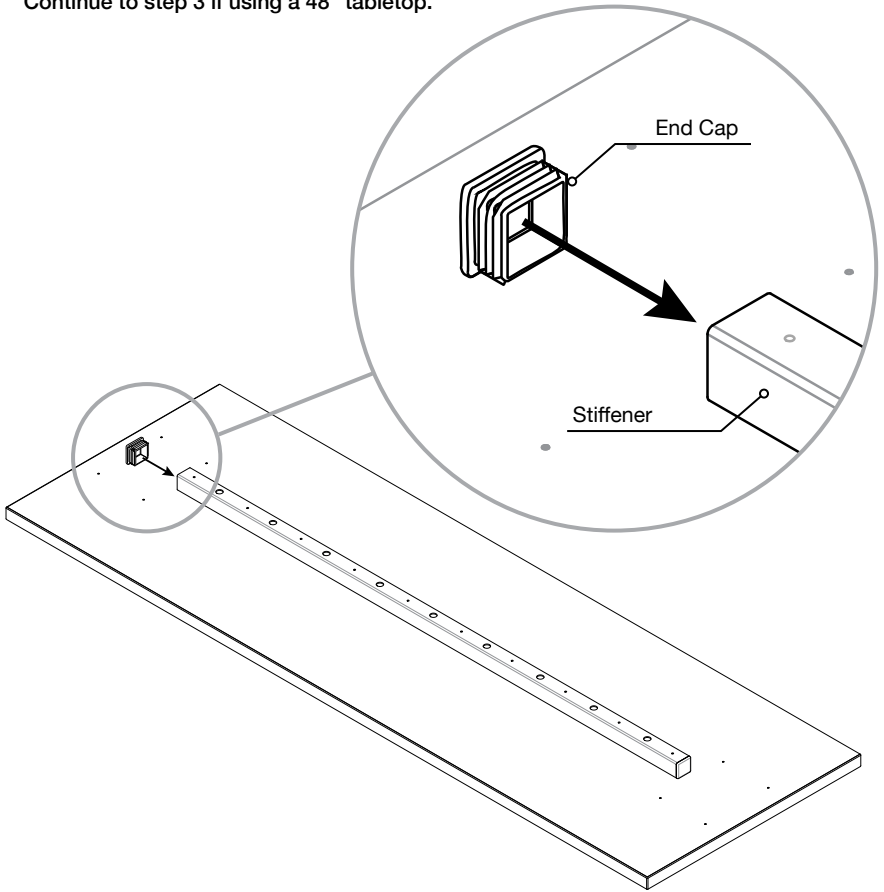
#3 Phillips Bit



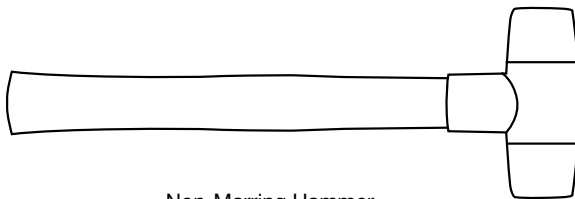
Magnetic Bit Holder

Step 2: If using a 60" or 72" tabletop, insert the end cap into the open side of the stiffener.

Continue to step 3 if using a 48" tabletop.



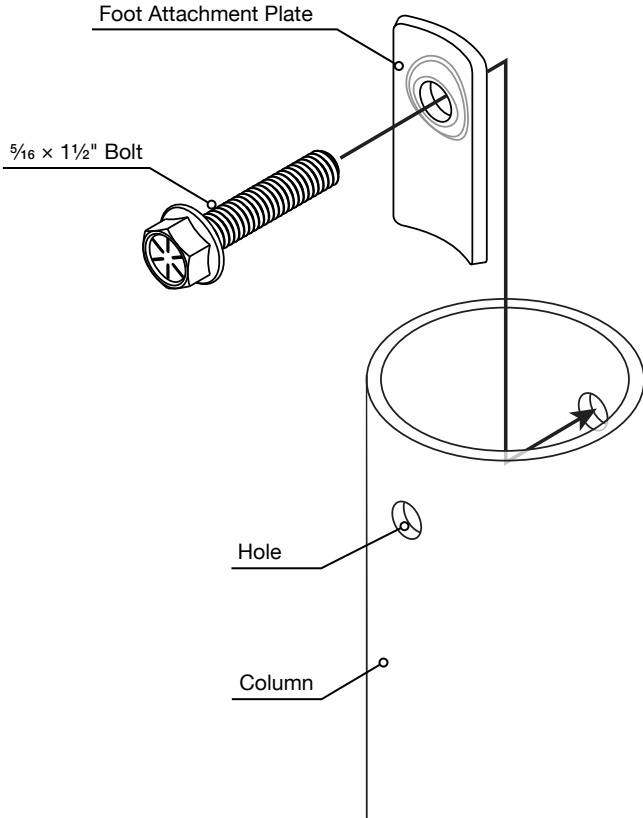
TOOLS



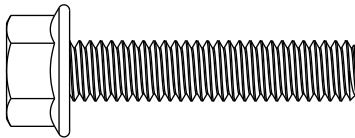
Non-Marring Hammer

Step 3: Slide the bolt through the foot attachment plate and column.

This step is repeated on each foot.



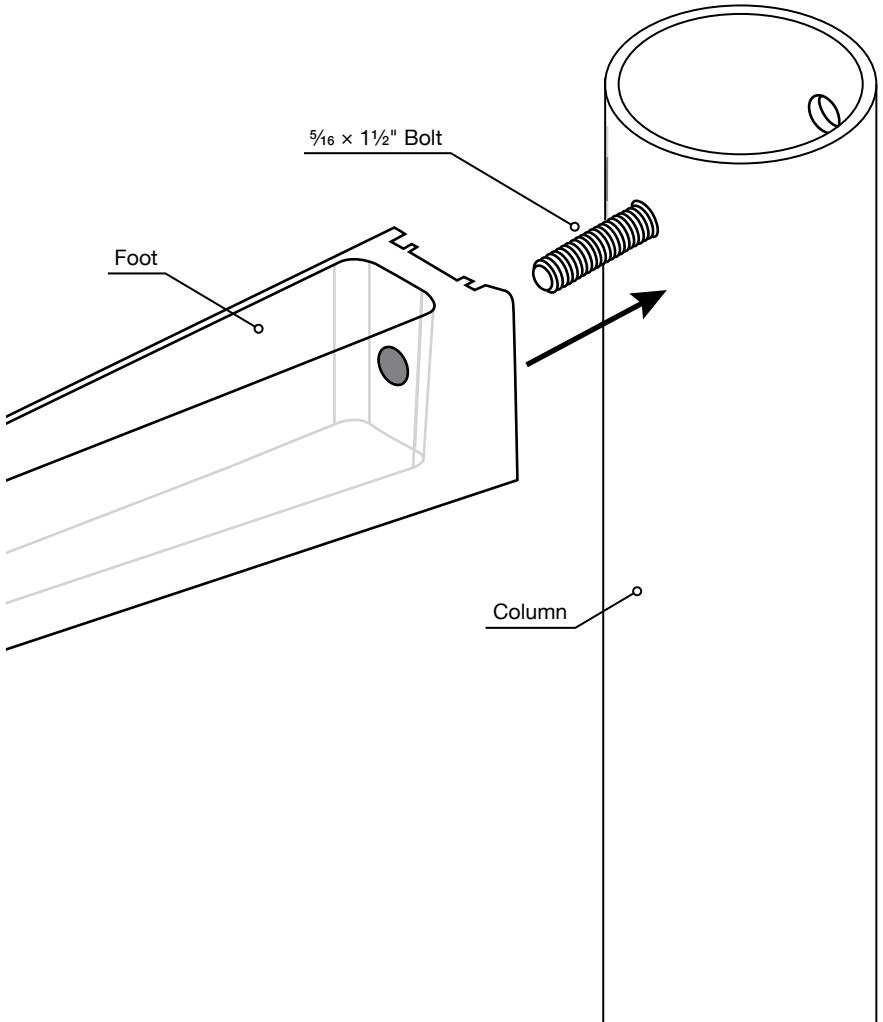
1:1 HARDWARE



$\frac{5}{16} \times 1\frac{1}{2}$ " Bolt (Pack B)

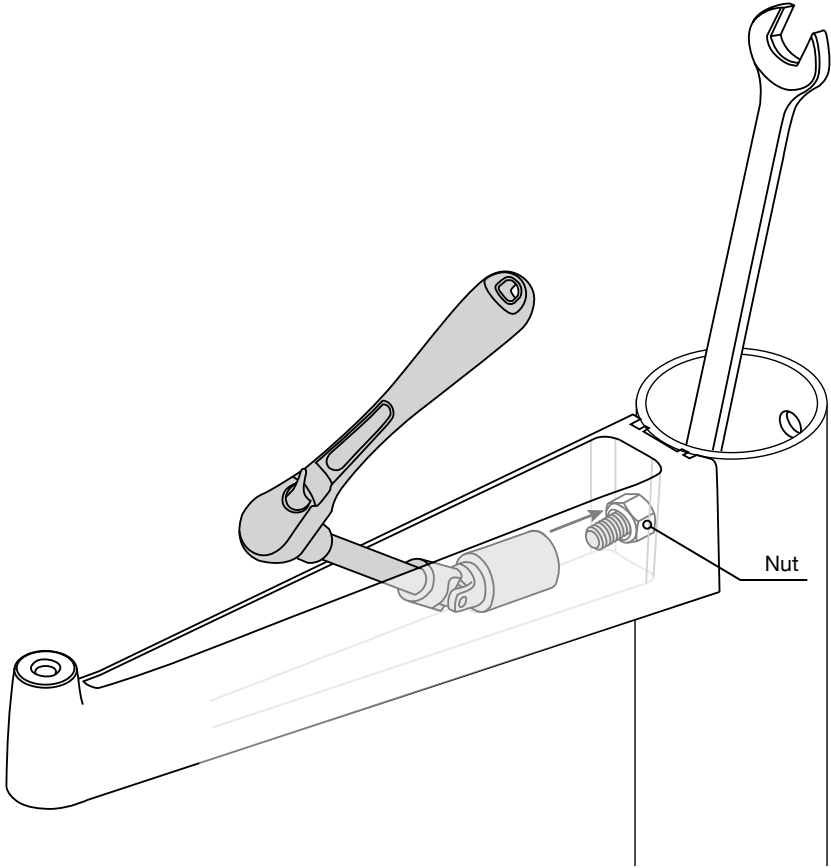
Step 4: Slide the foot over the bolt.

This step is repeated on each foot.

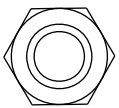


Step 5: Hold the bolt in place and tighten the nut.

This step is repeated on each foot.



1:1 HARDWARE

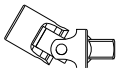


5/16" Nut (Pack B)

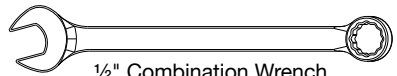
TOOLS



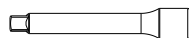
1/2" Hex Socket



Flex Socket Adapter



1/2" Combination Wrench

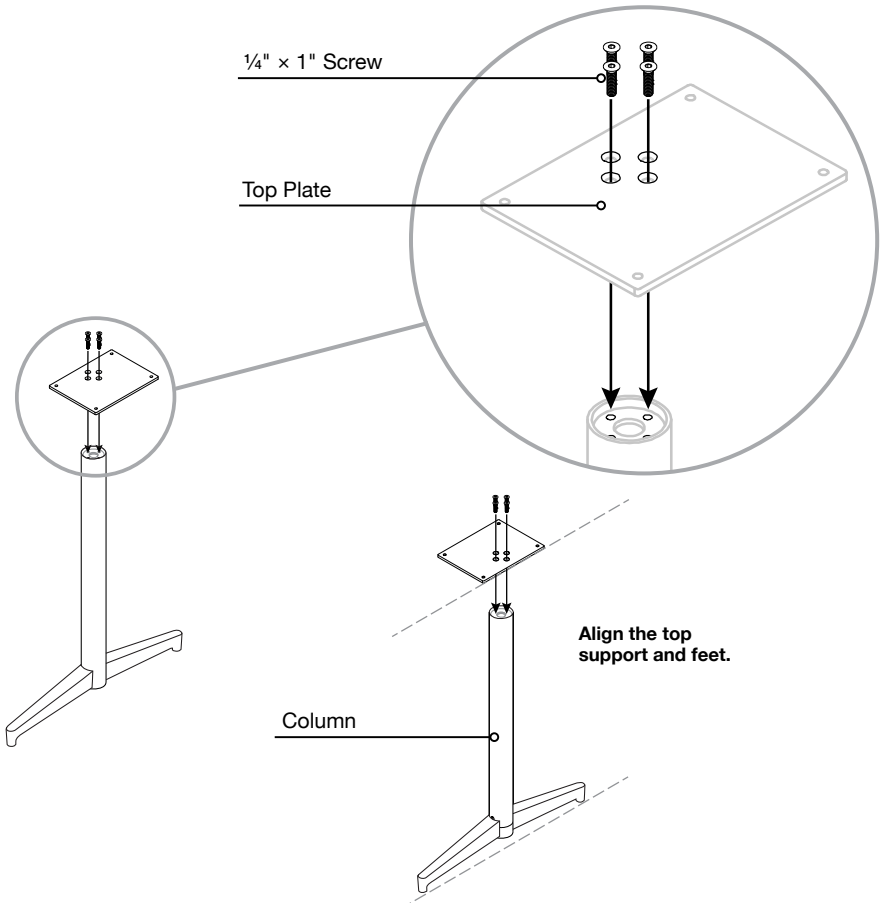


Socket Extension

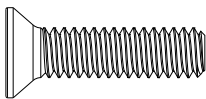


1/4" or 3/8" Drive Ratchet Wrench

Step 6: Attach the top plates to the columns.

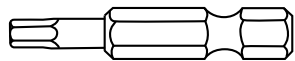


1:1 HARDWARE



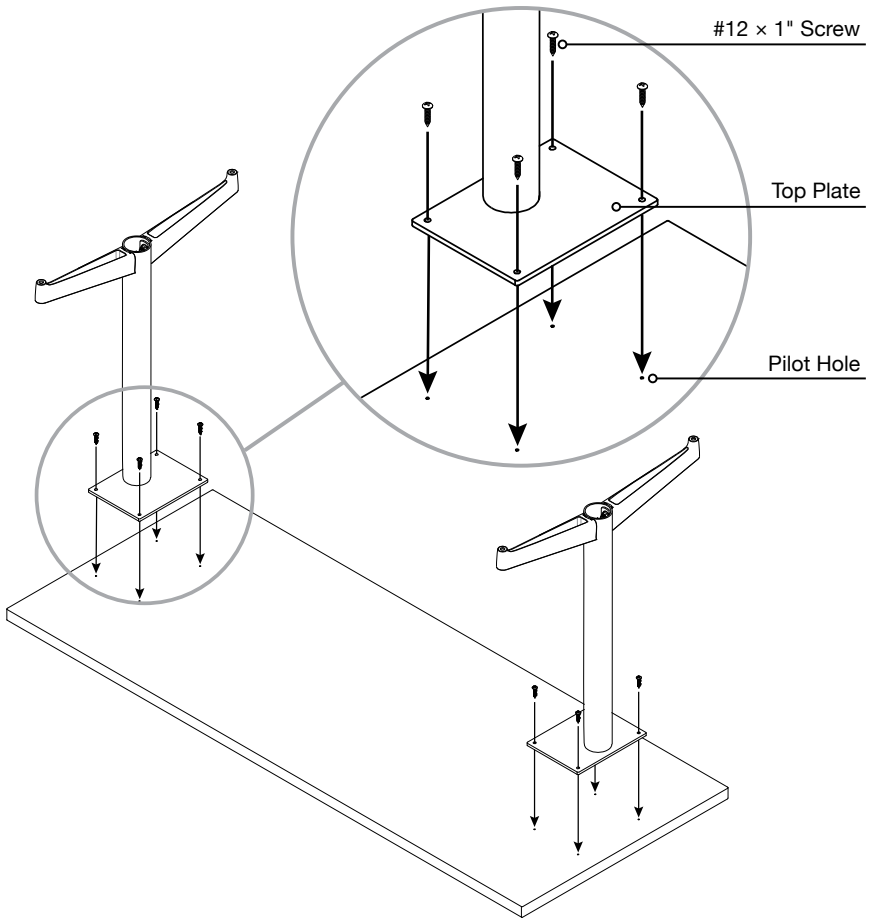
1/4 x 1" Screw (Pack C)

TOOLS

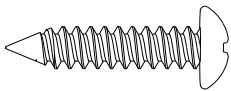


5/32 Hex Drill Bit

Step 7: Attach the leg assemblies to the tabletop.

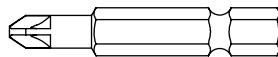


1:1 HARDWARE



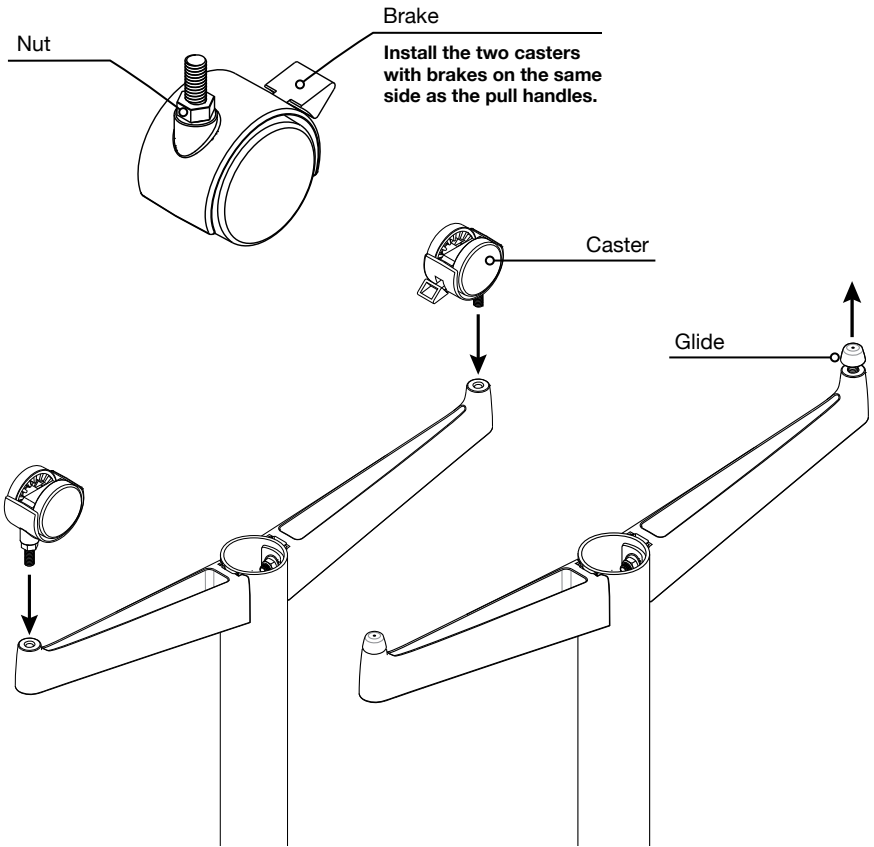
#12 x 1" Screw (Pack A)

TOOLS



#3 Phillips Bit

Step 8: Unscrew the glides to level as needed.
Alternately, insert the optional casters into the feet and tighten the nuts.



TOOLS



1/2" Combination Wrench

Step 9: Turn the table upright with the help of another person and if applicable, press the optional grommets into the cutouts.

