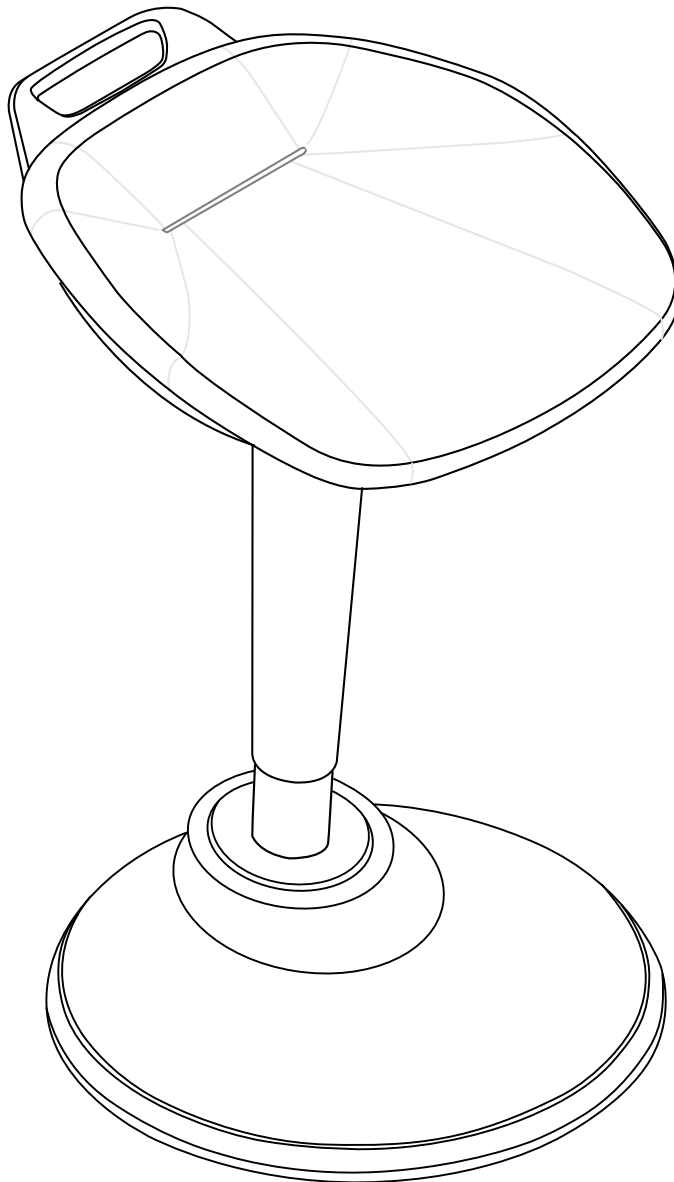


KICKSTAND

ASSEMBLY INSTRUCTIONS

Introducing a whole new way to work. There's sitting. There's standing. And now there's perching with Kickstand. It's an active alternative that provides limitless opportunities for body-benefitting postures, giving you support you need to lean forward and focus on what's in front of you.

Lean into work.

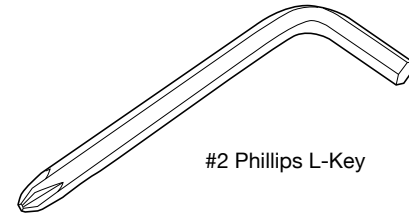


KICKSTAND STOOL ASSEMBLY INSTRUCTIONS

COMPONENT LIST

- Seat Pan (1)
- Cylinder (1)
- Cylinder Cover (1)
- Base (1)
- M5 x 20 mm Screw (2)
- #2 Phillips L-Key (1)

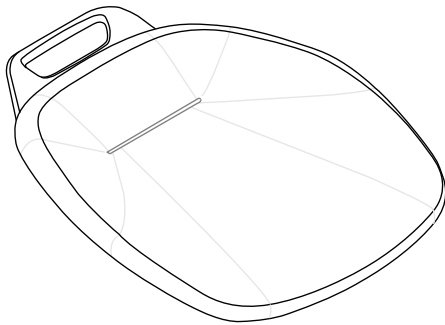
REQUIRED TOOLS



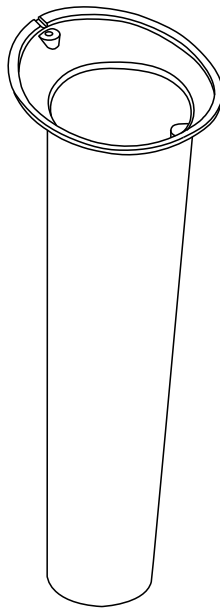
#2 Phillips L-Key

COMPONENTS

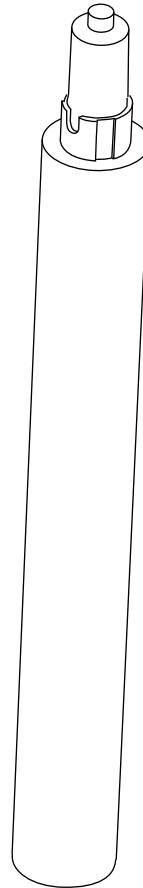
KICKSTAND STOOL



Seat Pan



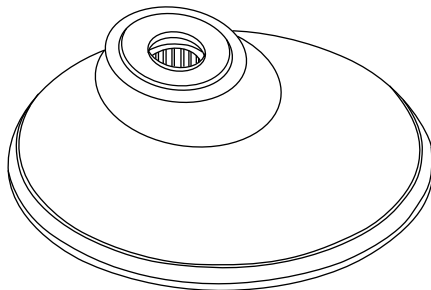
Cylinder Cover



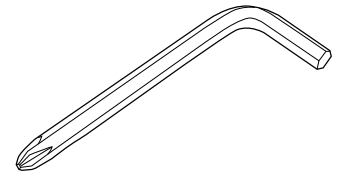
Cylinder



M5 x 20mm Screws



Base



#2 Phillips L-Key

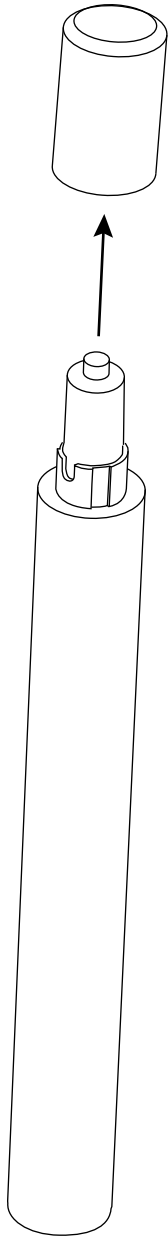
1:1 SCALE



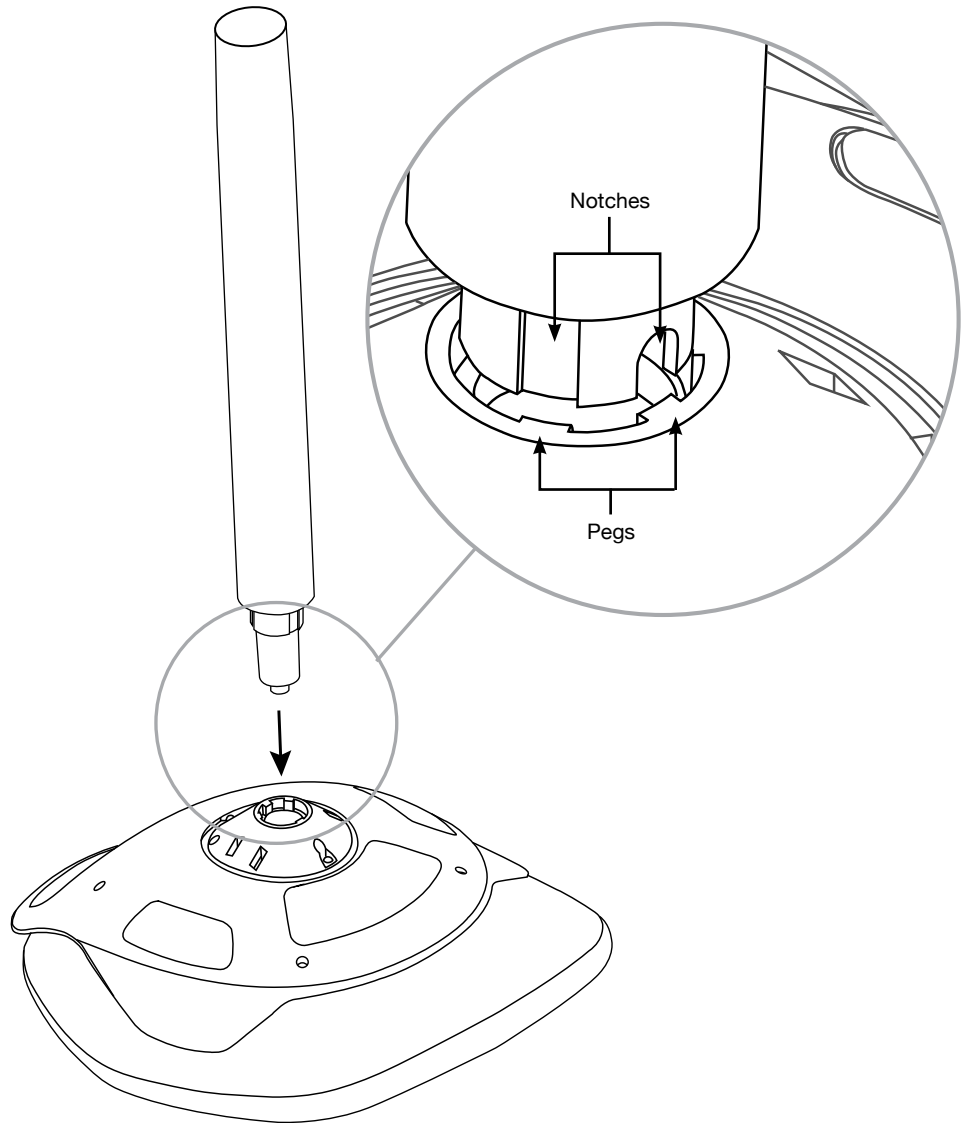
M5 x 20 mm Screw

KICKSTAND STOOL ASSEMBLY INSTRUCTIONS

1



2

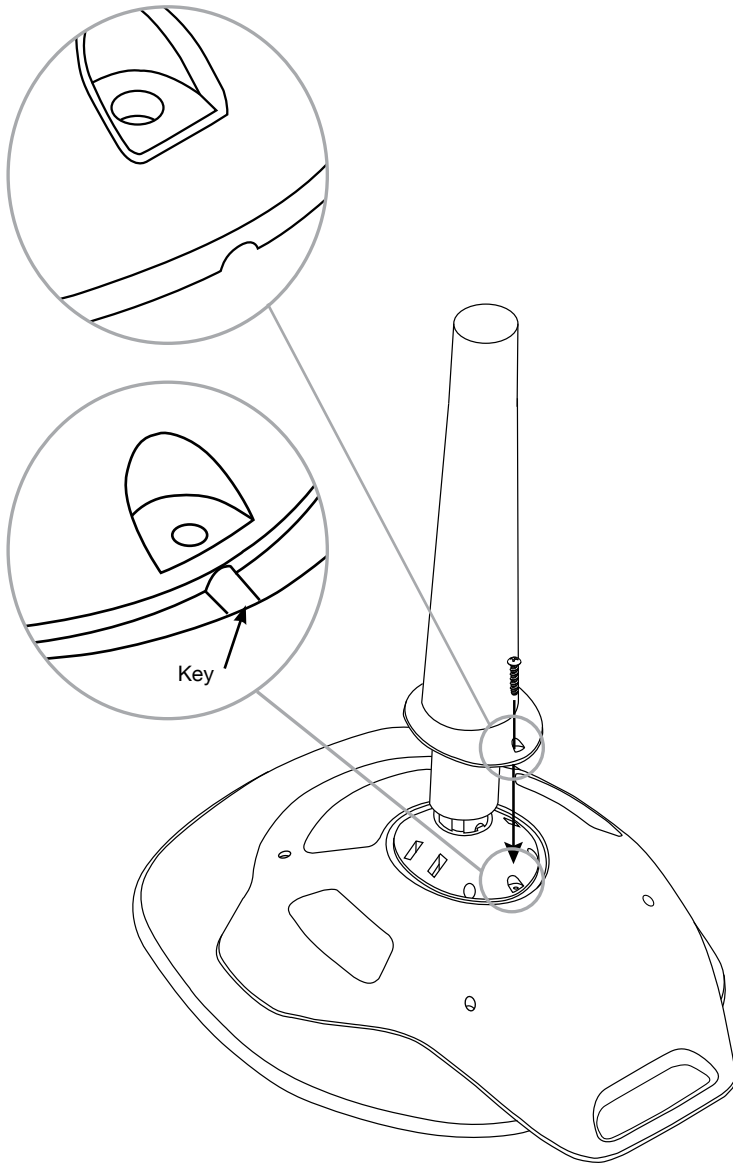


STEPS

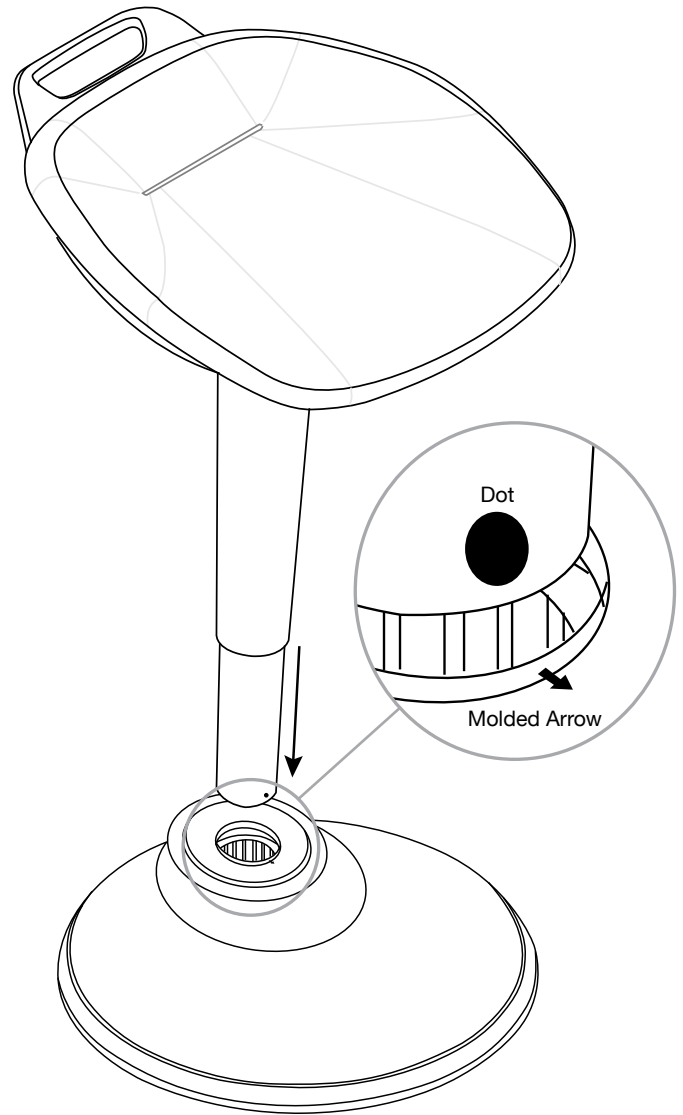
1. Remove and discard the protective cap from the cylinder.
2. There are four pegs on the seat pan at the connection point: one in the front and three in the back. There are four corresponding notches on the cylinder: three rectangular and one rounded. The rounded notch will pair with the center back notch. Align the pegs with the notches before connecting the cylinder and seat pan together.

KICKSTAND STOOL ASSEMBLY INSTRUCTIONS

3



4



STEPS

3. Slide the cylinder cover over the cylinder. Then, align the notch on the cylinder cover with the key located on the back of the seat pan. Using the provided L-key, attach the cylinder cover to the seat pan with the two M5 × 20 mm screws.
4. Align the dot located on the bottom of the exposed cylinder to the molded arrow on the base. Then, insert the cylinder into the base to complete the assembly.

Important: Confirm that the orientation of the seat relative to the base is correct before sitting on the stool.