

Paséa™ Ganging Bracket Installation Instructions

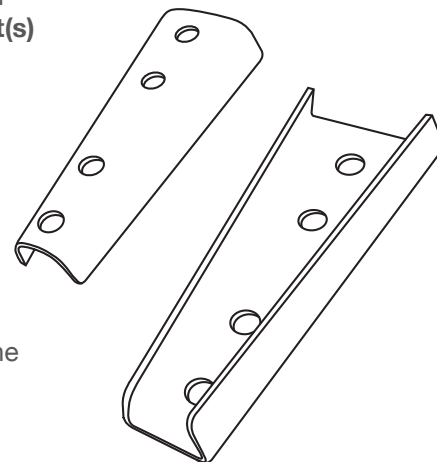
Please Note:

Pre-drilled holes for ganging bracket placement are drilled onto the sides of the Paséa unit(s) at the factory according to specification: right side-only, left side-only or both sides. **Once drilled, the holes are permanent and visible on the sides of the unit(s) when the brackets are uninstalled.**

Brackets are corresponding male/female and are sent uninstalled, requiring field installation.

Field Installation Instructions:

1. Locate the pre-drilled holes on the side of the unit.
2. Place the ganging bracket over the pre-drilled hole with the slimmer side of the bracket pointing downwards.
3. Install the bracket (male or female) using the two 5/16-18 1.75”L Phillips #3 screws (included) into the pre-drilled holes. The two screws should be sufficient to hold the bracket into place.
4. Using the above steps, install the corresponding (male or female) bracket into the adjacent Paséa unit you wish to gang.
5. Slightly lift the Paséa unit with the male bracket up and slide it onto the corresponding female bracket of the other unit. To fully engage the brackets, sit on the ganged units.



MALE



FEMALE



Your order should include one set of ganging brackets per specification. Based on your configuration, you may have left over brackets.

IDEON®