

Collaboration Solutions





Made in
California.
Designed
by you.

Who we are

With the fastest lead time in the industry, SitOnIt Seating® and IDEON® offer high-quality seating that combines award-winning design with intelligent ergonomics. From healthcare to higher education, we've been the go-to destination for build-to-order seating since 1996.

Born and bred in California, all of our key collections are designed in-house and rigorously tested for quality control, strength and durability. We make customization easy—our user-friendly ChairBuilder® tool lets you design your dream chair with just a few clicks. With chairs, sofas and stools for every desk, space and environment, the possibilities are endless.

Discover premium seating solutions—at a fraction of the price.

Our build-to-order promise

Custom-designed chairs, no waiting. Our lean manufacturing operation means we can ship build-to-order chairs in just two days. That means we can build the chair you want—and deliver it when you want it—at a price no one else can match.

Fastest shipping in the industry

Choose from two, five or 10-day shipping. We cut lead time, sync orders and avoid off-schedule shipments at a rate our competitors just can't match. From start to finish, we maximize efficiency in every single area—whether it's sourcing and logistics or assembly and production.



Inspire Collaboration

Design an environment that fosters creative energy with bright colors and intuitive ergonomics.

TABLE OF CONTENTS

Stacking/Nesting

Movi	4
Relay	6
Rio	7
InFlex	8
Lumin	9

Side/Guest

Wit Side	10
Freelance	11
Focus Side	21

Task/Conference

Wit	12
Novo	14
Amplify	16
Torsa	18
Focus	20
Prava	22
Sona	23

Lounge

Paséa	24
Nano	26
Composium	27
Visit Modular	28

Why Choose Us?

Sustainable Design	30
Endless Custom Options	31

TEXTILE (above): Tangerine Mesh (back), SitOnIt Seating/IDEON Cue Fog (seat)

MOVI

Lean back. Nest easy.



Whether you're setting up, breaking down or making space for spontaneous collaboration, today's ever-changing workspace calls for high-design seating solutions that can keep up with it all. Enter Movi: our ultra-lightweight nester with a slim, modern frame and extra flexibility built right in for long-range comfort all day long.



TEXTILE: SitOnIt Seating/IDEON Pop Electric Blue (seat), Electric Blue Mesh (back)
NESTER TEXTILE: SitOnIt Seating/IDEON Cue Fog (seat), Apple Mesh (back)



Nester



Light Task



Task Stool



RELAY

Durable and adaptable to the finish.

Designed by Doresy Cox, this futuristic style stacks and nests easily for quick storage and transport.



Nester



RIO

Design that responds to you.

Discover our favorite lightweight chair with innovative flexback technology.



Four-Leg Side Chair



Wire Rod



PLASTIC: Tangerine

INFLEX

Geometry in motion.

Designer Giancarlo Piretti crafted a flex-back disc system inspired by the natural curve of the spine.



Four-Leg



BAR STOOL PLASTIC: Apple
SIDE CHAIR PLASTIC: Lemon

LUMIN

Light up the room.

Our popular multi-purpose chair is both elegant and modern.



Wire Rod



Four-Leg Chair (with tablet arm)



WIT

Work smarter.

Our Wit side chair offers all the signature features of the Wit task in a complete, multi-purpose seating collection.



Four-Leg Side Chair



Four-Leg Side Chair - Thintex



FREELANCE

Built for durability.

Imagine the versatility.

Our crowd-pleasing side chair is curved, comfortable and ready for anything.



Four-Leg



Sled Base



TEXTILE: CF Stinson Lava Lagoon



TEXTILES: SitOnIt Seating/IDEON Pop Apple and Lemon

WIT

Work smarter.

One of our most popular task chairs comes with a built-in pull handle for easy mobility.



Task Chair - Mesh Highback



Task Chair - Thintex Highback



Task Stool



TEXTILES: SitOnIt Seating/IDEON Slide Nickel (seat), Aqua Mesh (back)

NOVO

Hyper-customizable. Super-ergonomic.



Whether you need something professional for the boardroom or vibrant for a modern collaborative space, the customizable design of Novo has got you covered.



Task Chair



Task Stool

AMPLIFY

The power of more.

Sleek and aerodynamic, this chair has the most built-in features than any other in its class.



TEXTILE: Green Hides Sierra Citron



Task Chair - Upholstered Highback



Task Chair - Mesh Highback



Task Stool - Mesh Midback







TORSA

Inspired by nature.

Experience supreme comfort thanks to our unique Comfort Drive[®] control technology.

Task Chair - Mesh Highback

FOCUS

Where comfort, style and ergonomics converge.

This versatile, comfort-focused line has something for everyone.



Sport - Midback

Work - Highback

Executive



TEXTILE: SitOnt Seating/IDEON Highland Fields



Task Stool



24" Counter Stool



30" Bar Stool



Side Wood Back



Side Relaxed-Fit Upholstered



PRAVA

Command performance.

Designed by Jorge Pensi, this classic silhouette features distinctive double-stitched detailing.



Highback (with Headrest)



TEXTILE: Green Hides Sierra Straw

SONA

Big design. Slim profile.

The slimmer profile on this Pensi-designed chair makes for an elegant conference room option.



Highback Upholstered



TEXTILE: DesignTex Sugarshoots Bleu



ROUND OTTOMAN TEXTILE:

SitOnIt Seating/IDEON Newport Lemon

BENCHES TEXTILES:

SitOnIt Seating/IDEON Monterey Flurry (seat),

SitOnIt Seating/IDEON Monterey Citrus (back)

PASÉA

Comfort that works.



From quick collaborations and afternoon coffee breaks to private conversations and independent working sessions, the comfort and versatility of Paséa will make you rethink what a modular lounge collection can (and should) be.

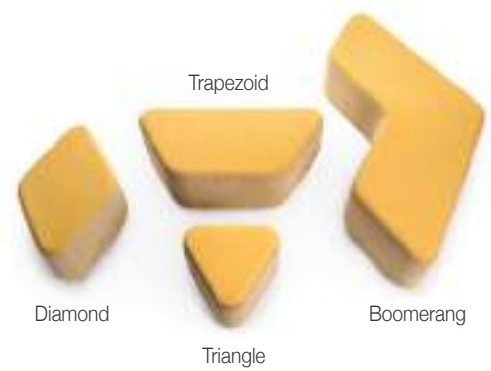




NANO

Easy from every angle.

Configure, reconfigure and repeat. With just four modular and movable shapes, Nano helps you create countless opportunities for quick collaboration.



TEXTILES: SitOnIt Seating/IDEON Oasis Newport Lemon (seat), SitOnIt Seating/IDEON Oasis Monterey Glow (chassis)
TEXTILES: SitOnIt Seating/IDEON Oasis Cue Tangerine (seat), SitOnIt Seating/IDEON Oasis Monterey Citrus (chassis)

COMPOSIUM

Perfect harmony.

Composium is where durability meets style. Its steel-rail construction withstands heavy usage in tough environments while a myriad of style options make it a versatile choice for common areas of all shapes and sizes.



Sharp Club Chair



Sharp Settee



Sharp Sofa



Ottoman



TEXTILE: SitOnIt Seating/IDEON Cue Electric Blue



TEXTILES: Designtex Boreas Mustang (seat), Momentum Beeline Portobello (back)

VISIT MODULAR

Sit. Stay awhile.

The Visit Modular collection can be configured for virtually any space— with ganging brackets and handles, it's ideal for off-the-cuff meetings and multi-purpose spaces.



Armless Chair



Wood Arm Chair



Armless Chair with Tablet Arm
and Magazine Rack

Why Choose Us?

TESTED & APPROVED

We put ourselves through the ringer (so you don't have to). Rest assured that our products have been tested for quality control, strength and durability.

ANSI/BIFMA CERTIFIED

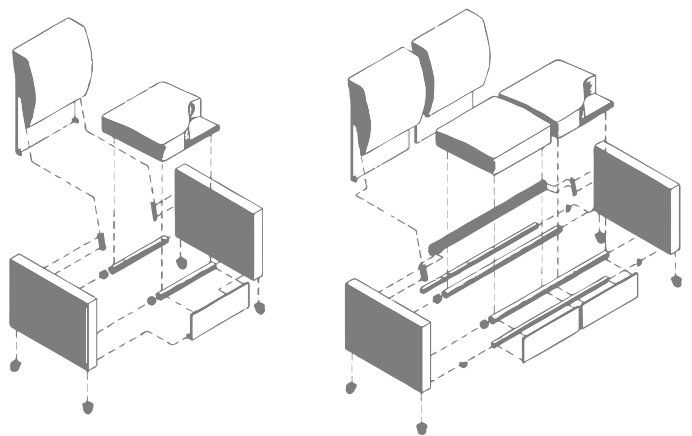
SitOnIt Seating and IDEON are members of the Business and Institutional Furniture Manufacturer's Association (BIFMA). Tests developed by BIFMA are approved by the American National Standards Institute (ANSI) to determine the strength and durability of seating. Although testing is not a warranty or guarantee, our products meet or exceed BIFMA and ANSI standards.

HEAVYWEIGHT CHAMPIONS

We use rigorous standards that test for arm and leg strength, overall load and impact. Our Heavy Duty chairs have a 350 lb. weight capacity and bariatric models are rated to 500 lbs. and 1000 lbs. Bariatric models are available in 30" and 42" widths with additional seat foam, steel reinforcement and extra large casters with 25% more weight capacity. IDEON club chairs, settees and sofas are rated to 250, 500 and 750 lbs. respectively.

BUILT TO LAST

The unique IDEON steel rail system* creates a robust, durable understructure that withstands even the toughest environments. The arms are anchored by a high performance molded joint system that provides long-lasting stability. The modular assembly of rails and components makes field replacement of our components simple, ultimately extending the life of the product.



**Not applicable for the Visit Modular collection.*

SUSTAINABLE DESIGN

We make it easy to go green.

Design an eco-friendly room from the ground up or upgrade an existing space to meet the latest environmental standards.



LEED CERTIFIED

Earn points toward LEED certification thanks to our U.S. manufacturing location and our use of recycled materials where possible.

GREENGUARD CERTIFIED

Most SitOnIt Seating and IDEON products have met the rigorous criteria required by Greenguard Gold in accordance with the Collaborative for High Performance Schools.

LEVEL CERTIFIED

We've worked to achieve BIFMA level® certification for all SitOnIt Seating and IDEON seating products.

WE DID OUR HOMEWORK

Download detailed documents that break down the percentage of recycling content, manufacturing process and indoor air emissions for every chair we make.

ENDLESS CUSTOM OPTIONS

Developed by world-renowned designers and engineers, all of our collections are customizable from top to bottom.

FIND YOUR HUE

With thousands of textiles, COM options, frame accents and finishes to choose from, you can mix and match to your heart's content —whether you're enhancing school colors or just in the mood to be creative!

PERFECTION IS POSSIBLE

Our accurate fabric matching ensures that patterns will line up perfectly—even with replacement upholstery parts ordered years later!

SAFETY FIRST

We make it easy for designers and buyers to put safety first. Since fire safety is a top priority for many facilities, we offer CAL 133 models for every collection, COM fabric approval service and a 10-day turnaround all at an extremely competitive price point.

Our Promise To You

SitOnIt Seating and IDEON warrant to the original purchaser that our products will be free from defects in material and workmanship. The warranty period varies by product/product use and ranges from two years to a full, lifetime warranty. Visit us online to read our complete [SitOnIt Seating](#) and [IDEON](#) warranty policies.

For the name and number of your local representative, call, email or visit our website.

SitOnIt Seating
(888) 274-8664
sales@sitonit.net
sitonit.net

IDEON
(877) 994-3366
sales@ideondesign.com
ideondesign.com

The images used within this website or document represent the logical use of the product(s) offered. The textiles, frame colors, accessories and options depicted are subject to change without notice. Refer to the current price list or contact Customer Experience for the most up-to-date product information and specifications.



FRONT COVER TEXTILES:

SitOnIt Seating/IDEON Oasis Newport Lemon (seat), SitOnIt Seating/IDEON Oasis Monterey Glow (chassis)
SitOnIt Seating/IDEON Oasis Cue Tangerine (seat), SitOnIt Seating/IDEON Oasis Monterey Citrus (chassis)

6415 Katella Avenue, Cypress, CA 90630

SitOnIt Seating, IDEON, Achieve, Amplify, Anytime, Aviera, Comfort Drive, Composium, Focus, Freelance, InFlex, Lumin, Movi, Nano, Novo, Paséa, Prava, Relay, Rio, Sona, Thintex, Torsa, Visit and Wit are trademarks or registered trademarks of Exemplis. All other trademarks are property of their respective owners.