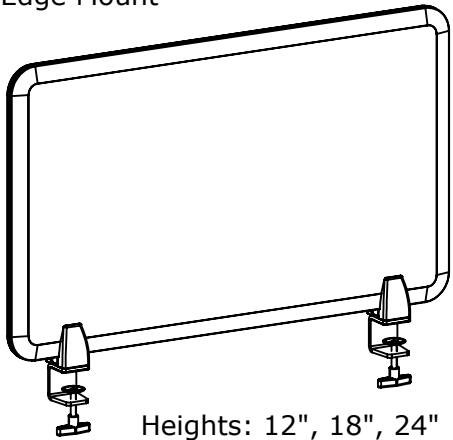
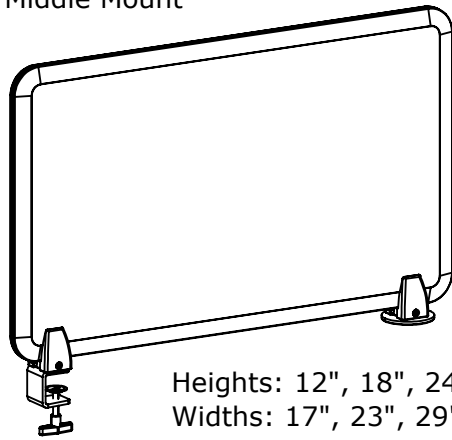


Edge Mount



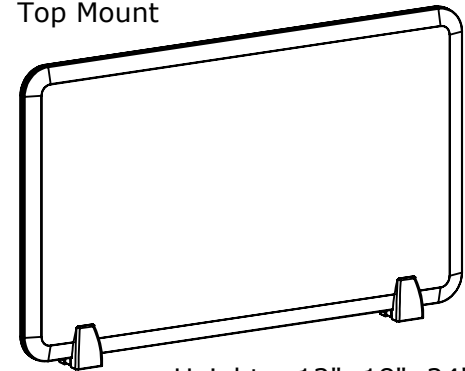
Heights: 12", 18", 24"
Widths: 17" - 72"

Middle Mount



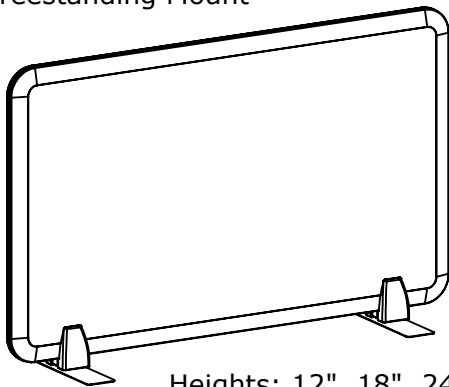
Heights: 12", 18", 24"
Widths: 17", 23", 29"

Top Mount



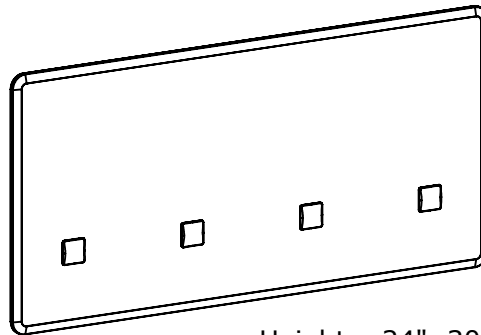
Heights: 12", 18", 24"
Widths: 17" - 72"

Freestanding Mount



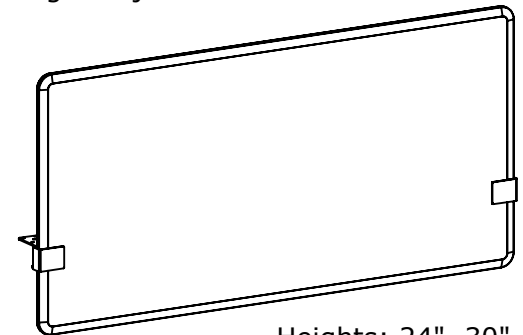
Heights: 12", 18", 24"
Widths: 17" - 72"

Midway Mount



Heights: 24", 30"
Widths: 24" - 72"

Height Adjustable Mount



Heights: 24", 30"
Widths: 24" - 60"

B

B

A

A

- Material collections: Motif fabric, Sector acrylic, Doodle markerboard

- Screen sizes available in standard 6" increments



DWG TITLE

Protective, Privacy, Privacy/Modesty Screens

DESCRIPTION

Screens, Protective, Privacy, Privacy/Modesty Screens

REV

-

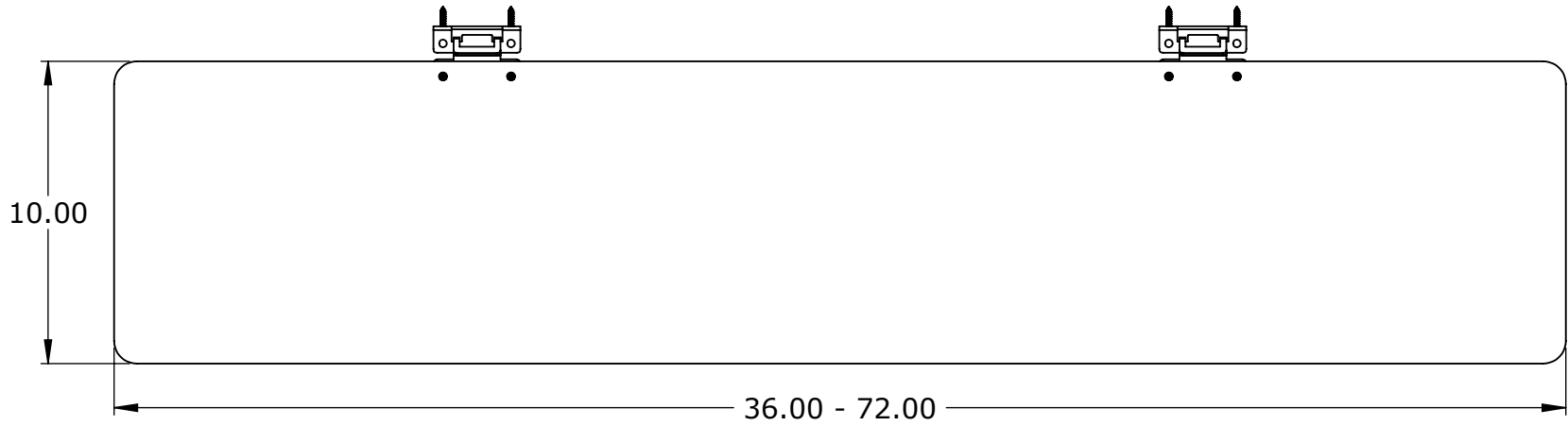
SIZE

A

PROPRIETARY AND CONFIDENTIAL
THE INFORMATION CONTAINED IN THIS
DRAWING IS THE SOLE PROPERTY OF
SYMMETRY OFFICE. ANY REPRODUCTION
IN PART OR AS A WHOLE WITHOUT THE
WRITTEN PERMISSION OF SYMMETRY
OFFICE IS PROHIBITED.

2

1

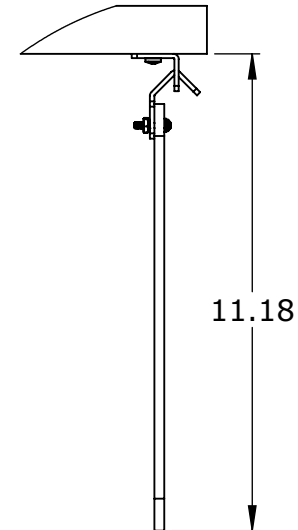
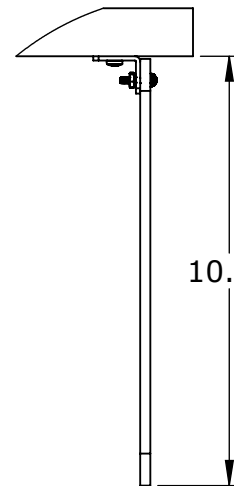
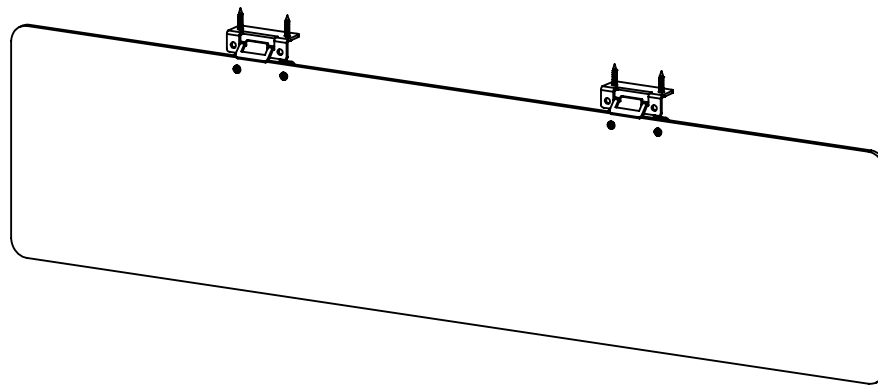


B

B

Fixed Mounting Option

Hinged Mounting Option



A

A

- Screen sizes available in standard 6" increments
- Available materials: frosted acrylic, laminate



DWG TITLE

Modesty Screens

REV

-

DESCRIPTION

Screens, Modesty Screens

SIZE

A

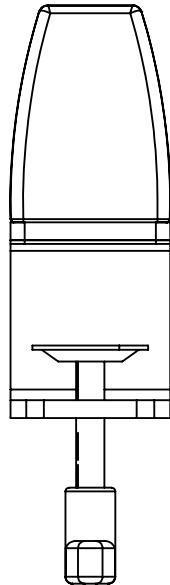
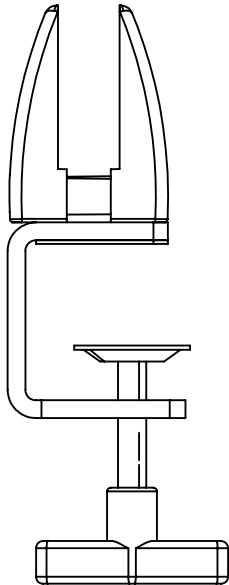
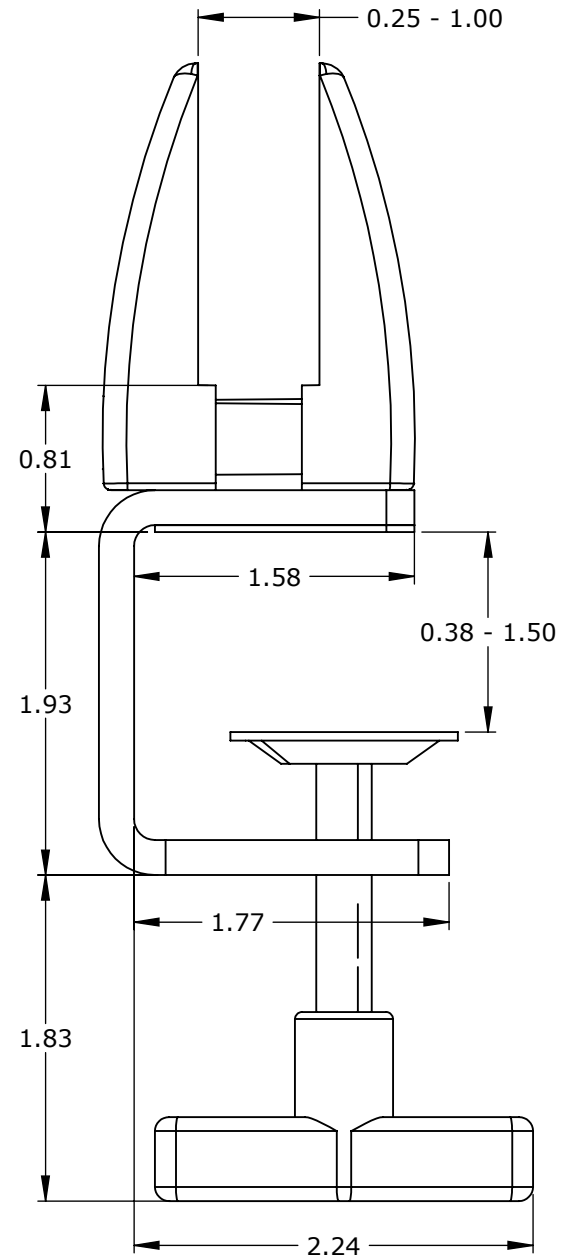
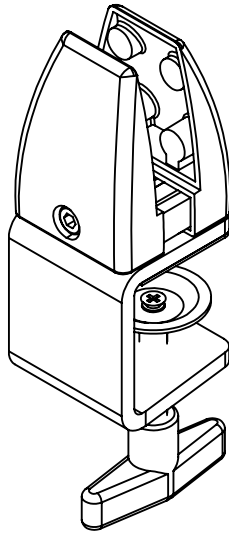
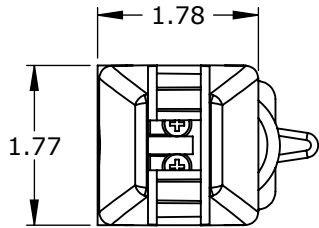
PROPRIETARY AND CONFIDENTIAL
 THE INFORMATION CONTAINED IN THIS
 DRAWING IS THE SOLE PROPERTY OF
 SYMMETRY OFFICE. ANY REPRODUCTION
 IN PART OR AS A WHOLE WITHOUT THE
 WRITTEN PERMISSION OF SYMMETRY
 OFFICE IS PROHIBITED.

2

1

2

1



B

B

A

A



DWG TITLE

Edge Mount

REV

-

DESCRIPTION

Screens, Mount Types

SIZE

A

PROPRIETARY AND CONFIDENTIAL
THE INFORMATION CONTAINED IN THIS
DRAWING IS THE SOLE PROPERTY OF
SYMMETRY OFFICE. ANY REPRODUCTION
IN PART OR AS A WHOLE WITHOUT THE
WRITTEN PERMISSION OF SYMMETRY
OFFICE IS PROHIBITED.

2

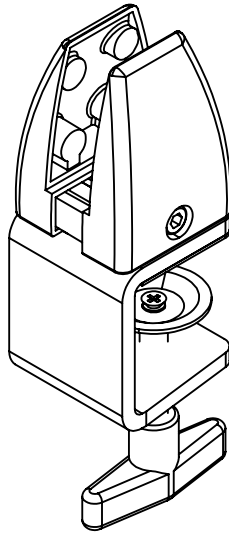
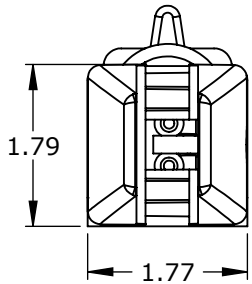
1

2

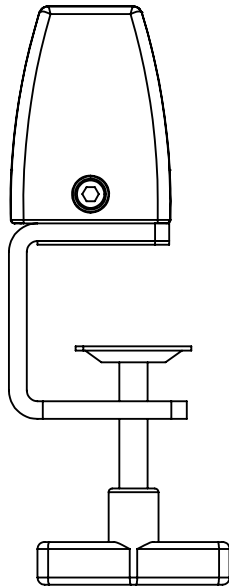
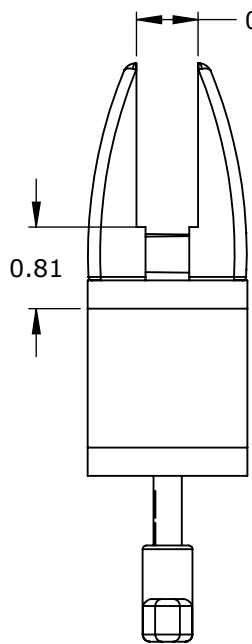
1

B

B

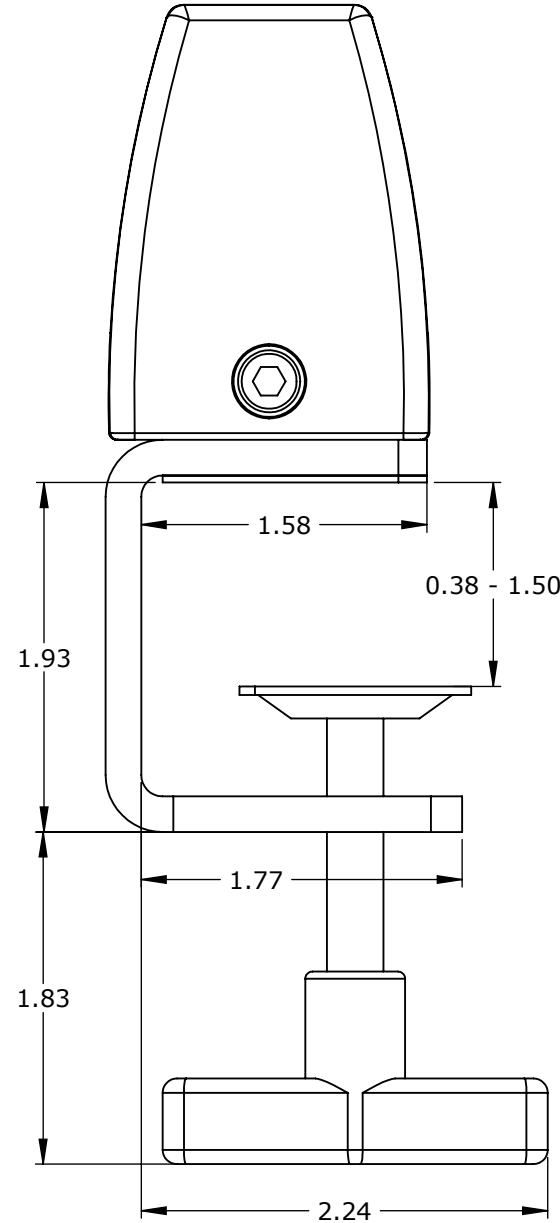


0.25 - 1.00



A

A



DWG TITLE

Middle Mount (Front)

REV

-

DESCRIPTION

Screens, Mount Types

SIZE

A

PROPRIETARY AND CONFIDENTIAL
 THE INFORMATION CONTAINED IN THIS
 DRAWING IS THE SOLE PROPERTY OF
 SYMMETRY OFFICE. ANY REPRODUCTION
 IN PART OR AS A WHOLE WITHOUT THE
 WRITTEN PERMISSION OF SYMMETRY
 OFFICE IS PROHIBITED.

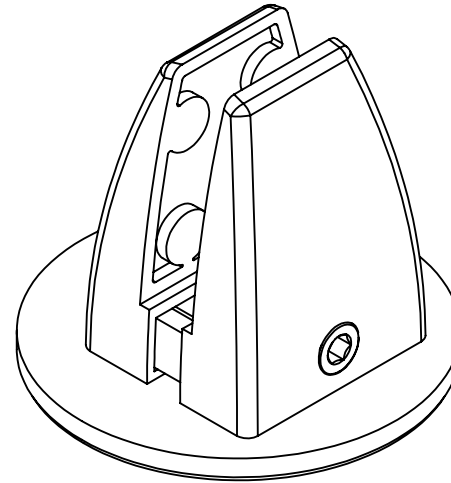
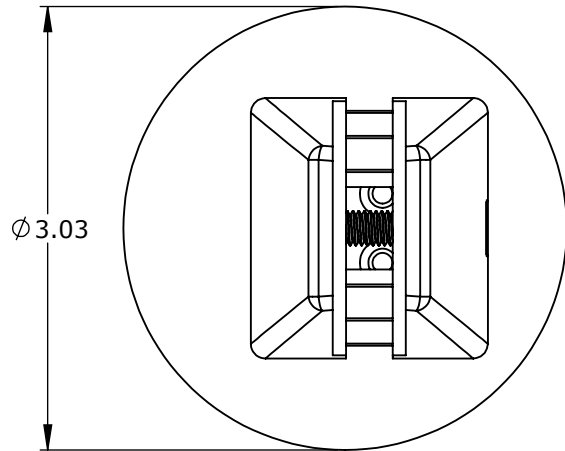
2

1

2

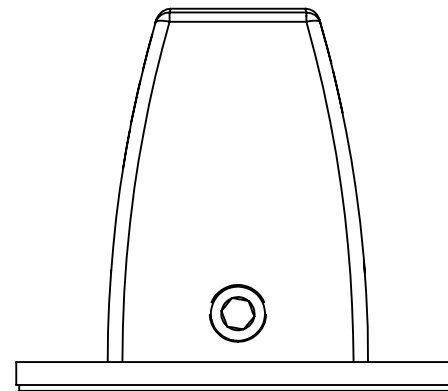
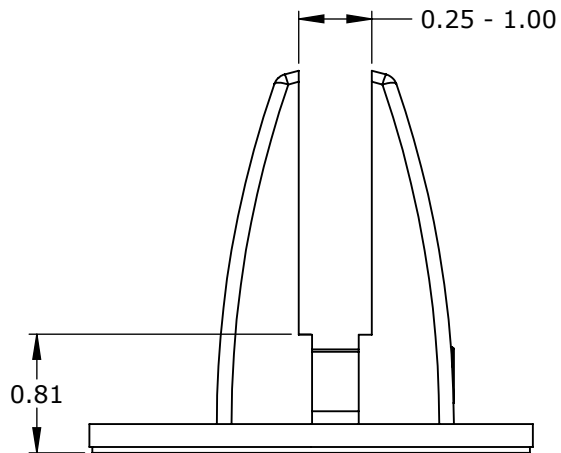
1

B



B

A



A



DWG TITLE

Middle Mount (Back)

REV

-

DESCRIPTION

Screens, Mount Types

SIZE

A

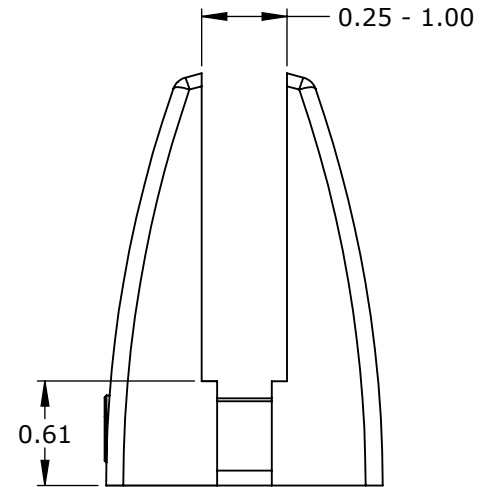
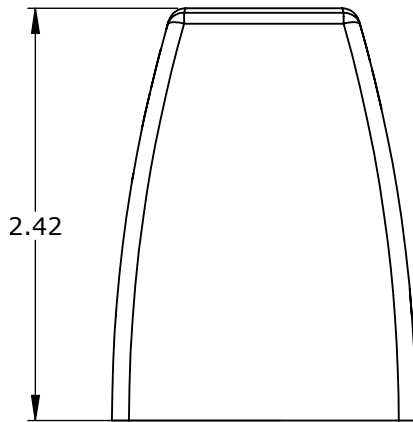
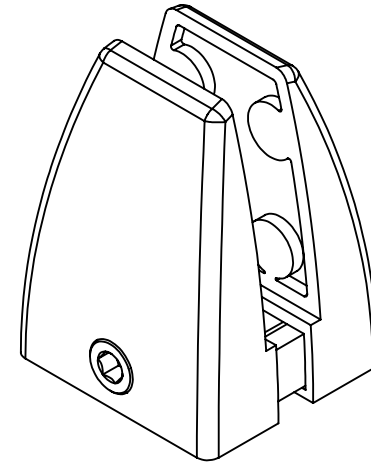
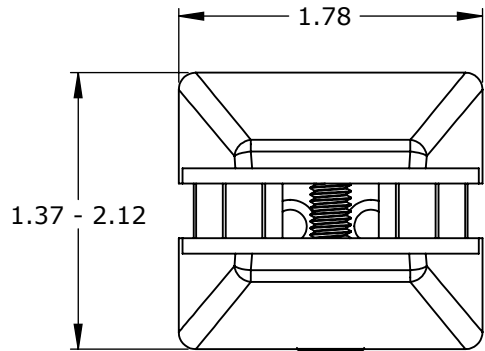
PROPRIETARY AND CONFIDENTIAL
 THE INFORMATION CONTAINED IN THIS
 DRAWING IS THE SOLE PROPERTY OF
 SYMMETRY OFFICE. ANY REPRODUCTION
 IN PART OR AS A WHOLE WITHOUT THE
 WRITTEN PERMISSION OF SYMMETRY
 OFFICE IS PROHIBITED.

2

1

2

1



B

B

A

A



DWG TITLE

Top Mount

REV

-

DESCRIPTION

Screens, Mount Types

SIZE

A

PROPRIETARY AND CONFIDENTIAL
 THE INFORMATION CONTAINED IN THIS
 DRAWING IS THE SOLE PROPERTY OF
 SYMMETRY OFFICE. ANY REPRODUCTION
 IN PART OR AS A WHOLE WITHOUT THE
 WRITTEN PERMISSION OF SYMMETRY
 OFFICE IS PROHIBITED.

2

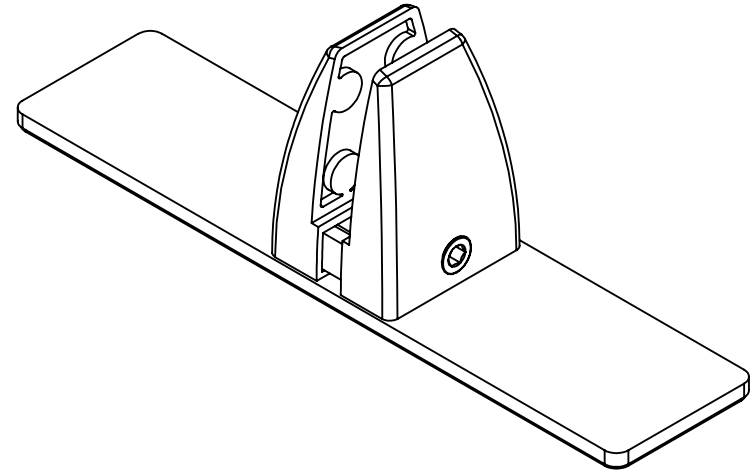
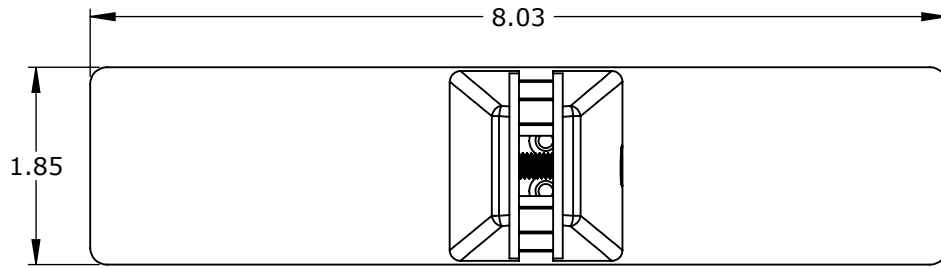
1

2

1

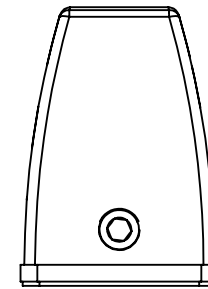
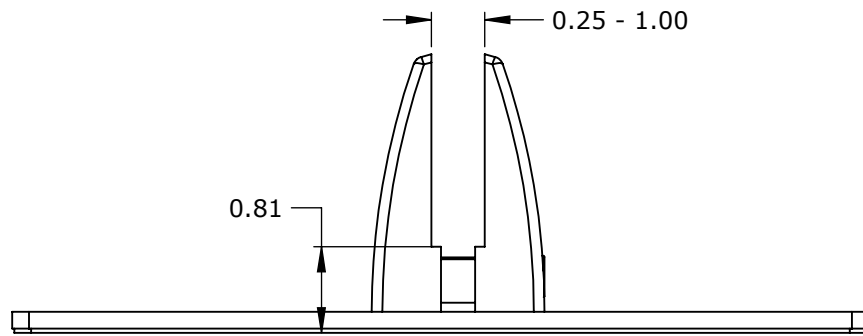
B

B



A

A



DWG TITLE

Freestanding Mount

REV

-

DESCRIPTION

Screens, Mount Types

SIZE

A

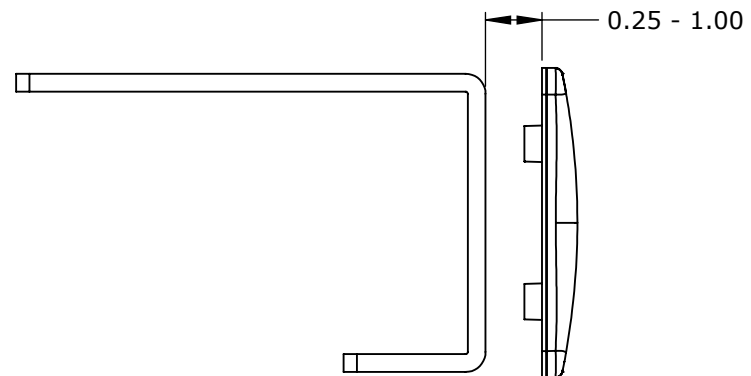
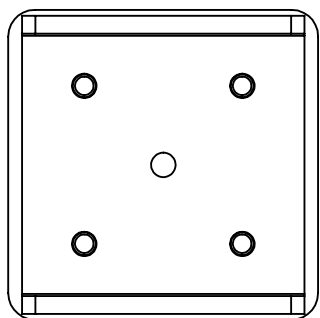
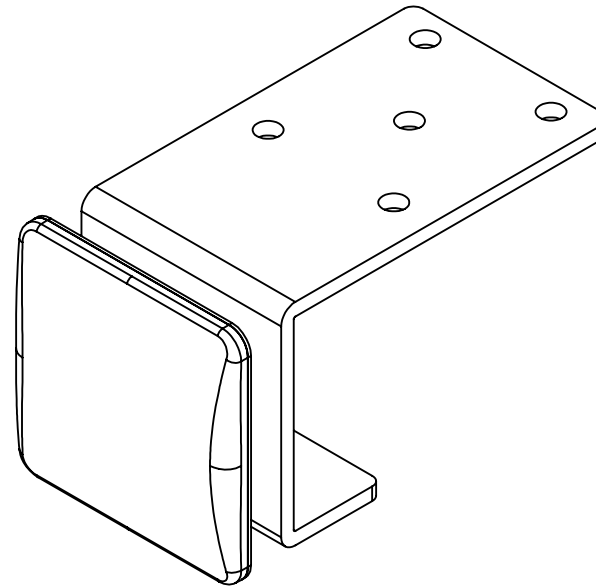
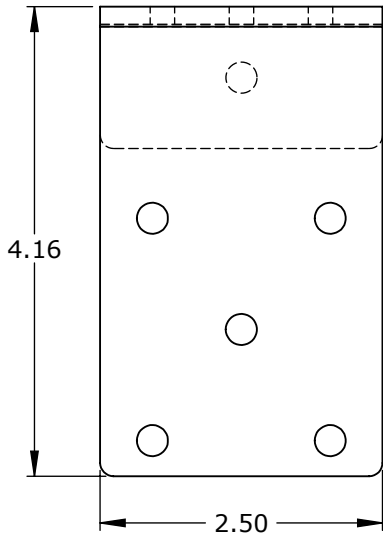
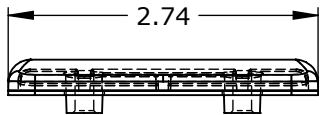
PROPRIETARY AND CONFIDENTIAL
THE INFORMATION CONTAINED IN THIS
DRAWING IS THE SOLE PROPERTY OF
SYMMETRY OFFICE. ANY REPRODUCTION
IN PART OR AS A WHOLE WITHOUT THE
WRITTEN PERMISSION OF SYMMETRY
OFFICE IS PROHIBITED.

2

1

2

1



B

B

A

A



DWG TITLE

Midway Mount

REV

-

DESCRIPTION

Screens, Mount Types

SIZE

A

PROPRIETARY AND CONFIDENTIAL
 THE INFORMATION CONTAINED IN THIS
 DRAWING IS THE SOLE PROPERTY OF
 SYMMETRY OFFICE. ANY REPRODUCTION
 IN PART OR AS A WHOLE WITHOUT THE
 WRITTEN PERMISSION OF SYMMETRY
 OFFICE IS PROHIBITED.

2

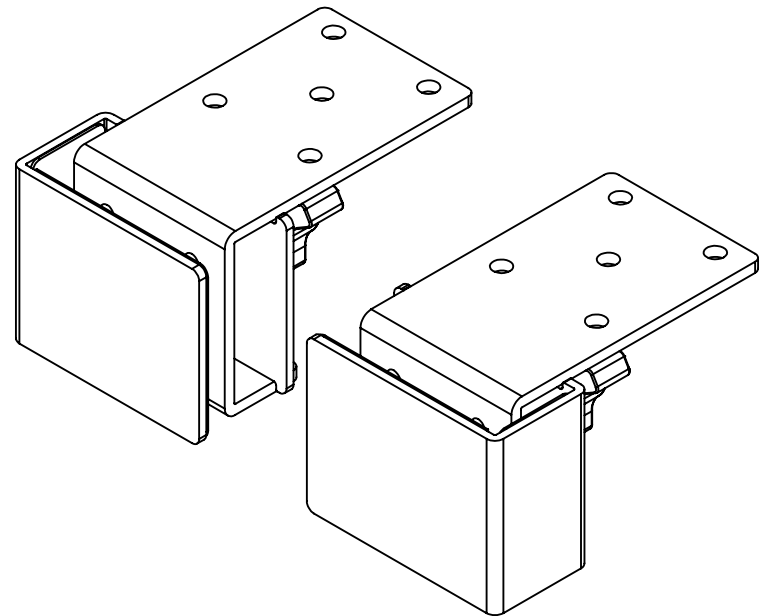
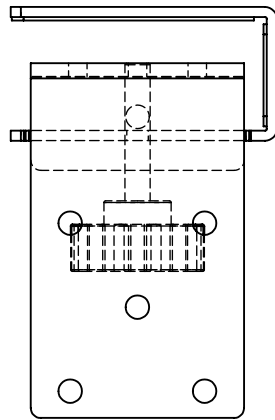
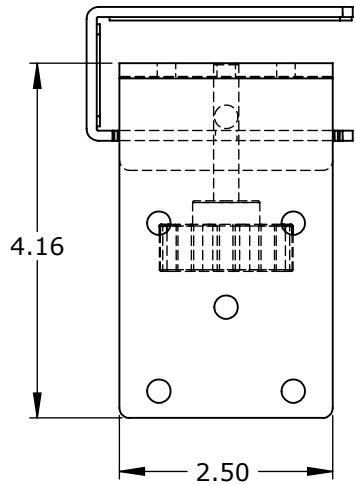
1

2

1

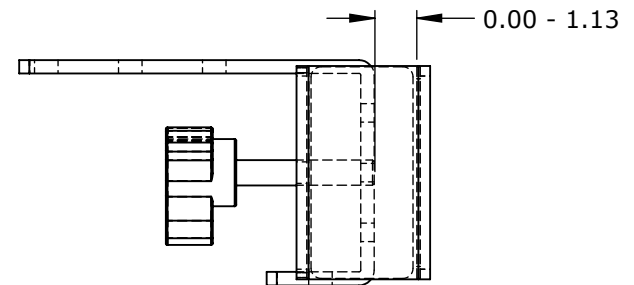
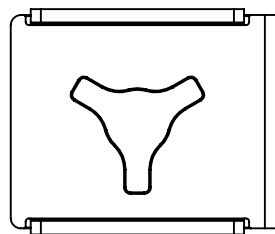
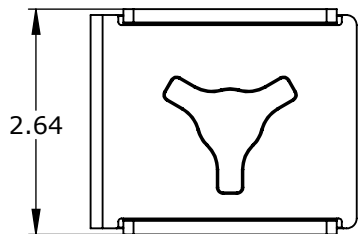
B

B



A

A



DWG TITLE

Height Adjustable Mount

REV

-

DESCRIPTION

Screens, Mount Types

SIZE

A

PROPRIETARY AND CONFIDENTIAL
 THE INFORMATION CONTAINED IN THIS
 DRAWING IS THE SOLE PROPERTY OF
 SYMMETRY OFFICE. ANY REPRODUCTION
 IN PART OR AS A WHOLE WITHOUT THE
 WRITTEN PERMISSION OF SYMMETRY
 OFFICE IS PROHIBITED.

2

1