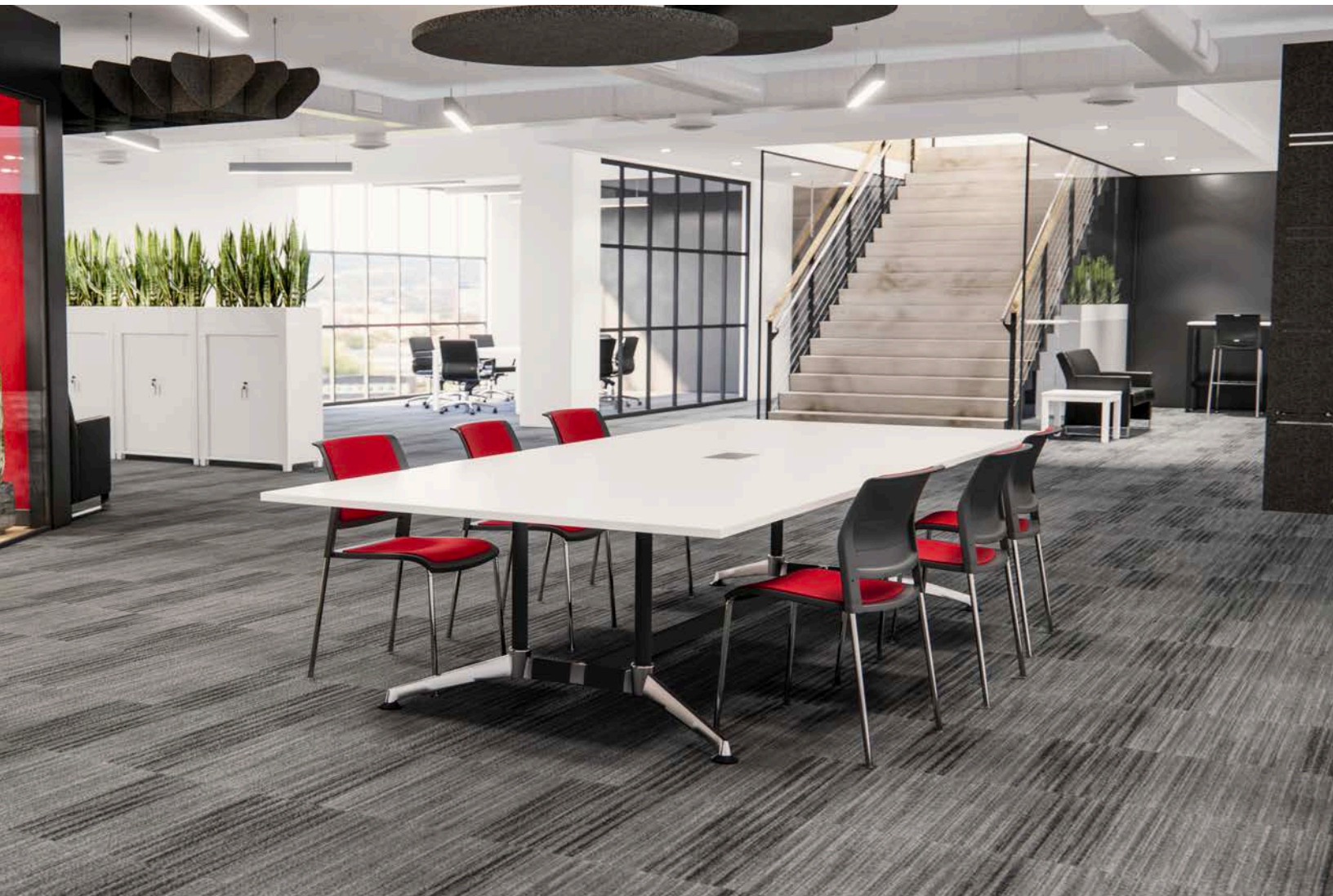


# *Modulus Tables*

The Modulus system has a timeless simplicity with one universal leg style that supports many table designs.



# MODULUS COLLAR LEG BOARDROOM TABLES



## STANDARD FEATURES

- Black powdercoated posts and rails, polished alloy feet, collars & connectors
- Leveling glides
- Compatible with in-desk power & data boxes
- Worksurface height of 28.75" including 1.0" worktop
- All conference tables available with cutouts for power & data boxes

## STANDARD WORKTOP SIZES

72" x 48"	} Solid worktop	
96" x 48"		
142" x 48"		} 2-piece worktop
213" x 48"		} 3-piece worktop

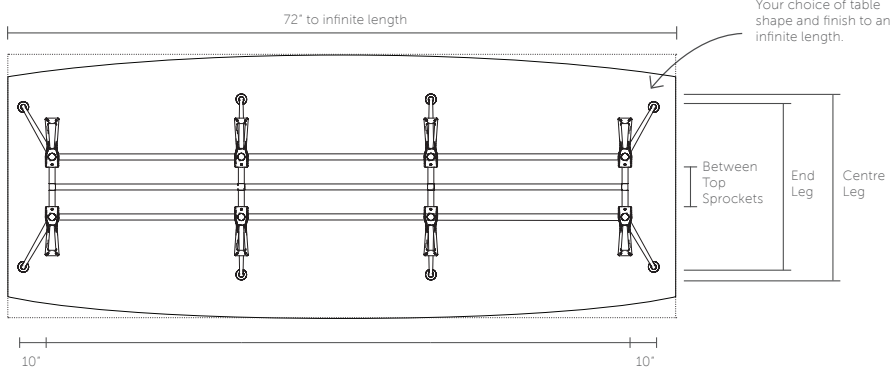


Twin Pole Single Span



Twin Pole Double Span

## TWIN POST WITH COLLAR LEG



Leg Width Kit	End Leg	Centre Leg	Between Top Sprockets
CA-FW1200	45"	50"	7"
CA-FW1400	49"	54"	12"
CA-FW1600	57"	62"	19"
CA-FW1800	66"	70"	27"

# MODULUS FIXED LEG TABLES



## STANDARD FEATURES

- Black powdercoated posts and rails, polished alloy feet, collars & connectors
- Leveling glides
- White worksurfaces are in stock. Other finish options are available.
- Worksurface height of 28.75" including 1.0" worktop
- Standard frame sizes fit worktops of 60" - 96" width x 24" - 36" depth

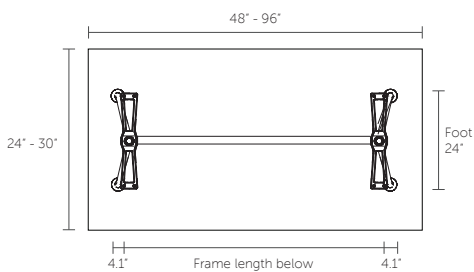
## STANDARD WORKTOP SIZES

48" x 24"	72" x 24"
48" x 30"	72" x 30"
60" x 24"	72" x 36"
60" x 30"	

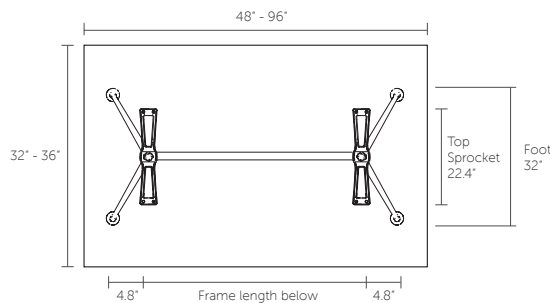


Single Pole Single Span

## 24" Wide Fixed Leg:



## 32" Wide Fixed Leg:



# MODULUS MEETING TABLES



Side Coffee Table

**STANDARD WORKTOP SIZES**

16" - 28" diameter or  
16" - 24" square.



Small Single Post Meeting Table

**STANDARD WORKTOP SIZES**

16" - 28" diameter or  
16" - 24" square.



Single Post Meeting Table

**STANDARD WORKTOP SIZES**

36" - 48" diameter or  
28" - 39" square.



4 Post Meeting Table

**STANDARD WORKTOP SIZES**

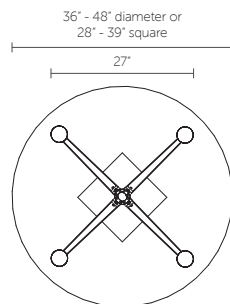
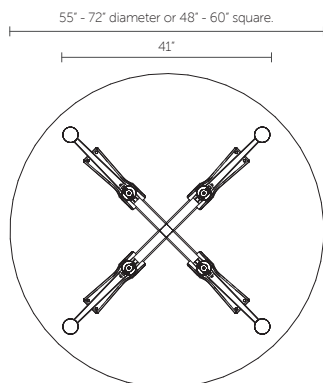
55" - 72" diameter or  
48" - 60" square.

**STANDARD FEATURES**

- Black powdercoated posts & rails, polished alloy feet, collars & connectors
- Leveling glides

**STANDARD WORKTOP SIZES**

- 36" D
- 42" D
- 60" D
- 24" x 24"
- 39" x 39"



TORONTO + 416 441 9898



ANVIL



AXIS



AGILE



STORAGE



MODULUS



MODULUS



UNI FLIP