

Modulus Flip Table

Installation Guide

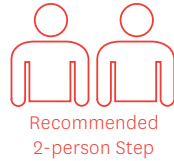
TOOLS REQUIRED: Powered screwdriver



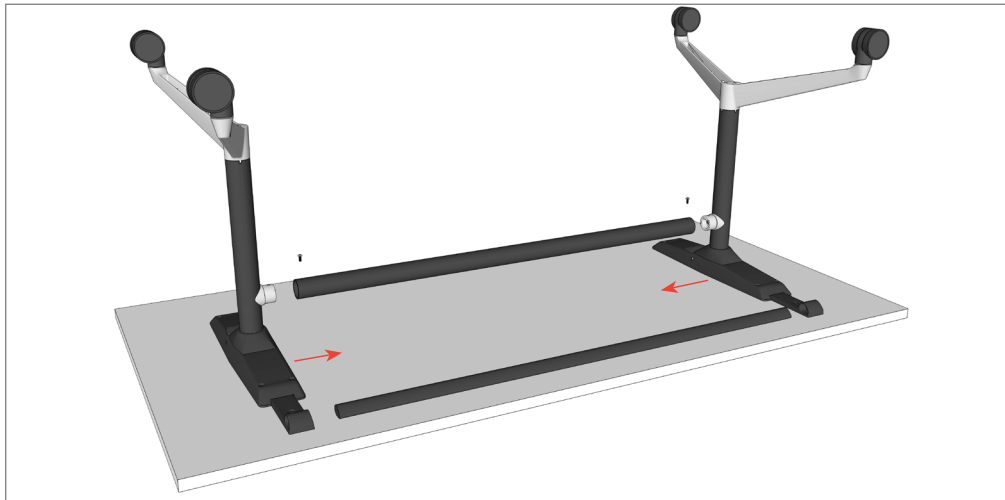
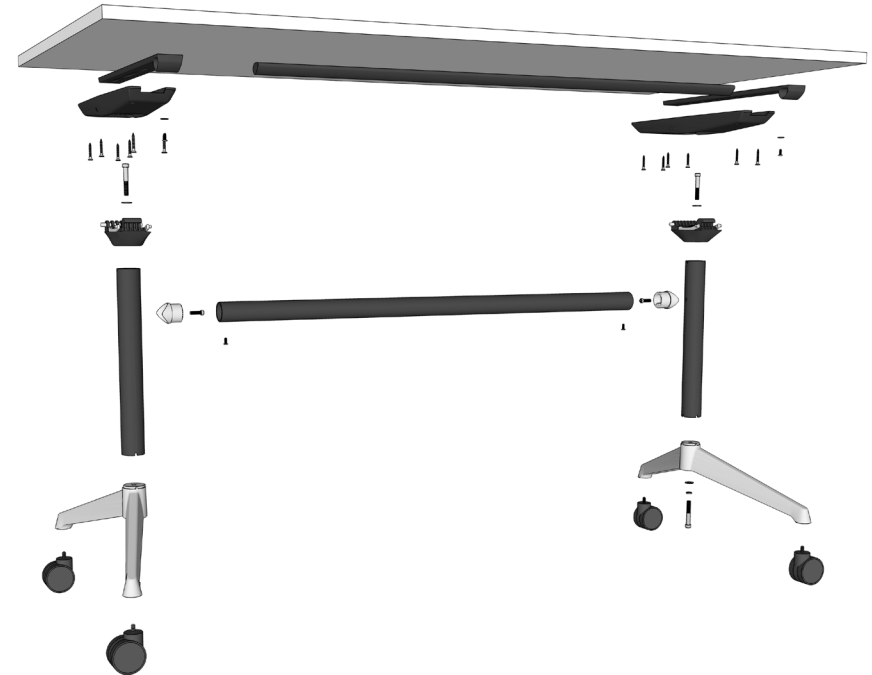
Modulus Flip Table

Installation Guide

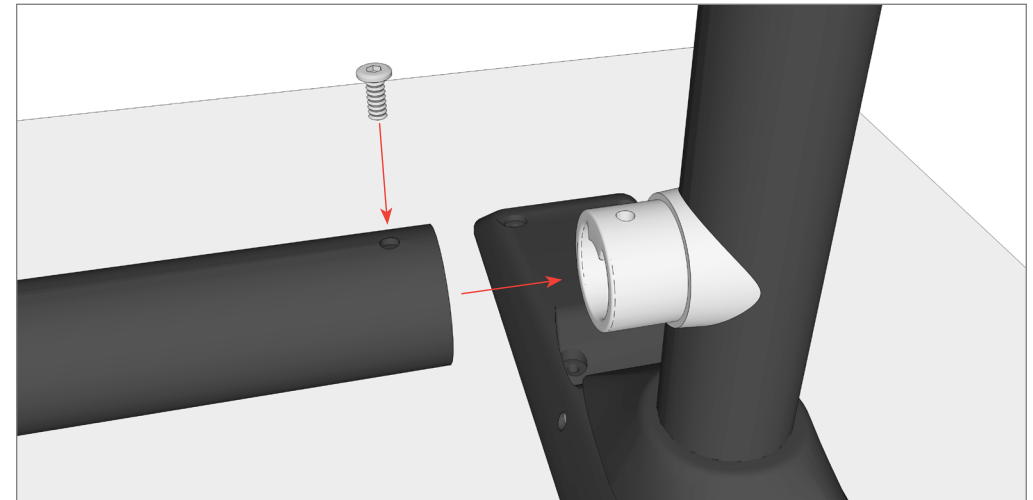
* To prevent possible scratches or damage, assemble the table upside down on a soft surface such as a blanket, carpet or packaging.



* Attach Leg to the Top assembly by using Bolts, spring washer, flat washer. Tighten using the Allen Wrench provided.



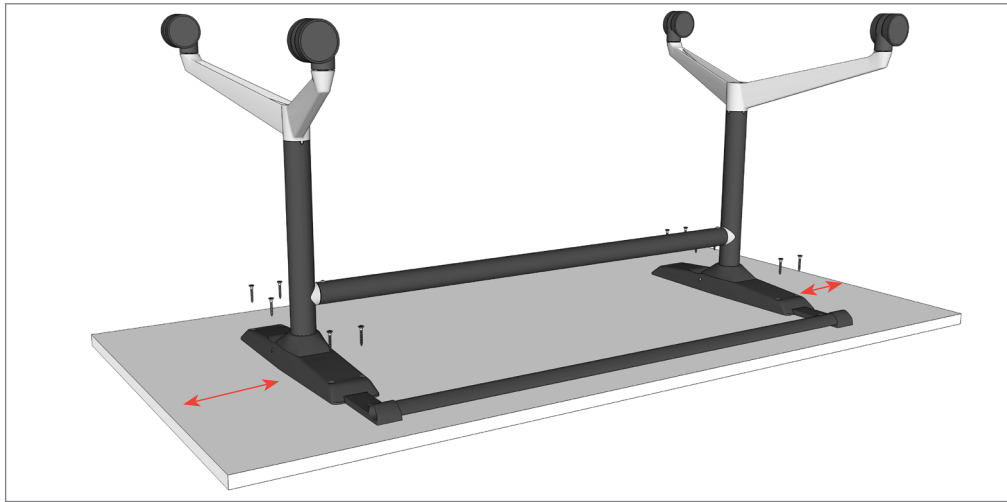
STEP 1: Place the pull bar (a) and cross tube (b) in the correct location pictured above, slide the 2 end legs in place



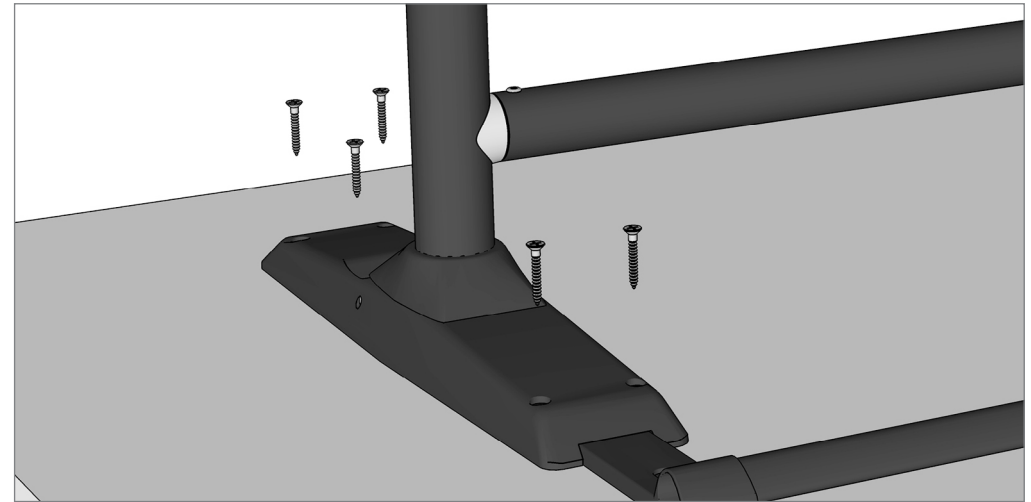
STEP 2: Fully tighten 2 small screws into the cross tube.

Modulus Flip Table

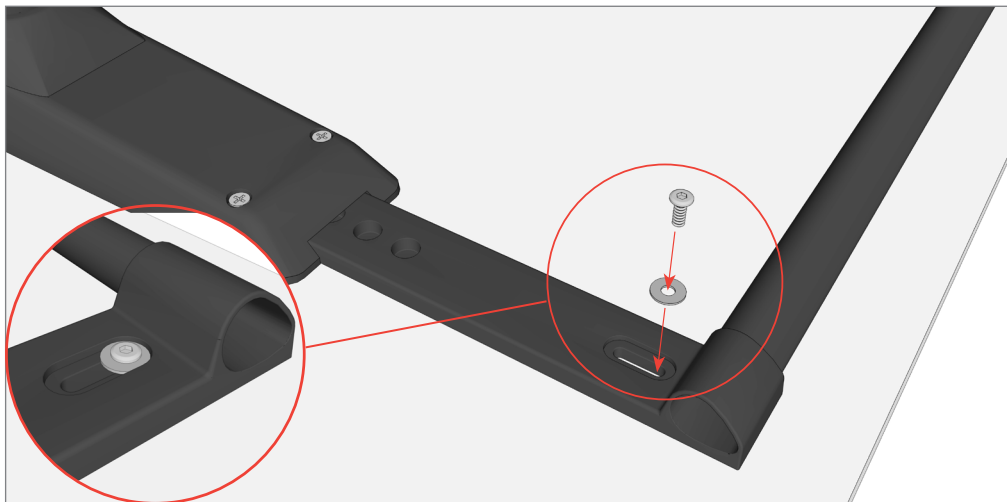
Installation Guide



STEP 3: Ensure the frame is located in the centre of the worksurface.



STEP 4: Fully tighten all 6 screws on each mechanism.



STEP 5: On all tables with width larger than 700mm, secure the pull bar with the supplied washer and screw in the location pictured above (slot end closest to the pull-bar). Leave screw 1 turn from tight so the pull-bar can be operated smoothly.



COMPLETE: Using 2 people rotate table into upright position.