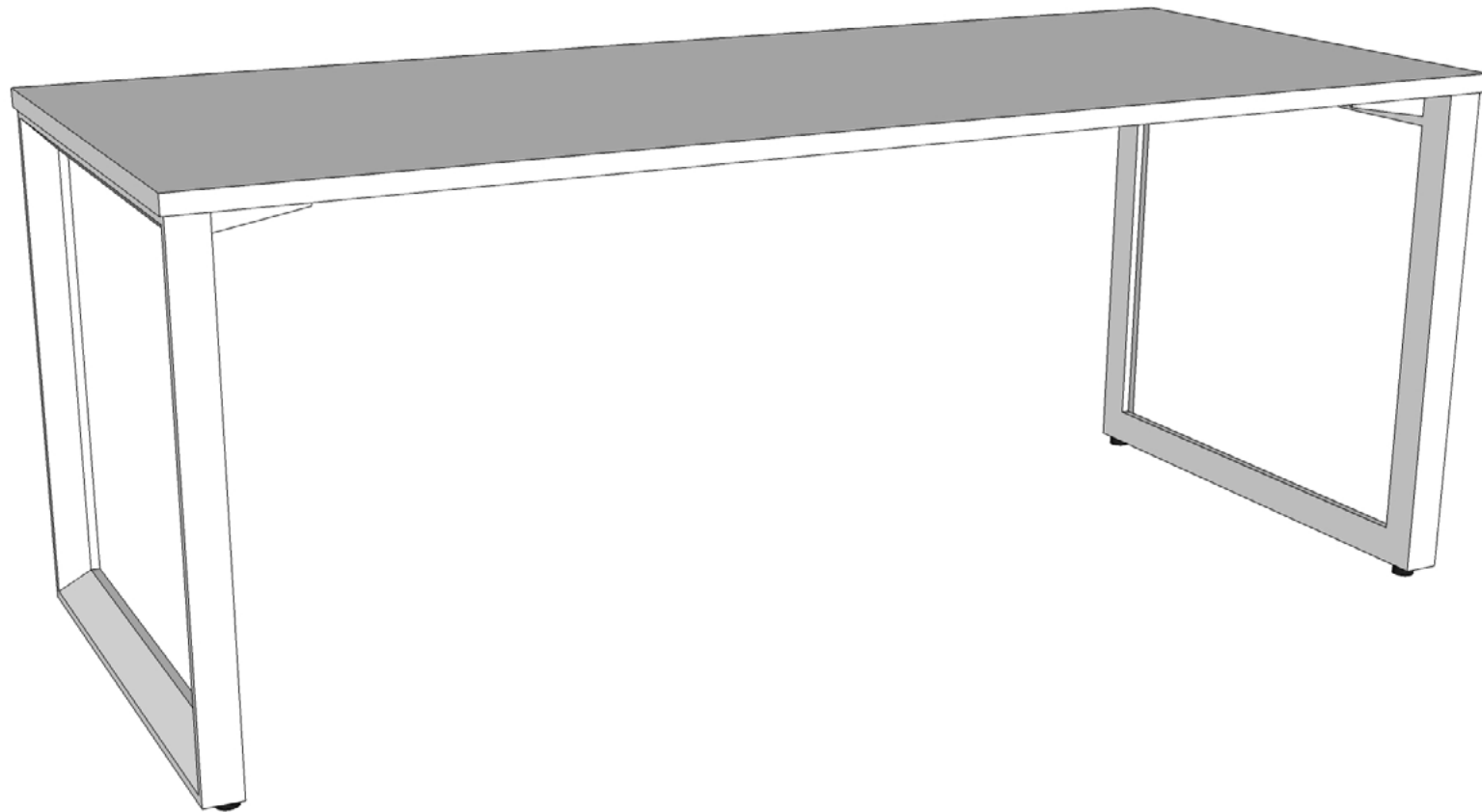


# *Axis/Anvil Desk*

## Installation Guide



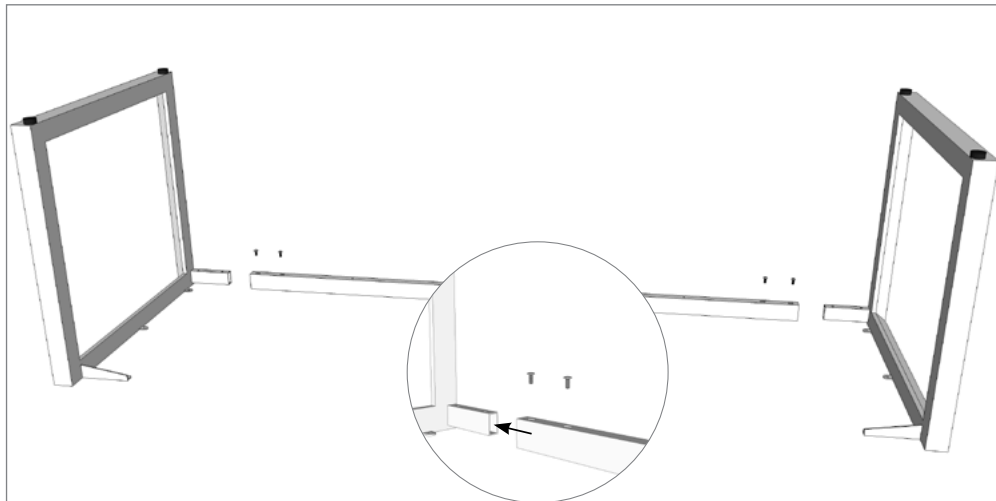
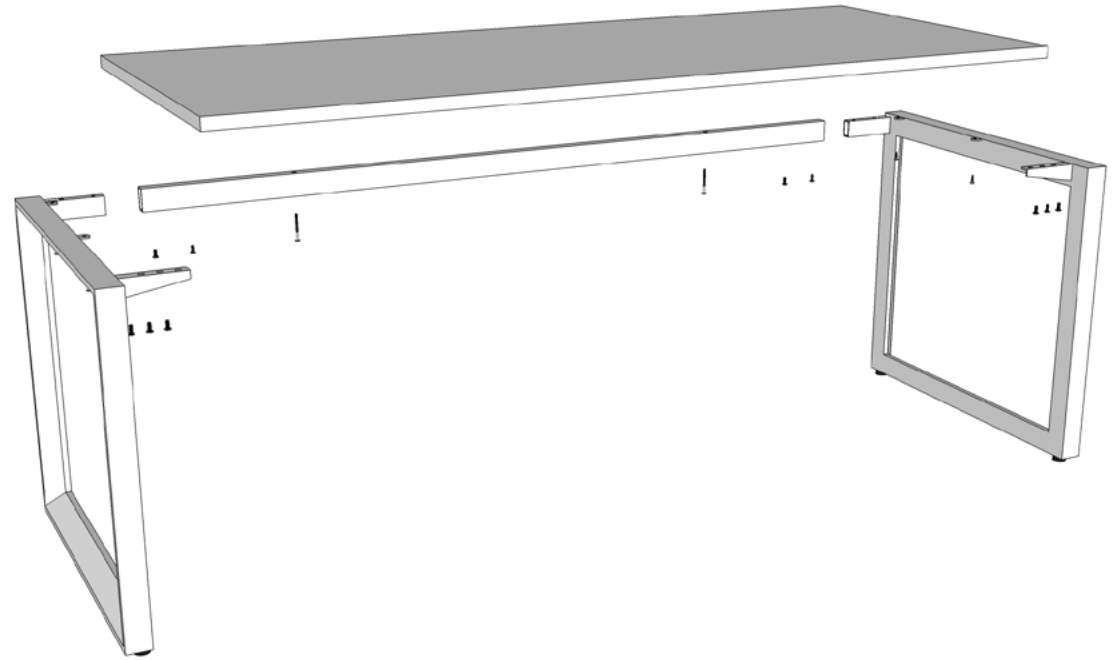
# Axis/Anvil Desk

## Installation Guide

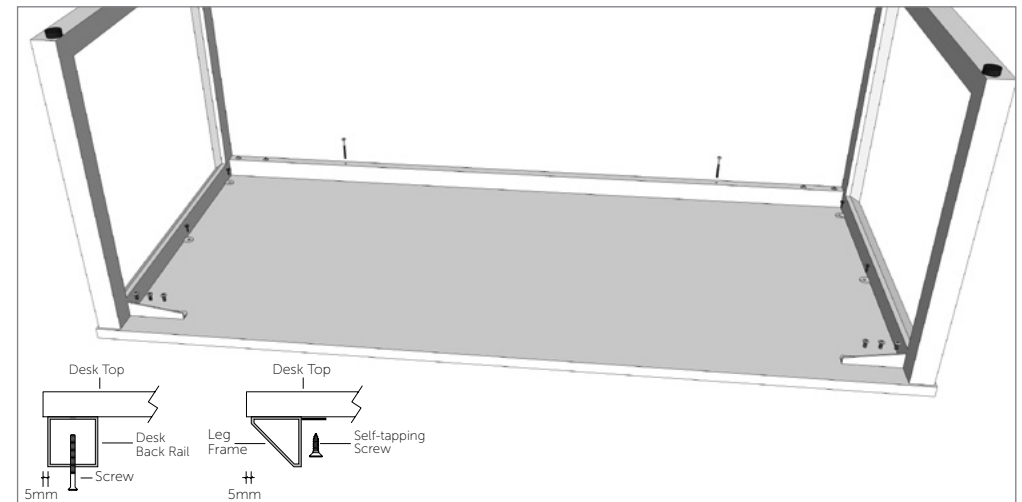
\* To prevent possible scratches or damage, assemble the Desk upside down on a soft surface such as a blanket, carpet or packaging.



\* Attach Leg to the Top assembly by using Bolts, spring washer, flat washer. Tighten using the Allen Wrench provided.



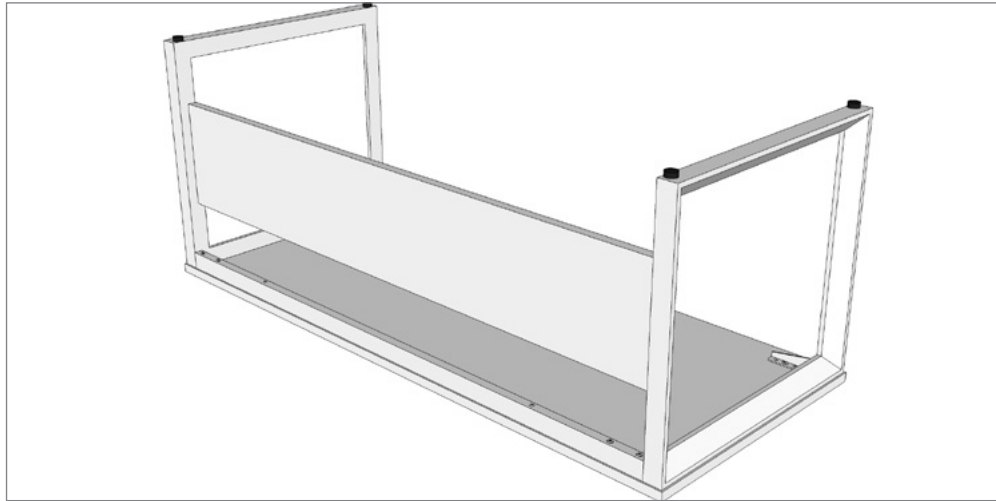
**STEP 1:** Loosely assemble frames & rails together (1 turn from tight).



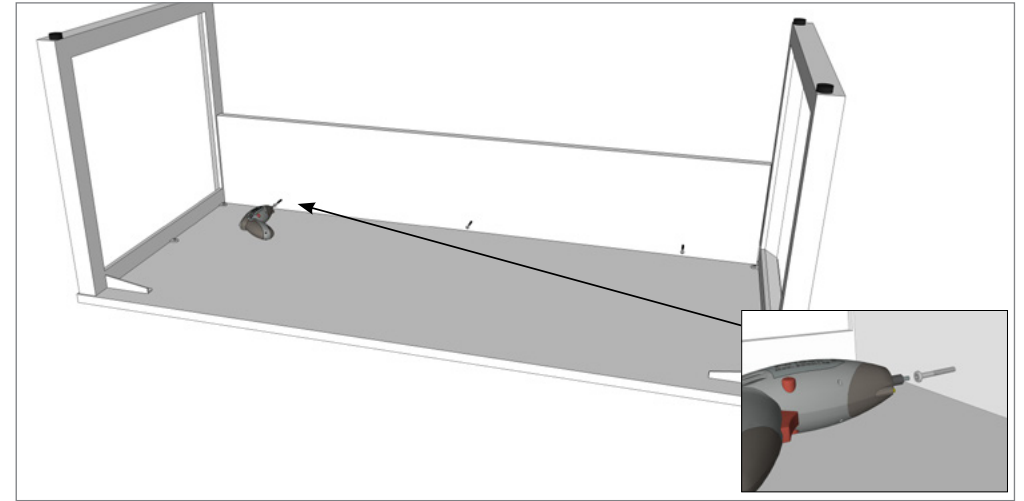
**STEP 2:** Fix desk frame to worktop, allowing for a 5mm overhang on all sides. Fully tighten all rail to frame screws.

# Axis/Anvil Desk (With Modesty)

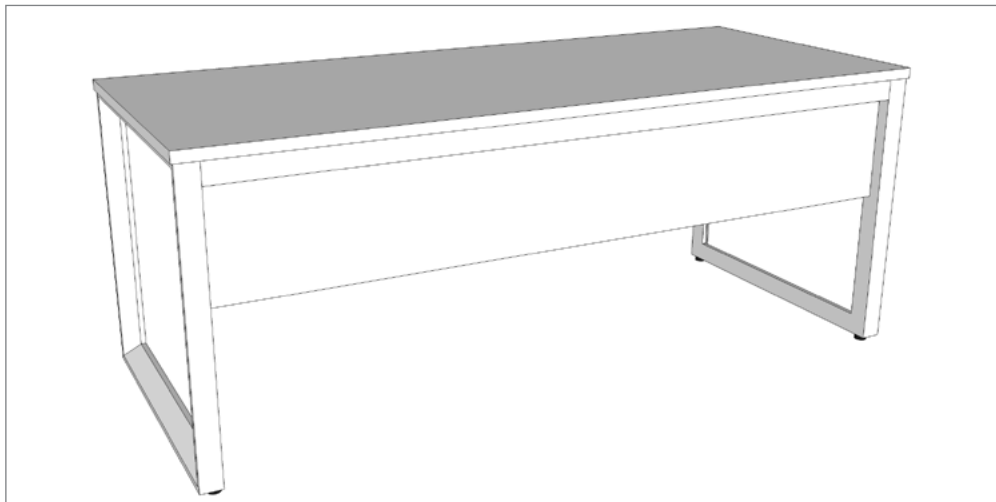
## Installation Guide



**STEP 3:** Position the modesty behind the rail.



**STEP 4:** Pre-drill holes into the modesty and fully tighten the modesty to the rail with provided screws.



**STEP 5:** Using two people, carefully set the Desk upright and position.