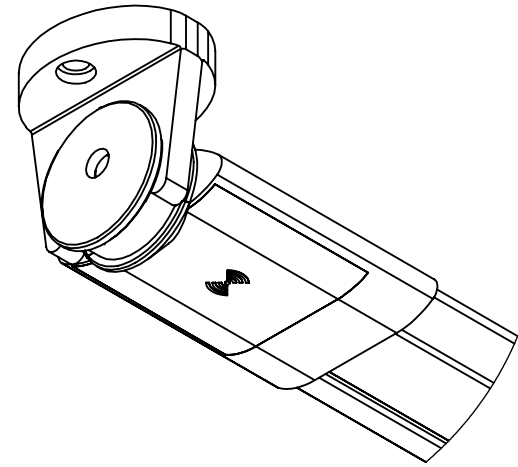
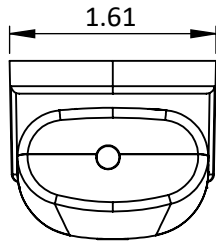
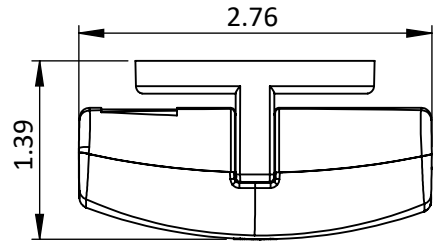


2

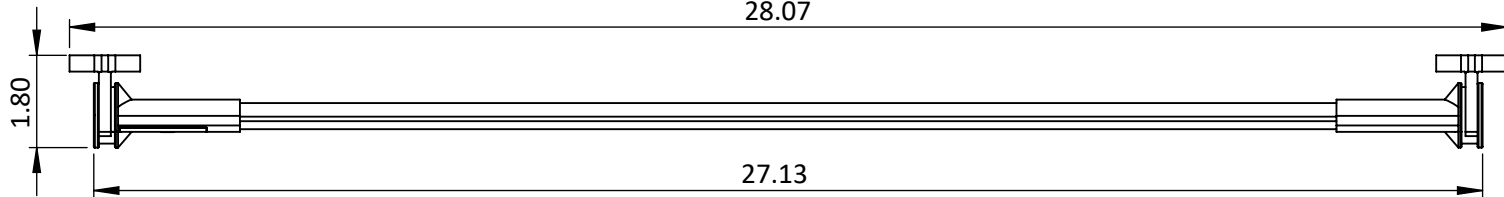
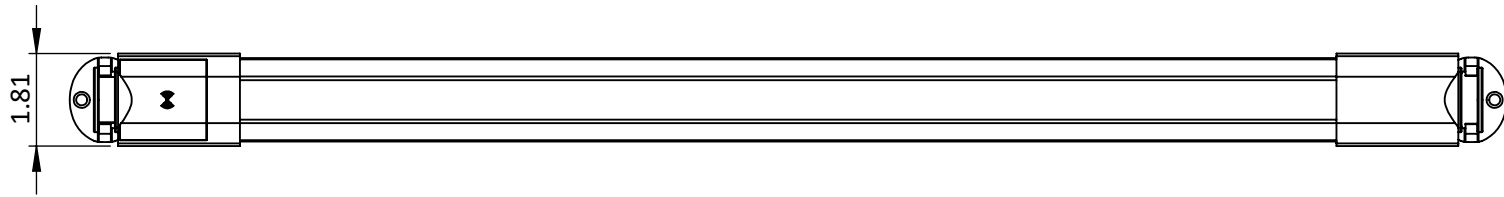
1

Motion Sensor



B

B



A

A



DWG TITLE

LT\_Value Series

REV

-

DESCRIPTION

Lighting, Value Series

SIZE

A

**PROPRIETARY AND CONFIDENTIAL**  
 THE INFORMATION CONTAINED IN THIS  
 DRAWING IS THE SOLE PROPERTY OF  
 SYMMETRY OFFICE. ANY REPRODUCTION  
 IN PART OR AS A WHOLE WITHOUT THE  
 WRITTEN PERMISSION OF SYMMETRY  
 OFFICE IS PROHIBITED.

2

1