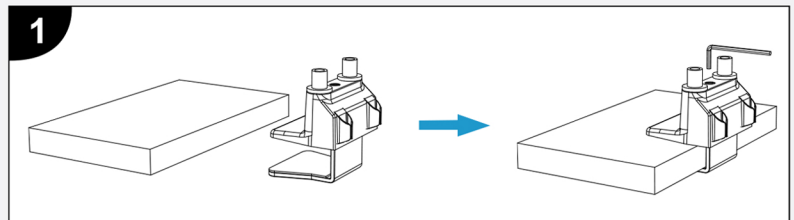


# Quick Installation Guide

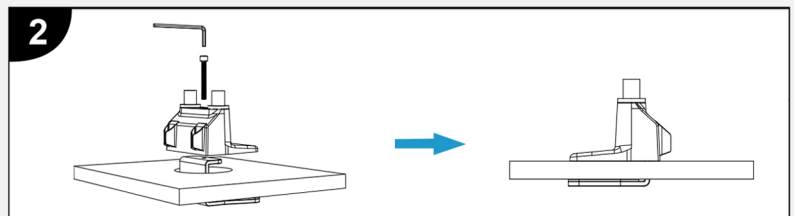
## Executive Series Dual Monitor Arm Installation

### Base Installation - Clamp Style

**Step 1** - Fit clamp over the edge of the desk in desired location and tighten using provided allen wrench as shown in Figure #1.



**Step 2** - Clamp may also be fitted into the cable guide hole featured on some desks. Insert the bottom half of clamp into opening and tighten into place as shown in Figure #2.

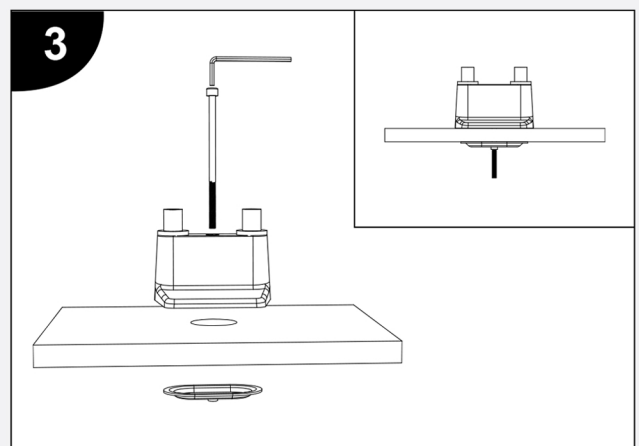


### Base Installation - Grommet Style

**Step 1** - Locate and mark installation site. Drill pilot hole.

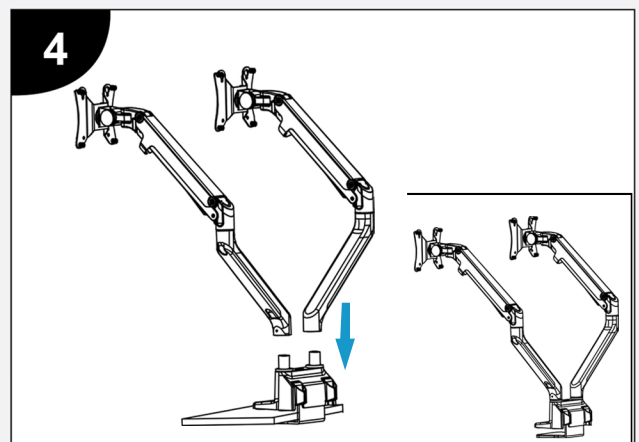
**Step 2** - Separate lower section of clamp by removing center bolt and set aside.

**Step 3** - Install long bolt through base and desk top. Thread grommet plate over bolt and tighten with grommet nut as shown in Figure #3.



### Arm Installation

**Step 1** - Install arms into base as shown in Figure #4.

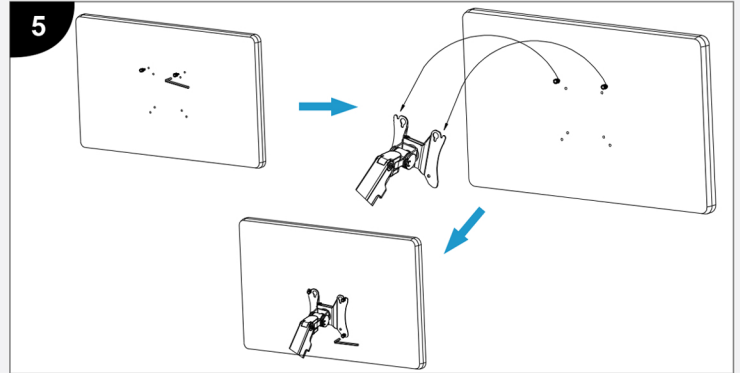


# Quick Installation Guide (continue)

## Executive Series Dual Monitor Arm Installation

### VESA Bracket/Monitor Installation

1. Using the enclosed Monitor Screws, install screws in the top 2 VESA holes only.
2. For monitors with a 100mm x 100mm hole pattern, align screws with the slots on the top of the VESA Bracket and slide into place.
3. Install remaining 2 monitor screws and tighten all 4 to secure your monitor.
4. If your Monitor has a 75mm hole pattern you will use the 4 inside holes on the VESA Bracket.
5. Repeat for second monitor.

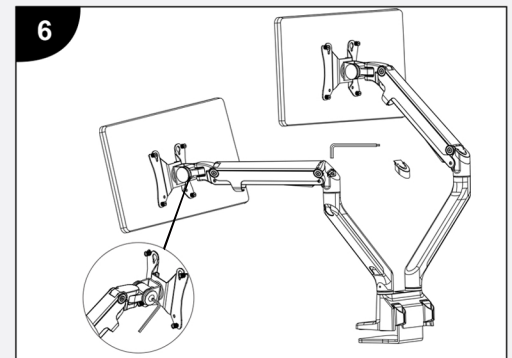


### Adjust Arm Tension

**Step 1** - In order to adjust the tension of the monitor arms according to the weight of the monitor the arm must be lowered to a horizontal position as shown in Figure #6.

**Step 2** - Using the provided allen wrench adjust the arm's tension to hold your arm in the proper position. Rotate the wrench counter-clockwise (+) to tighten the arm for heavier monitors. And rotate the wrench clockwise (-) to loosen the arm for lighter monitors.

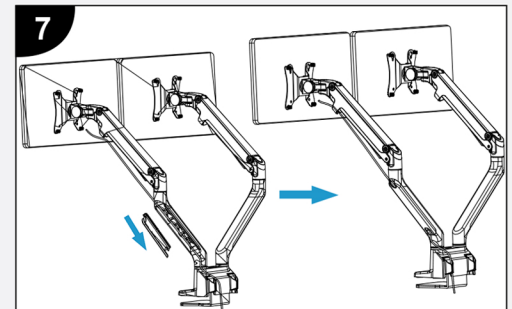
**Step 3** - Using the provided allen wrench to tighten the screws for heavier monitors.




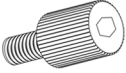



### Cable Management

Monitor cables may be threaded through the upper and lower arm sections in order to complete the installation. As shown in Figure #7.

**Note:** An allowance of extra cable should be left to accommodate arm movement.



## Parts list - Executive Series Single Monitor Arm

Item	Description	Quantity	Item	Description	Quantity
	Desk Clamp Base	1		Monitor Screw	8
	ARM/VESA Bracket	2		Allen Wrench	1
	Grommet Plate and Clamp Screw	1			