

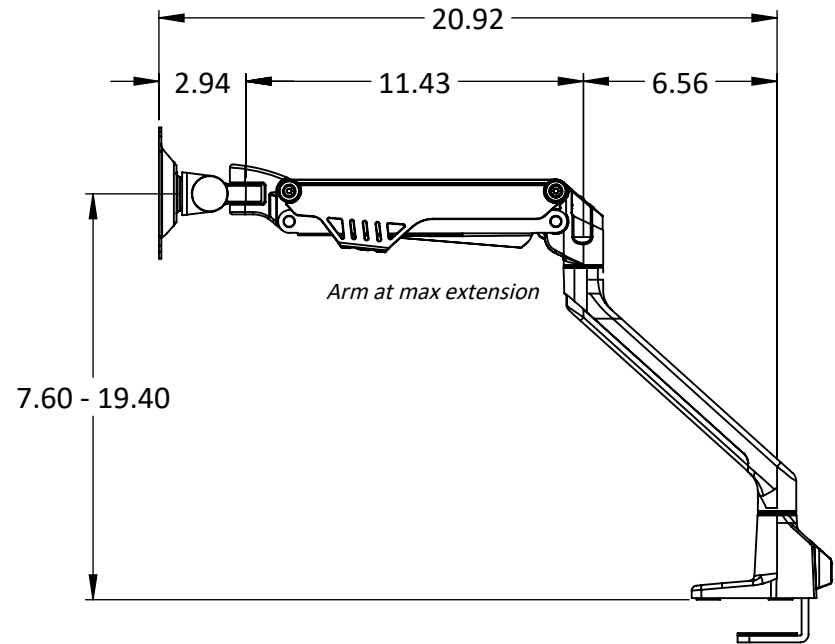
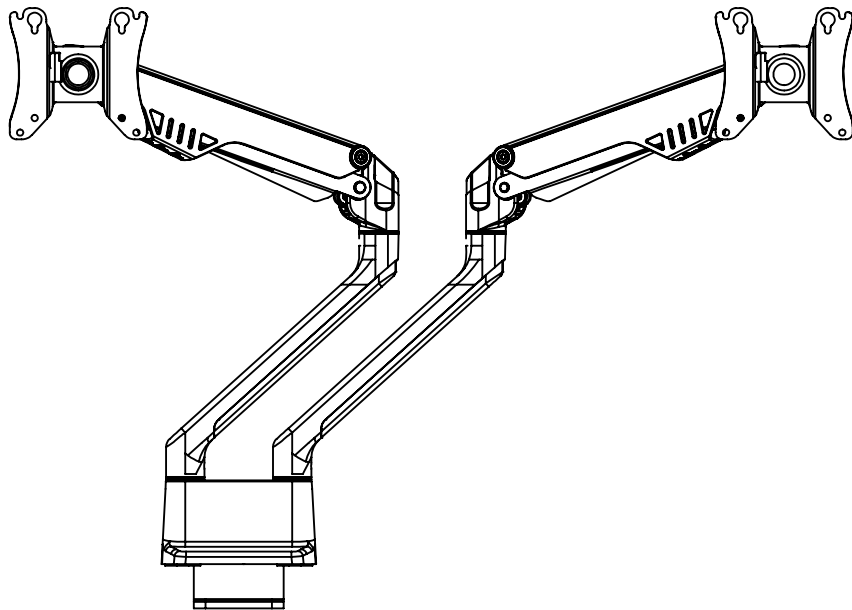
2

1

VESA compatibility	75mm, 100mm
Supported monitor sizes (diagonal)	17" - 29"
Weight capacity (per monitor)	4.4 lbs - 17.6 lbs
Table top thickness	0.00" - 1.60"

B

B



A

A



DWG TITLE	MA_Unity G2_Dual
DESCRIPTION	Monitor Arms, Unity G2, Dual

REV	-	PROPRIETARY AND CONFIDENTIAL THE INFORMATION CONTAINED IN THIS DRAWING IS THE SOLE PROPERTY OF SYMMETRY OFFICE. ANY REPRODUCTION IN PART OR AS A WHOLE WITHOUT THE WRITTEN PERMISSION OF SYMMETRY OFFICE IS PROHIBITED.
SIZE	A	

2

1