

PRODUCT SPECIFICATIONS ■

Strive® Task Chairs & Task Stools

April 2020

TECHNICAL SPECIFICATIONS

Backrest

Injection-molded polypropylene with integral steel cantilever springs. The combination of the slotted polypropylene back and the spring steel provides a supportive flexing back. Springs are nominal 4.5 mm diameter chrome silicon valve spring wire.

Seat and Shroud

Injection-molded polypropylene, attached directly to the structure.

Optional Upholstered Seat

Molded urethane foam is attached to an injection-molded polypropylene seat board, then upholstered using a draw-string process. The assembled seat pad is attached to the seat by means of hidden fasteners. Note: Upholstered seat is required with translucent poly backs.

Optional Upholstered Back

A 1/2" thick urethane foam is attached to an injection-molded polypropylene back board, then upholstered using a draw-string process. The assembled back pad is attached to the back by means of fasteners, which are exposed and are color-matched to the polypropylene.

Underseat Structure

Support structure is 13-gauge steel die-formed, welded to a 1" O.D. by 14-gauge tubular steel cross member.

Frame Finishes

Baked-on electrostatically-applied 30-degree gloss epoxy powder-coat paint.

Base

Injection-molded, glass-reinforced nylon 5-blade base (black or warm grey for task chair and stool). Casters have high-impact thermoplastic double-wheels. A single control paddle under the seat operates the height-adjusting pneumatic cylinder.

Casters

Casters are double-wheel (60 mm) high-impact thermoplastic. High-impact plastic frame. Casters are monochromatic with base. Carpet or hard floor casters are offered. Hard floor casters are black only.

Arms

When equipped with optional cantilever arms, the supporting structure is 7/8" O.D. by 13-gauge tubular steel, welded directly to the seat support structure, and matching the seat and back color. The armcaps are injection-molded glass filled polypropylene, matching the seat and back color (when back is Diamond translucent, armcaps are Light Tone; when back is Pewter translucent, armcaps are Flannel; when back is Bronze translucent, armcaps are Chocolate). The armcaps are attached to the steel structure by means of screws.

Task Stool

In addition to the standard-height task chair, a stool-height version is available. Task stools are equipped with a pneumatic cylinder, allowing adjustment of seat heights from 22" to 32 1/2". The 18" diameter, adjustable-height foot ring is made of die-cast aluminum with a chrome-plated tubular steel ring and black "spokes". Stools are only offered with black or warm grey bases. The cylinders are available in black only.

Comfort-Tilt Mechanism

Optional comfort-tilt mechanism is comprised of a die-cast aluminum main housing and a steel mounting plate, with four internal steel coil compression springs. The mechanism provides 7-degrees of rearward tilt and 4-degrees of forward tilt. The tilt resistance is not adjustable. A single lever allows for seat-height adjustment.



TECHNICAL SPECIFICATIONS

ChangeUp™ Tablet Arm

ChangeUp tablet support is integral to the chair frame and consists of a $\frac{7}{8}$ " diameter solid steel rod welded to the front and rear support tubes. A three-piece molded plastic armrest is included and attached to the chair frame using a #10 x $2\frac{1}{2}$ " Phillips pan head tapping screw.

The tablet mechanism consists a die-cast aluminum housing, upper and lower plastic bearings, and 11-gauge steel clamp and tablet board support plates. The tablet mechanism is clamped onto the chair frame over two plastic bushing halves and a $\frac{5}{16}$ " diameter by $1\frac{3}{4}$ " hardened steel pin with a die-cast aluminum cap secured with two $\frac{1}{4}$ -20 x $\frac{3}{4}$ " button socket head cap screws. The pin creates a solid 90° up/down pivot stop and the bushings provide a smooth, quiet operation. In the use position, the tablet mechanism rotates outward from the chair back an additional 20° and permits approximately $3\frac{1}{2}$ " of adjustment for ingress/egress without stowing the tablet.

The tablet worksurface is 21" wide by $13\frac{1}{2}$ " deep (235 square inches) is secured to the tablet board support plate with twelve #12 x $\frac{5}{8}$ " Phillips flat head tapping screws. The tablet board is made of 18 mm Baltic Birch plywood with .040" high-pressure laminate top surface and .02" thick phenolic backer surface for an overall board thickness of approximately $\frac{3}{4}$ ". Edges are lacquered with a clear finish and sealed. The factory installed tablet assembly is not field installable and may not be removed.

Compliance

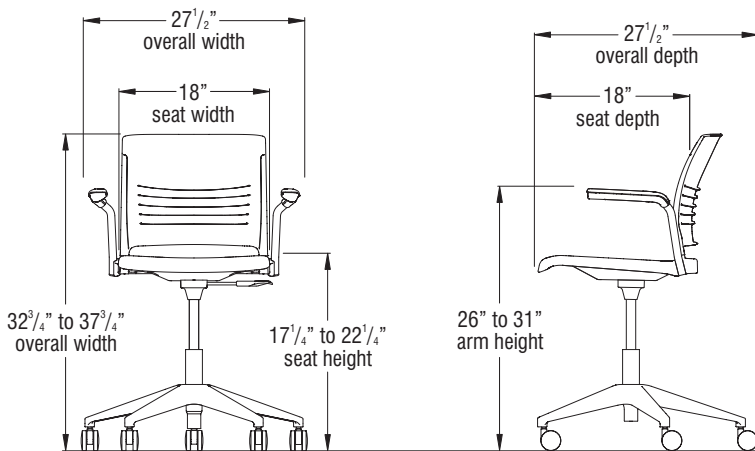
Support frame, mechanism and worksurface passes KI's internal testing for 250-pound weight capacity.

CODE COMPLIANCE

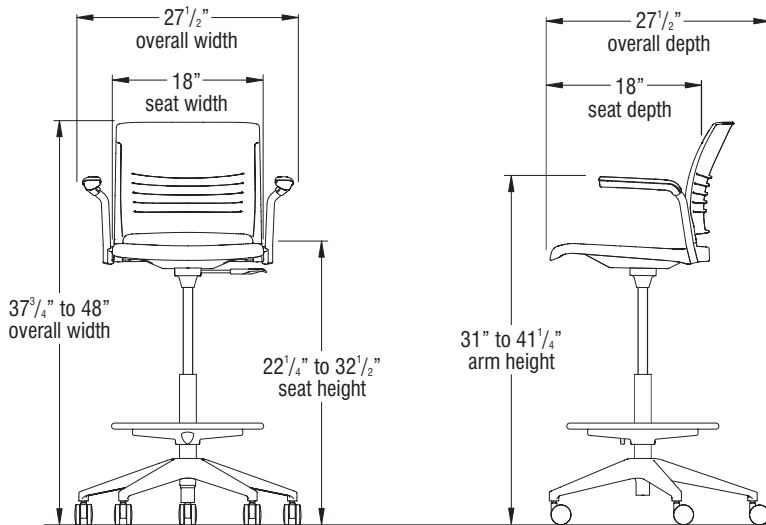


DIMENSIONS

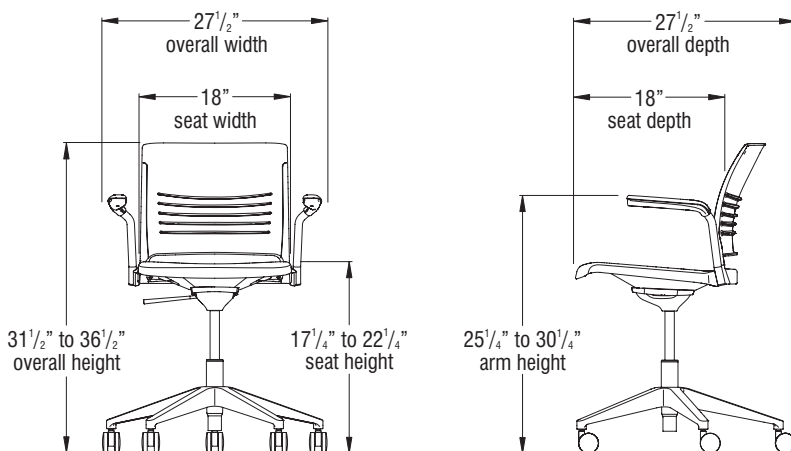
Strive Task Cantilever Armchair



Strive Task Cantilever Arm Stool



Strive Task Armless Chair with Comfort-Tilt Option

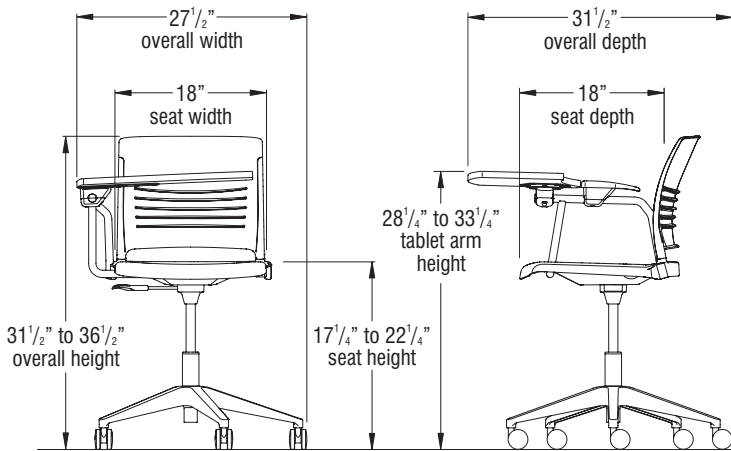


CODE COMPLIANCE

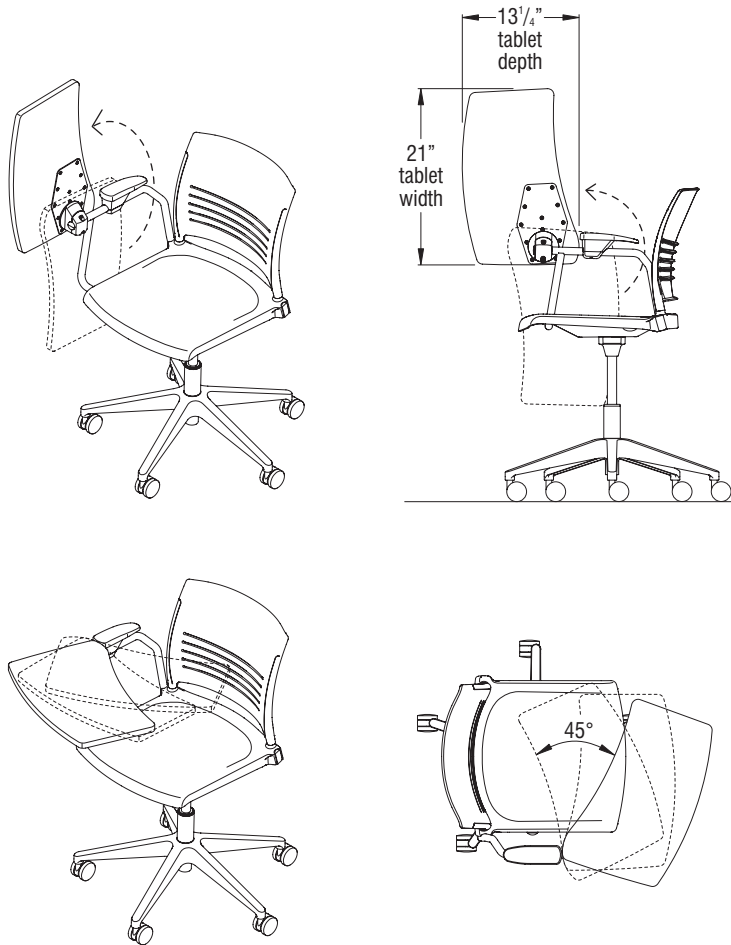


DIMENSIONS

Strive Task ChangeUp Tablet Armchair



ChangeUp Tablet Arm



CODE COMPLIANCE



STATEMENT OF LINE

Strive Task Armless Chair



SPDNAP



SPDNAU



SPDNAUB

Strive Task Cantilever Armchair



SPDCAP

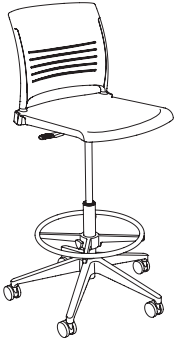


SPDCAU



SPDCAUB

Strive Task Armless Stool



SPSNAP

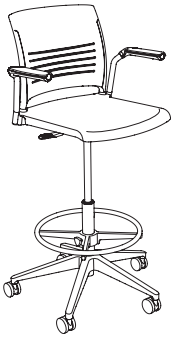


SPSNAU

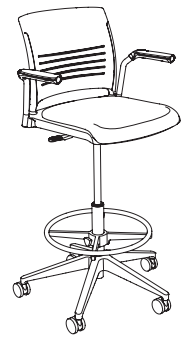


SPSNAUB

Strive Task Cantilever Arm Stool



SPSCAP



SPSCAU



SPSCAUB

CODE COMPLIANCE



STATEMENT OF LINE

CODE COMPLIANCE

Strive Task Armless Chair with Comfort-Tilt Option



SMTNAP



SMTNAU



SMTNAUB

Strive Task Cantilever Armchair with Comfort-Tilt Option



SMTCAP



SMTCAU



SMTCAUB

Strive Task ChangeUp Tablet Armchair



SPDCUTAPRH



SPDCUTAUBRH

