

PRODUCT SPECIFICATIONS ■

Strive® High-Density Sled Base Stack Chair & Stool

March 2020

TECHNICAL SPECIFICATIONS

Seat

Injection-molded polypropylene seat.

Backrest

Injection molded polypropylene with integral steel cantilever springs. The combination of the slotted polypropylene back and the spring steel provides a supportive flexing back. Springs are nominal 4.5 mm diameter chrome silicon valve spring wire. Top of backrest has an integral handle for ease of lifting and stacking.

Chair & Stool Frames & Finishes

$\frac{7}{16}$ " solid steel rod, all joints welded. Finished in bright nickel-chrome or with electrostatically-applied epoxy powder-coat paint.

Optional Upholstered Seat

Molded urethane foam (soy based) is attached to an injection-molded polypropylene seat board, then upholstered using a draw-string process. The assembled seat pad is attached to the seat by means of hidden fasteners. Note: upholstered seat is required with translucent poly backs.

Transport Dolly

Tubular and plate steel welded together. 5" casters: two fixed, two swivel. Powder-coated finish.

Tablet Arm

$\frac{7}{16}$ " solid steel rod frame, hinged tablet for easy access. Tablet has plywood core; high-pressure laminate surface. Round tablet edge with clear lacquer finish. Bright chrome frame only. Chairs are nonstacking when attached, not available for use with powder-coated frame chairs. Tablet fits chairs only; does not fit stools. Tablet flips up for easy access. Ganging with tablet is not recommended.



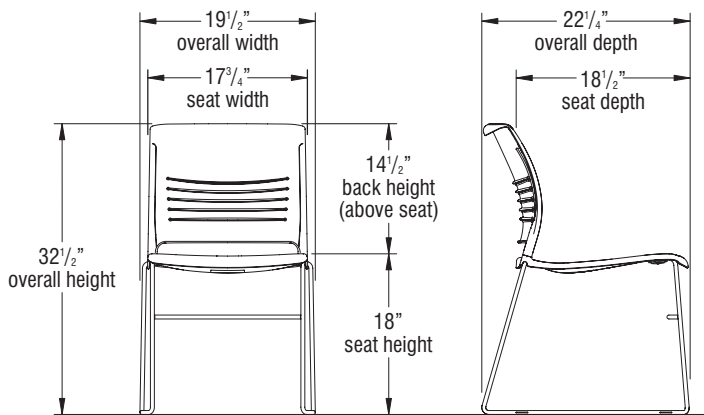
CODE COMPLIANCE



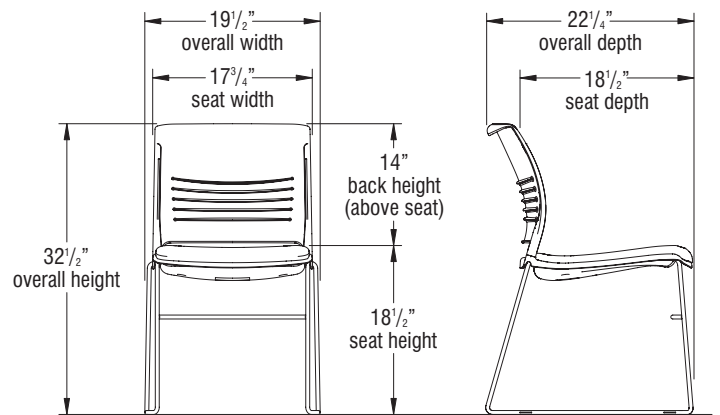
Furnishing Knowledge®

DIMENSIONS

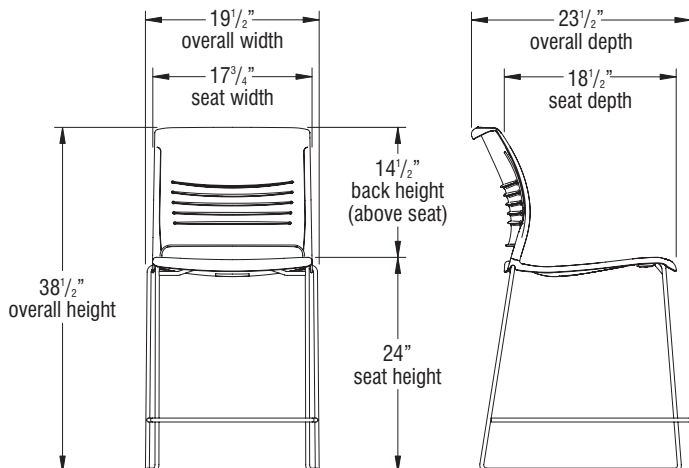
Strive High-Density Sled Base Chair -
Polypropylene Seat & Backrest



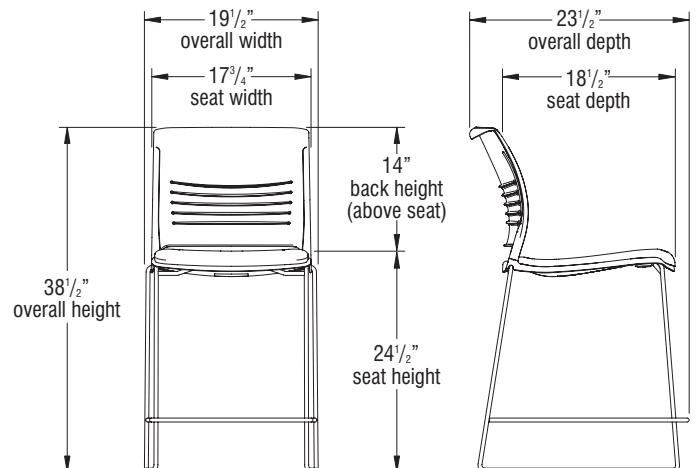
Strive High-Density Sled Base Chair -
Upholstered Seat & Polypropylene Backrest



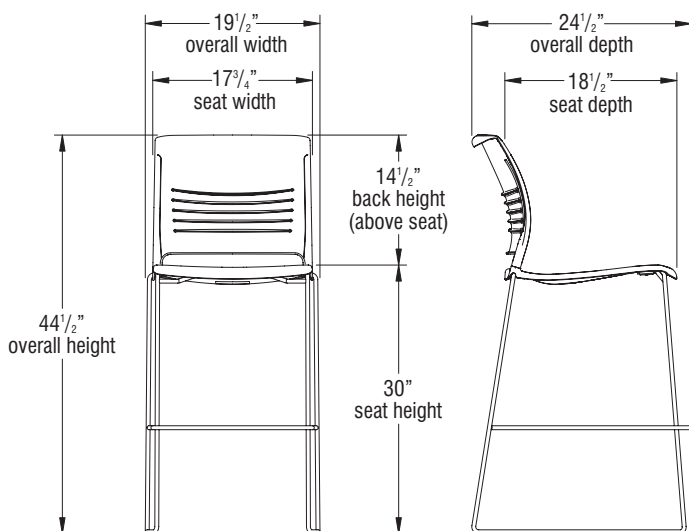
Strive High-Density 24" Sled Base Stool -
Polypropylene Seat & Backrest



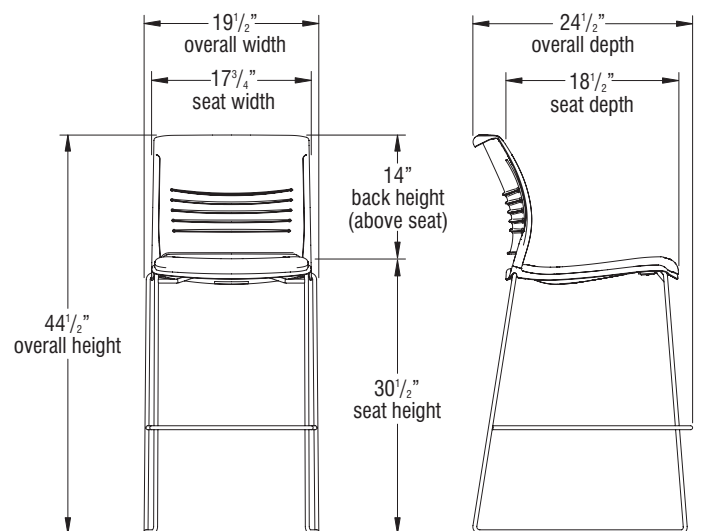
Strive High-Density 24" Sled Base Stool -
Upholstered Seat & Polypropylene Backrest



Strive High-Density 30" Sled Base Stool -
Polypropylene Seat & Backrest

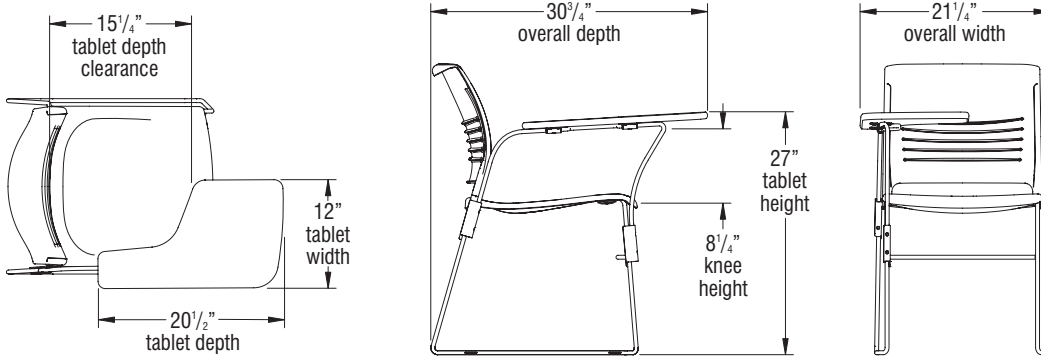


Strive High-Density 30" Sled Base Stool -
Upholstered Seat & Polypropylene Backrest



DIMENSIONS

Strive High-Density Chair with Tablet Arm



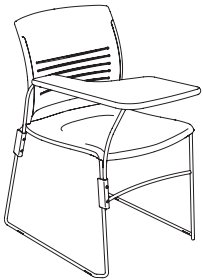
CODE COMPLIANCE



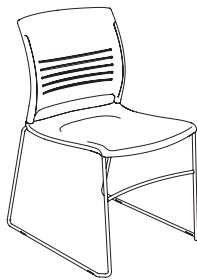
STATEMENT OF LINE

All models are available in polypropylene seat/backrest or upholstered seat/polypropylene backrest.

Strive High-Density Sled Base Stack Chair

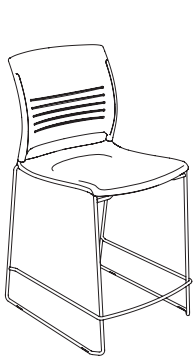


SWNA with SWTAR

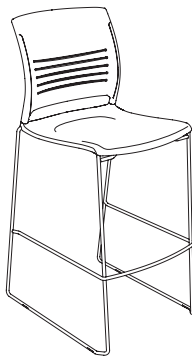


SWNA

Strive High-Density Sled Base Stack Stools



SWSNAP24



SWSNAP30