

MONITOR ARMS

KING COBRA

Smooth. Flexible. Sharp. That's exactly how our King Cobra works. Support your monitor displays and get your displays up and running with a line of extra-sturdy, die-cast aluminum arms that eliminates desktop clutter and stress.

The King Cobra series helps you quickly set up your computer screens with simple installation and convenient, built-in functionality. It makes work easier (and smarter) with foldable arms, standard power and USB options, as well as portrait and landscape view screen adjustability.

FEATURES

- Die-cast aluminum construction provides greater stability and contains high-recycled material
- A variety of foldable, gas-type arms in light duty, heavy duty and high-splitter configurations
- Installs easily with clamp mount and 10-ft power cord
- Standard power and USB
- Portrait and landscape view-adjustable VESA Plate
- Manages clutter with standard wire management system built into monitor arms
- Comes standard in silver finish
- Provides up to 20 lb of support per screen

1. Monitor Arm

Product Type	Code	Price
Single Screen Light Duty	3101.MAT01.MAC01	\$531
Single Screen Heavy Duty	3101.MAT02.MAC01	\$558
Dual-Screen Array Heavy Duty	3101.MAT03.MAC01	\$622
Dual-Screen High-Splitter Heavy Duty	3101.MAT04.MAC01	\$777

2. Monitor Arm Slider (Optional)

Slider Type	Code	Price
Single Slider	MAT00.MAA01	+ \$113
Dual Sliders f	MAT00.MAA02	+ \$226

KING COBRA CODE

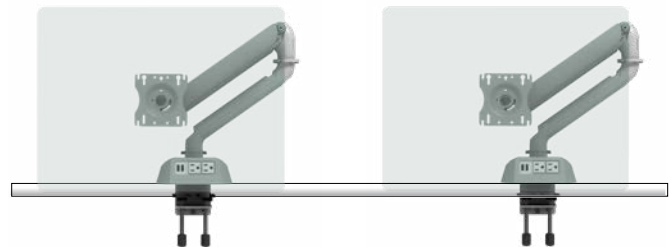
SAMPLE CODE: 3101.MAT01.MAC01.MAT00.MAA01

3101.MAT01.MAC01

MAT00.MAT25

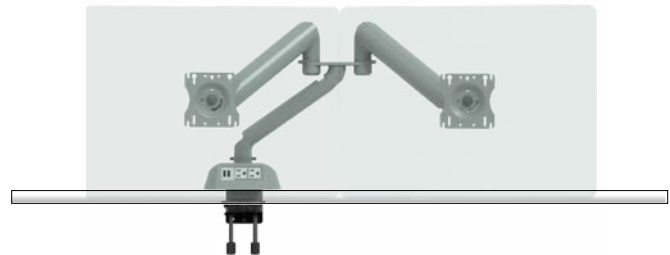
PRODUCT TYPE

SLIDER TYPE (OPTIONAL)

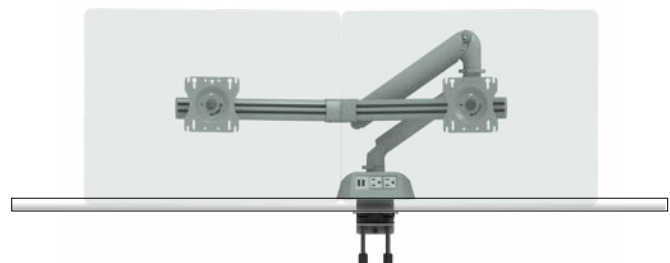


Single Screen

Single Screen Heavy Duty



Dual-Screen High-Splitter



Dual-Screen Array Heavy Duty

MONITOR ARMS

MOBIO

When you're hard at work, you need a workspace that works hard for you. So outperform and outlast with Mobio. Built for a wide range of motion and ultra-reliability, this is your go-to solution for monitor arms that maximize your space and support every need.

With compact design and die cast aluminum construction, Mobio monitor arms are designed for greater stability, flexibility and unmatched performance.

FEATURES:

- Choose the single-desk, dual-desk or pole-mount option
- Built-in spring tension gauge enables perfect weight adjustment
- Compact aluminum arm design maximizes desktop space
- Installs easily with quick-release VESA plate
- Die cast aluminum construction ensures stability and performance
- Mobio arms support 3.3–17.6 lb
- Gas spring mechanism delivers smooth vertical adjustment
- Available in silver or black
- Two pass-through USB ports come standard
- 12-year warranty

1. Monitor Arm Type

Product	Mounts	Code	Price
Single Pole	1	3210.MAT30	\$309
Dual Pole	2	3210.MAT31	\$557
Triple Pole	3	3210.MAT32	\$646
Single Desk	1	3210.MAT33	\$243
Dual Desk	2	3210.MAT34	\$485

2. Accessories

Options	Code	Price
No Accessories	MAA00	+ \$0
Laptop Tray	MAA03	+ \$99

3. Monitor Arm Finish

Paint Color	Code	Price
Silver	MAC01	+ \$0
Black	MAC03	+ \$0

MOBIO CODE

SAMPLE CODE: 3210.MAT30.MAA03.MAC01

3210.MAT30

MAA03

MAC01

PRODUCT

ACCESSORIES

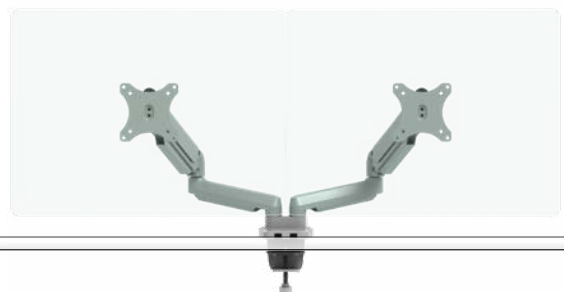
PAINT COLOR



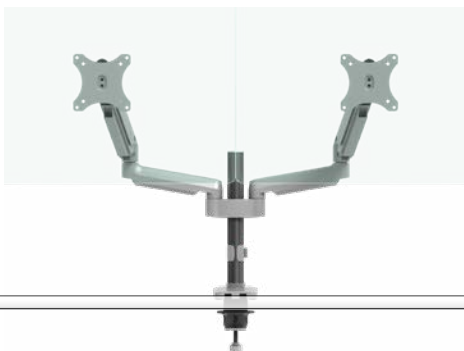
Mobio Single Desk



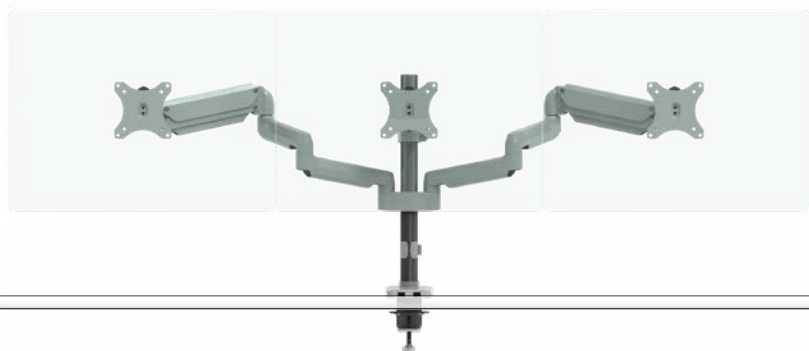
Mobio Single Pole



Mobio Dual Desk



Mobio Dual Pole



Mobio Triple Pole

MONITOR ARMS

MOBIO HD

Complement your Mobio arms with Mobio heavy-duty arms to fulfill multiple desk needs while providing a cohesive look to any space. Install this high-performing arm solution with a quick-release VESA plate and experience ultra-support for monitors up to 33 lb.

FEATURES:

- Choose the HD single-desk, dual-desk or dual-array option
- Compact aluminum arm design maximizes desktop space
- Die cast aluminum construction ensures stability and performance
- Gas spring mechanism delivers smooth vertical adjustment
- Built-in spring tension gauge enables perfect weight adjustment
- Installs easily with quick-release VESA plate
- Mobio HD arms support 2.2–33 lb
- Available in silver only
- Two pass-through USB ports come standard
- 12-year warranty

1. Monitor Arm Type

Product Type	Mounts	Code	Price
Heavy-Duty Single Desk	1	3210.MAT35	\$378
Heavy-Duty Dual Array	2	3210.MAT37	\$562
Heavy-Duty Dual Desk	2	3210.MAT36	\$849

2. Accessories

Options	Code	Price
No Accessories	MAA00	+ \$0
Laptop Tray	MAA03	+ \$99

3. Monitor Arm Finish

Paint Color	Code	Price
Silver	MAC01	+ \$0

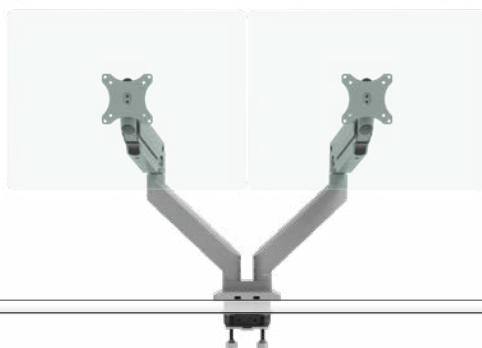
MOBIO CODE		
SAMPLE CODE: 3210.MAT35.MAA03.MAC01		
3210.MAT35	MAA03	MAC01
PRODUCT TYPE	OPTIONS	PAINT COLOR



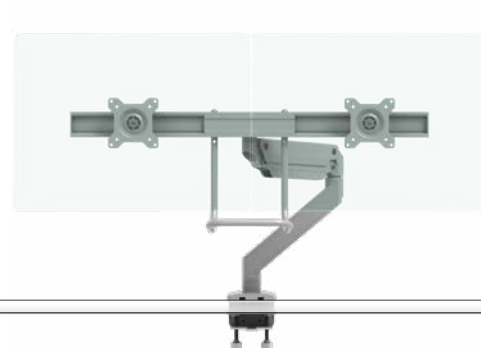
Mobio HD Single Desk



Mobio HD Laptop Tray



Mobio HD Dual Desk



Mobio HD Dual Array

MONITOR ARMS

UNITY G2

The Unity G2 Monitor Arm makes working solo (or with a team) hassle-free. Keep your screens grounded (but very adaptable) with these mountable, gas height-adjustable monitor arms.

Need to take a closer look or take a step back? These handy monitor arms let you adjust by pulling in (or pushing back) for quick, customized screen visibility. Need to share some information during a meeting? Just flip and adjust your screen with 180- and 360-degree screen rotation.

FEATURES

- Choose from single- and dual-arm gas-type arm configurations
- Select from silver and white arm finishes
- Install with included clamp
- Provide up to 17.6 lb of support per screen
- Switch up your view with portrait and landscape view-adjustable VESA Plate

1. Monitor Arms

Product Type	Code	Price
Single-Monitor Arm	3111.MAT06	\$268
Dual-Monitor Arm	3111.MAT07	\$535

2. Monitor Arm Finish

Paint Color	Code	Price
Silver	MAC01	+ \$0
White	MAC02	+ \$0

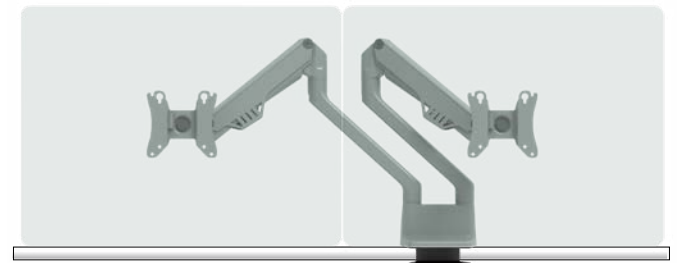
UNITY G2 CODE

SAMPLE CODE: 3111.MAT06.MAC01

3111.MAT06	MAC01
PRODUCT TYPE	PAINT COLOR



Single-Monitor Arm with Mount



Dual-Monitor Arm with Mount

SPECIFICATIONS

	3111.MAT06 Single-Monitor Arm	3111.MAT07 Dual-Monitor Arm
Monitors Supported	1	2
Maximum Weight Supported Per Arm	17.6 lb	17.6 lb
Supported Monitor Size	29"	29"
Maximum Height Adjustment	12"	12"
Maximum Arm Reach	20.7"	20.7"

All G2 monitor arms include mount(s).