

2

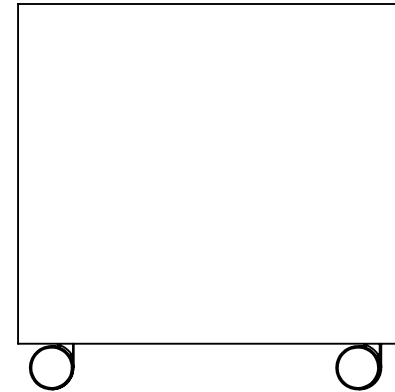
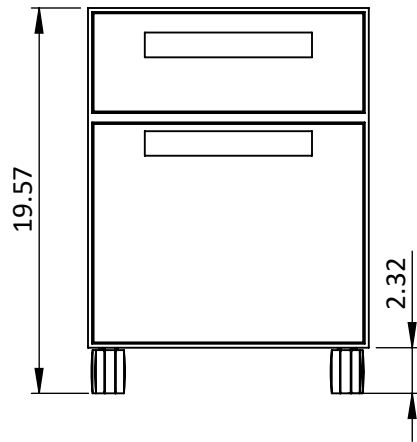
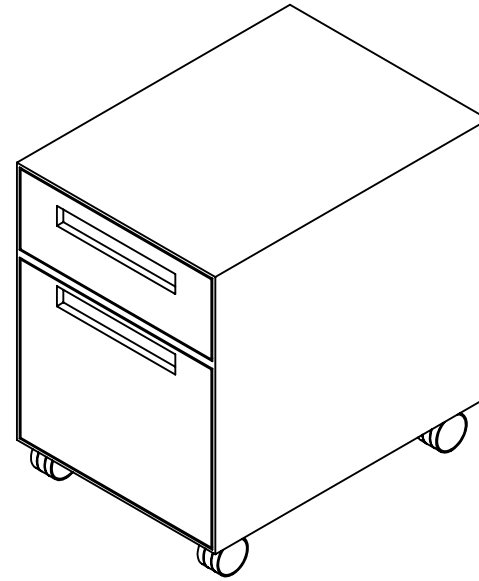
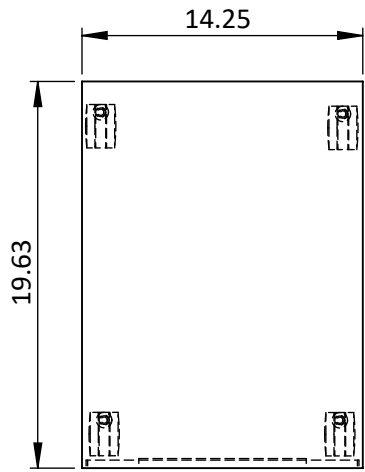
1

B

B

A

A



DWG TITLE

FL_Mobile Pedestal

REV

-

DESCRIPTION

Filing, Mobile Pedestal

SIZE

A

PROPRIETARY AND CONFIDENTIAL
 THE INFORMATION CONTAINED IN THIS
 DRAWING IS THE SOLE PROPERTY OF
 SYMMETRY OFFICE. ANY REPRODUCTION
 IN PART OR AS A WHOLE WITHOUT THE
 WRITTEN PERMISSION OF SYMMETRY
 OFFICE IS PROHIBITED.

2

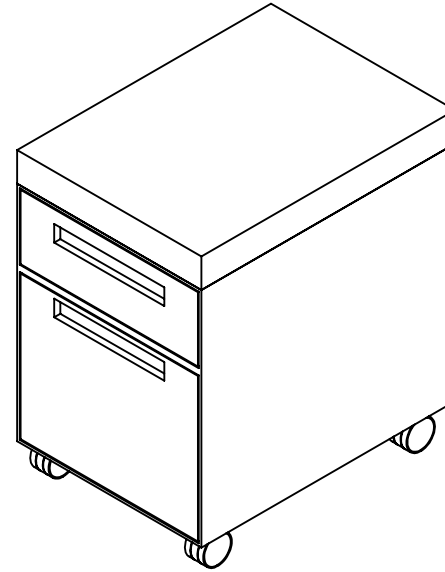
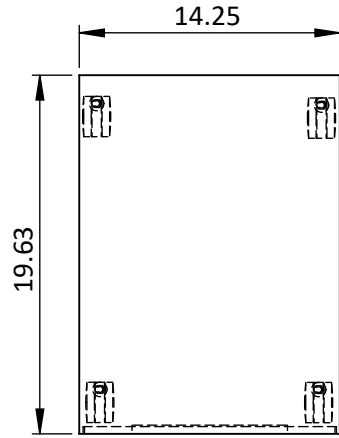
1

2

1

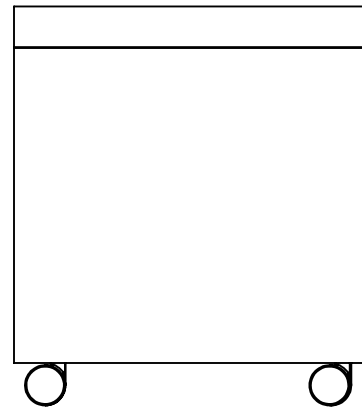
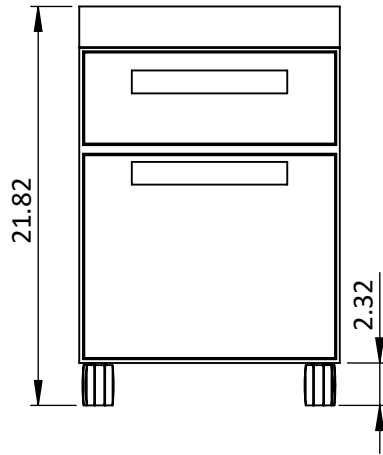
B

B



A

A



DWG TITLE

FL_Mobile Pedestal - Cushion

REV

-

DESCRIPTION

Filing, Mobile Pedestal, Cushion

SIZE

A

PROPRIETARY AND CONFIDENTIAL
 THE INFORMATION CONTAINED IN THIS
 DRAWING IS THE SOLE PROPERTY OF
 SYMMETRY OFFICE. ANY REPRODUCTION
 IN PART OR AS A WHOLE WITHOUT THE
 WRITTEN PERMISSION OF SYMMETRY
 OFFICE IS PROHIBITED.

2

1