

# PRODUCT SPECIFICATIONS ■

## LimeLite™ Seating

March 2023

### TECHNICAL SPECIFICATIONS

#### One-Piece Seat Shell

The seat and backrest are integrated into a single shell that is injection-molded in polypropylene, reinforced with glass fiber. The shell is ergonomically contoured and features a passive flex back movement for superior comfort.

#### Upholstered Seat (optional)

Molded urethane foam is attached to an injection-molded polypropylene seat board, then is upholstered using a draw-string process. The assembled seat pad is attached to the seat by means of hidden fasteners. Seat foam is nominal  $\frac{3}{4}$ " thickness.

#### Stack Chairs

##### Frames

Legs are made from  $\frac{7}{8}$ " O.D. by 13-gauge tubular steel. A single ring of  $\frac{1}{2}$ " diameter steel wire forms the crossmember. All joints are welded.

##### Frame Finishes

Frames are finished in either baked-on electrostatically-applied 30-degree gloss epoxy powder-coat paint, or bright nickel-chrome plating.

##### Armrests (optional)

When equipped with armrests, the support structure is a continuation of the rear leg, finished to match the frame color. The armrests are injection-molded glass-reinforced nylon with an internal structure of  $\frac{3}{8}$ " diameter steel wire and are press-fit into the support tube. Armrest color matches the frame finish, (except chrome and metallic finishes; which match the shell poly color).

##### Glides

##### 4-Leg Chairs

Three glide options are available; felt, plastic, and steel. A black nylon swivel glide body is press-fit into the end of the leg tube. Glide caps (felt, plastic, or steel) are snap-fit onto the glide body. These are field-replaceable and interchangeable.

##### Tubular Sled Base Chairs

In addition to "no glide", four glide options are available; non-skid, felt, plastic, and steel. A clear polycarbonate glide body is attached to the sled tube with a screw. Glide caps (non-skid, felt, plastic, or steel) have a black plastic structure and snap-fit onto the glide body. These are field-replaceable and interchangeable.

##### Casters

4-leg chairs may be ordered with dual surface casters, suitable for carpet or hard floors. Casters are 50 mm diameter, double-wheel, made of high-impact thermoplastic with softer elastomer over-molded on the wheel surfaces. Casters are available in Black, Warm Grey, or Cottonwood. (Cottonwood casters have Warm Grey elastomer on the surface that contacts the floor. All others are monochrome.)

##### Transport Dolly

Frame construction is welded tubular steel with black powder-coated finish and 5" wheels (two swivel and two fixed). The dolly fits 4-leg or sled base chairs and has a capacity of fifteen poly chairs or eight upholstered.



### Stack Chairs (cont.)

#### Flip-Up Tablet Arm

Tablets are available on left-hand or right-hand side. The standard tablet's main worksurface is nominally 15" wide by 11" deep, and the tablet has a total surface area of 172 square inches. The oversized tablet's main worksurface is nominally 17" wide by 14" deep, and the tablet has a total surface area of 227 square inches. The tablet support loop is a continuation of the rear leg. A formed steel hinge is welded to the top of the support structure and secured with screws to the underside of the writing surface. Writing surface has plywood core of  $\frac{5}{8}$ " thick, 11-ply hardwood, surfaced with .030" high-pressure laminate top and plain backer undersurface. Edges are lacquered and sealed.

### Café Stools (non-stacking)

#### Frames

Legs are made from  $\frac{3}{4}$ " O.D. by 13-gauge tubular steel. A single ring of  $\frac{1}{2}$ " diameter steel wire forms the crossmember. The footring is formed of  $\frac{1}{2}$ " diameter steel wire. All joints are welded. 4-leg café stools are available in 24" or 30" seat heights.

#### Frame Finishes

Frames are finished in either baked-on electrostatically-applied 30-degree gloss epoxy powder-coat paint, or bright nickel-chrome plating. Powder-coat paint may be specified in 30-degree gloss or select colors in a textured (matte) finish.

#### Glides (optional)

Three glide options are available; felt, plastic, and steel. A black nylon swivel glide body is press-fit into the end of the leg tube. Glide caps (felt, plastic, or steel) are snap-fit onto the glide body. These are field-replaceable and interchangeable.

### Task Chairs & Stools

#### Under-Seat Structure

Support structure is a die-drawn 12-gauge steel plate. Structure is finished with baked-on electrostatically-applied epoxy powder-coat paint.

#### Armrests (optional)

When equipped with armrests, a support structure of  $\frac{7}{8}$ " O.D. by 13-gauge tubular steel is welded directly to the seat structure plate. The armrests are injection-molded glass-reinforced nylon with an internal structure of  $\frac{3}{8}$ " diameter steel wire and are press-fit into the support tube. Armrest color matches the structure's finish, (except metallic finishes, which match the shell poly color).

#### Base

The base is a 27" injection-molded glass-reinforced nylon 5-blade base. A single paddle under the seat operates the height-adjusting pneumatic cylinder. An optional die-cast aluminum 5-blade base is also available on both chairs and stools. The aluminum base is available in polished aluminum or selected paint colors. Finish is baked-on electrostatically-applied epoxy powder-coat paint and may be specified in 30-degree gloss or textured (matte) finish. Cylinders are available in Black, Warm Grey, or Cottonwood. Nominal seat height range is 16 $\frac{1}{2}$ " to 21 $\frac{1}{2}$ " for chairs, and 22" to 32" for stools.

#### Casters

Task chairs and stools are equipped with dual surface casters, suitable for carpet or hard floors. Casters are 60 mm diameter, double-wheel, made of high-impact thermoplastic with softer elastomer over-molded on the wheel surfaces. Casters are available in Black, Warm Grey, or Cottonwood. (Cottonwood casters have Warm Grey elastomer on the surface that contacts the floor. All others are monochrome.)

#### Foot Ring

Task stools are equipped with an adjustable-height foot ring. The foot ring has a die-cast aluminum hub and spokes (black with a polished top surface), and a 20" diameter chrome-plated tubular steel ring.



### Task Chairs & Stools (cont.)

#### ChangeUp™ Tablet Arm

ChangeUp tablet support is integral to the chair frame and consists of a  $\frac{7}{8}$ " diameter solid steel rod welded to the front and rear support tubes. A three-piece molded plastic armrest is included and attached to the chair frame using a #10 x  $2\frac{1}{2}$ " Phillips pan head tapping screw.

The tablet mechanism consists of a die-cast aluminum housing, upper and lower plastic bearings, and 11-gauge steel clamp and tablet board support plates. The tablet mechanism is clamped onto the chair frame over two plastic bushing halves and a  $\frac{5}{16}$ " diameter by  $1\frac{3}{4}$ " hardened steel pin with a die-cast aluminum cap secured with two  $\frac{1}{4}$ -20 x  $\frac{3}{4}$ " button socket head cap screws. The pin creates a solid 90° up/down pivot stop and the bushings provide a smooth, quiet operation. In the use position, the tablet mechanism rotates outward from the chair back an additional 20° and permits approximately  $3\frac{1}{2}$ " of adjustment for ingress/egress without stowing the tablet.

The tablet worksurface is 21" wide by  $13\frac{1}{2}$ " deep (235 square inches) is secured to the tablet board support plate with twelve #12 x  $\frac{5}{8}$ " Phillips flat head tapping screws. The tablet board is made of 18 mm Baltic Birch plywood with .040" high-pressure laminate top surface and .02" thick phenolic backer surface for an overall board thickness of approximately  $\frac{3}{4}$ ". Edges are lacquered with a clear finish and sealed. The factory installed tablet assembly is not field installable and may not be removed.

#### Compliance

Support frame, mechanism, and worksurface passes KI's internal testing for 250-pound weight capacity.

### High-Density Chairs & Stools

#### High-Density Frames

High-Density wire frames are sled-base style, made of  $\frac{7}{16}$ " diameter solid steel rod with all joints welded. Stool frames also have a footrest made of  $\frac{1}{2}$ " diameter solid steel rod. Stools are available in 24" or 30" seat heights.

#### Frame Finishes

Frames are finished in either bright nickel-chrome plating or baked-on electrostatically-applied gloss epoxy powder-coat paint. Powder-coat paint may be specified in 30-degree gloss or select colors in a textured (matte) finish.

#### Glides

In addition to "no glide", ganging glides and non-ganging glides are available. Four non-ganging glide options are available; non-skid, felt, plastic, and steel. A clear polycarbonate glide body snaps onto the wire frame and is held in location with ribs that nest into slots that are pressed into the wire frame. Glide caps (non-skid, felt, plastic, or steel) have a black plastic structure and snap-fit onto the glide body. These are field-replaceable and interchangeable.

Ganging glides snap onto the wire frame and are held in location with ribs that nest into slots that are pressed into the wire frame. Ganging glides (2-male and 2-female) slide together, allowing multiple chairs to be connected in a line. Ganging glides are either clear polycarbonate, or clear polycarbonate with a steel floor-contact insert.

#### Transport Dolly

Frame construction is welded tubular steel with black powder-coated finish and 5" wheels (two swivel and two fixed). The dolly has a capacity of twenty-five poly chairs, ten upholstered chairs, fifteen poly stools, or eight upholstered stools.



### Nesting Chairs

#### Nesting Shell Assembly

To facilitate nesting, the entire shell flips forward approximately 45° to the storage position. A die-cast aluminum seat plate supports the seat shell and houses the flip-up mechanism. The seat plate is painted to match the shell poly color, using baked-on electrostatically-applied epoxy powder-coat paint in 30-degree gloss. The shell assembly rotates around a pivot tube that is integral to the frame. The shell assembly is held in the storage position by a dual ball-detent mechanism. Simply pushing the shell down returns the shell to the use position. There are no locking levers or other secondary actions required.

#### Frames

Legs are made from  $\frac{7}{8}$ " O.D. by 13-gauge tubular steel. The seat pivot tube is made of  $\frac{3}{4}$ " O.D. by 13-gauge tubular steel and the crossmember is made of 1" O.D. by 13-gauge tubular steel. All joints are welded.

#### Frame Finishes

Frames are finished in either baked-on electrostatically-applied epoxy powder-coat paint, or bright nickel-chrome plating.

#### Armrests (optional)

When equipped with armrests, a support structure is made from  $\frac{7}{8}$ " O.D. by 13-gauge tubular steel, finished to match frame color. The armrests are injection-molded glass-reinforced nylon with an internal structure of  $\frac{3}{8}$ " diameter steel wire and are press-fit into the support tube. Armrest color matches the frame finish, (except chrome and metallic finishes; which match the shell poly color).

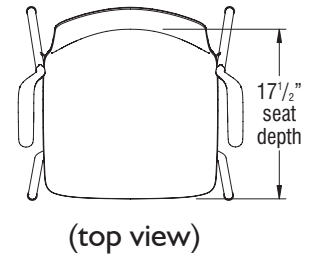
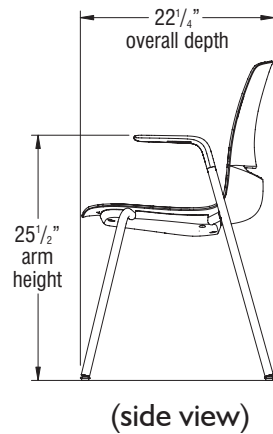
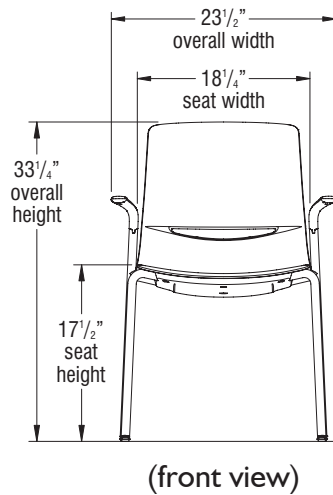
#### Casters

Nesting chairs are equipped with dual surface casters, suitable for carpet or hard floors. Casters are 50 mm diameter, double-wheel, made of high-impact thermoplastic with softer elastomer over-molded on the wheel surfaces. Casters are available in Black, Warm Grey, or Cottonwood. (Cottonwood casters have Warm Grey elastomer on the surface that contacts the floor. All others are monochrome.)

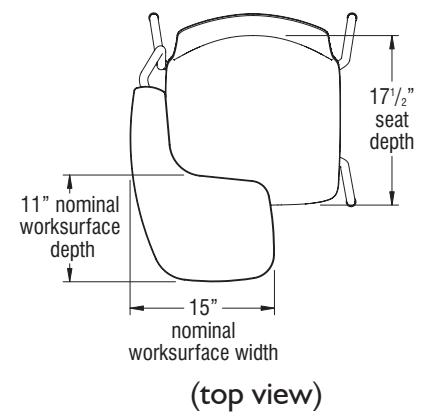
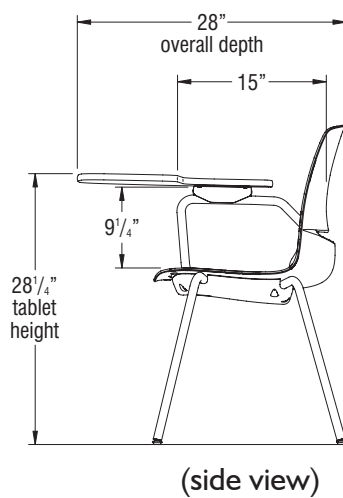
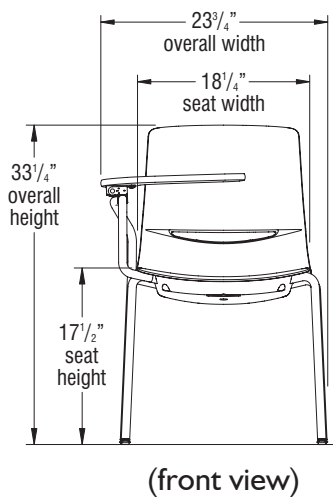


## DIMENSIONS

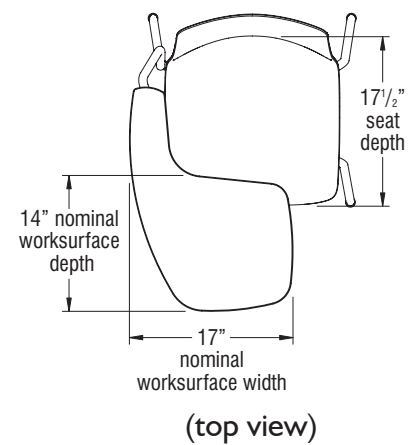
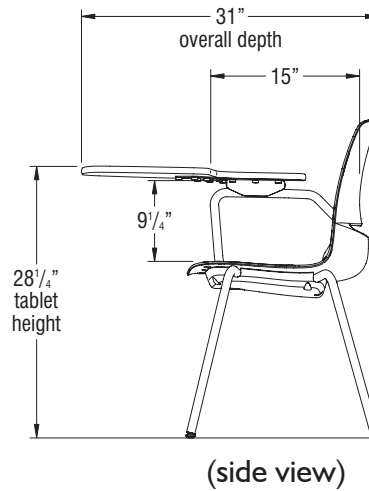
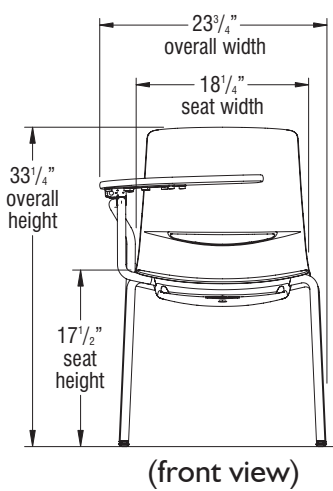
### LimeLite 4-Leg Glide Stack Chair - Armchair - (model LL1111 shown)



### LimeLite 4-Leg Glide Stack Chair - Flip-Up Tablet Armchair - (model LL113R shown)

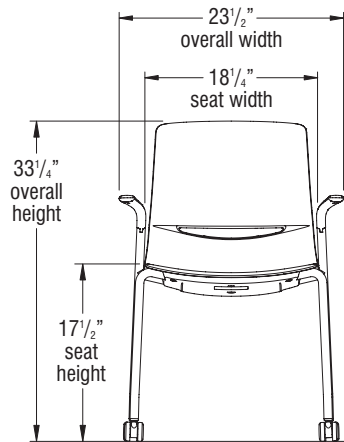


### LimeLite 4-Leg Glide Stack Chair - Oversize Flip-Up Tablet Armchair - (model LL114R shown)

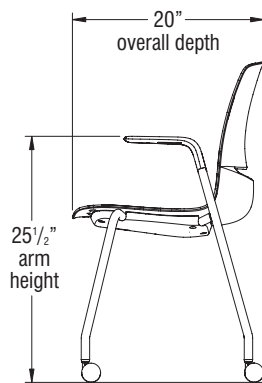


## DIMENSIONS

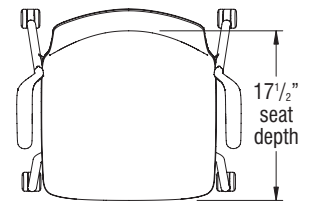
### LimeLite 4-Leg Caster Stack Chair - Armchair - (model LL2111 shown)



(front view)

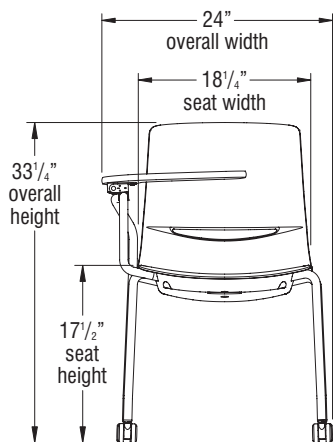


(side view)

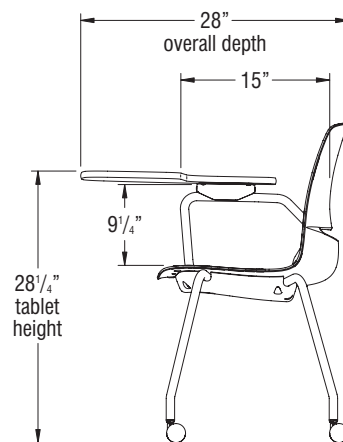


(top view)

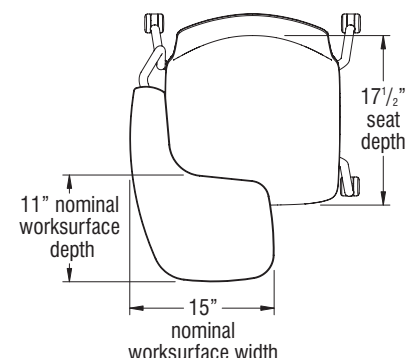
### LimeLite 4-Leg Caster Stack Chair - Flip-Up Tablet Armchair - (model LL213R shown)



(front view)

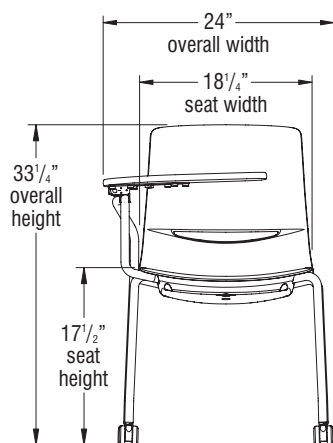


(side view)

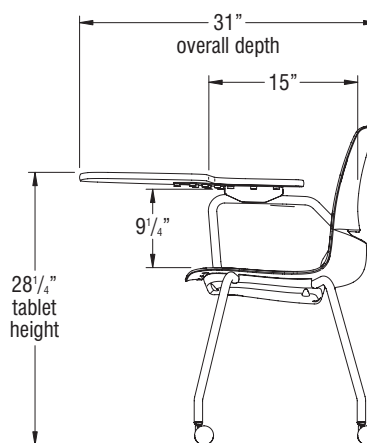


(top view)

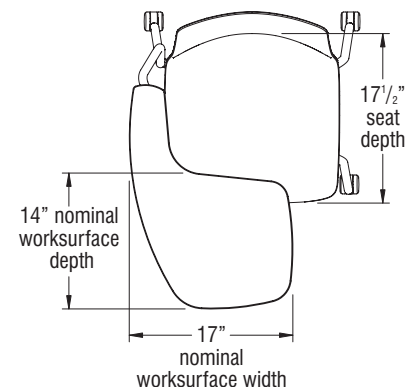
### LimeLite 4-Leg Caster Stack Chair - Oversize Flip-Up Tablet Armchair - (model LL214R shown)



(front view)



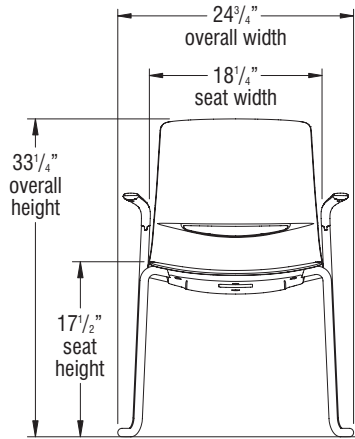
(side view)



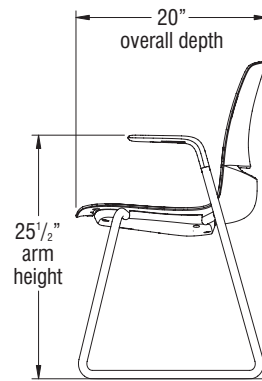
(top view)

## DIMENSIONS

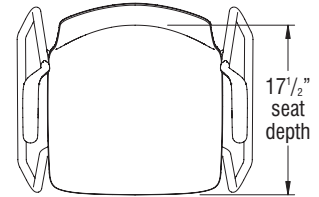
### LimeLite Sled-Base Stack Chair - Armchair - (model LL3111 shown)



(front view)

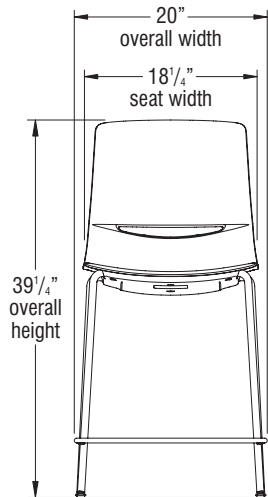


(side view)

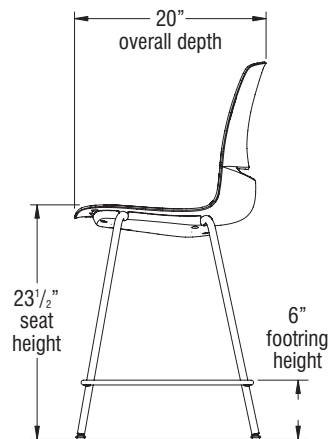


(top view)

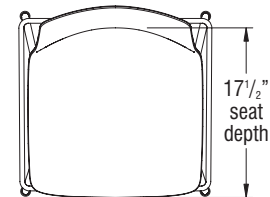
### LimeLite 24" Café Stool (armless/non-stacking) - (model LL4100/24 shown)



(front view)

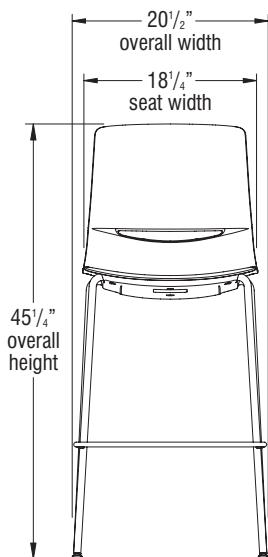


(side view)

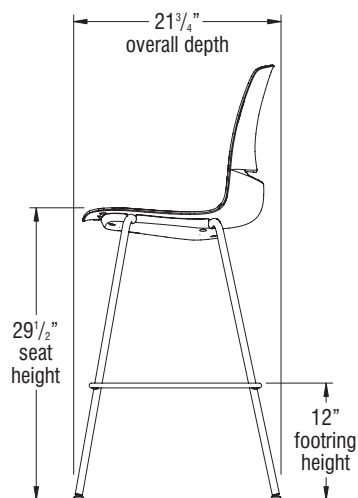


(top view)

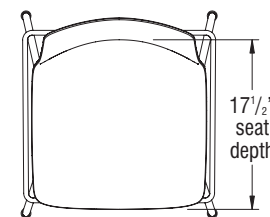
### LimeLite 30" Café Stools (armless/non-stacking) - (model LL4100/30 shown)



(front view)



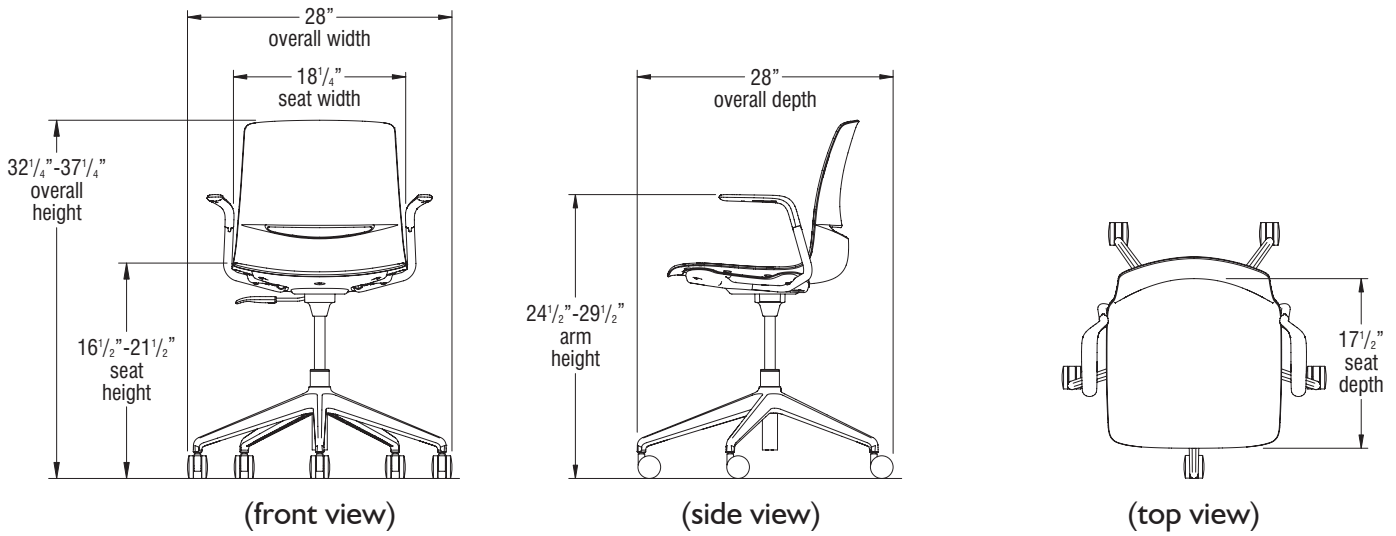
(side view)



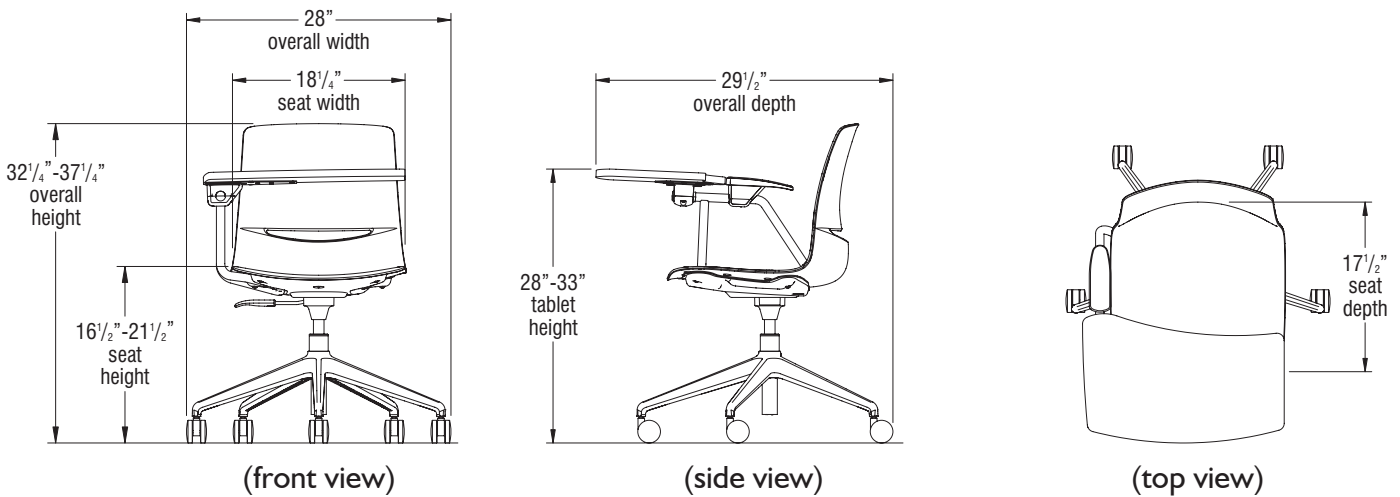
(top view)

## DIMENSIONS

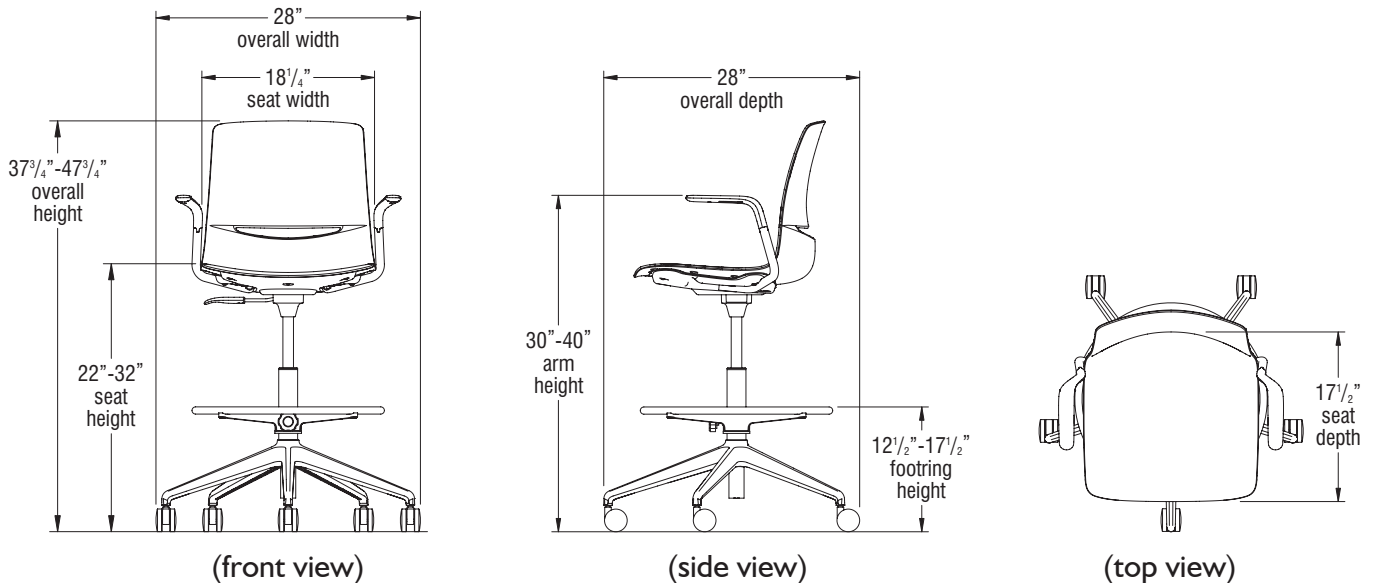
### LimeLite Task Chair - Armchair - (model LL5111 shown)



### LimeLite Task Chair - ChangeUp Tablet Armchair - (model LL519R shown)



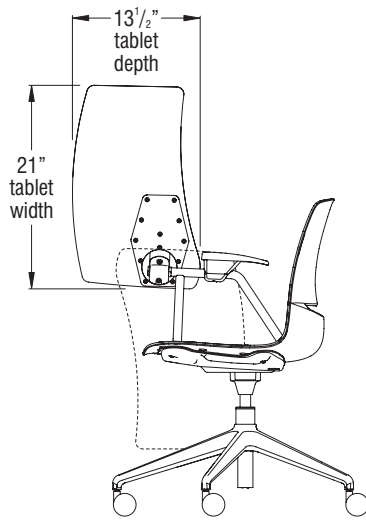
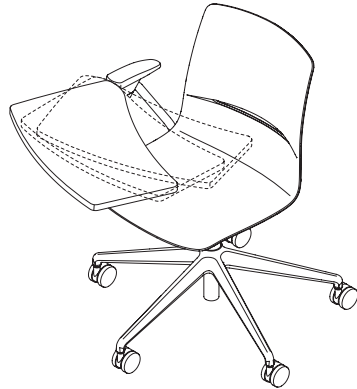
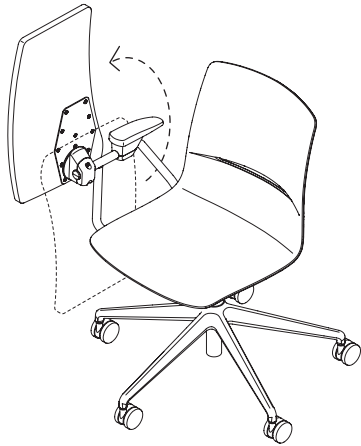
### LimeLite Task Stool - Armstool - (model LL6111 shown)



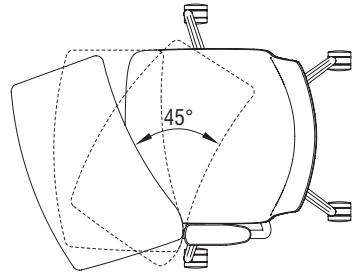


# DIMENSIONS

## ChangeUp Tablet Arm



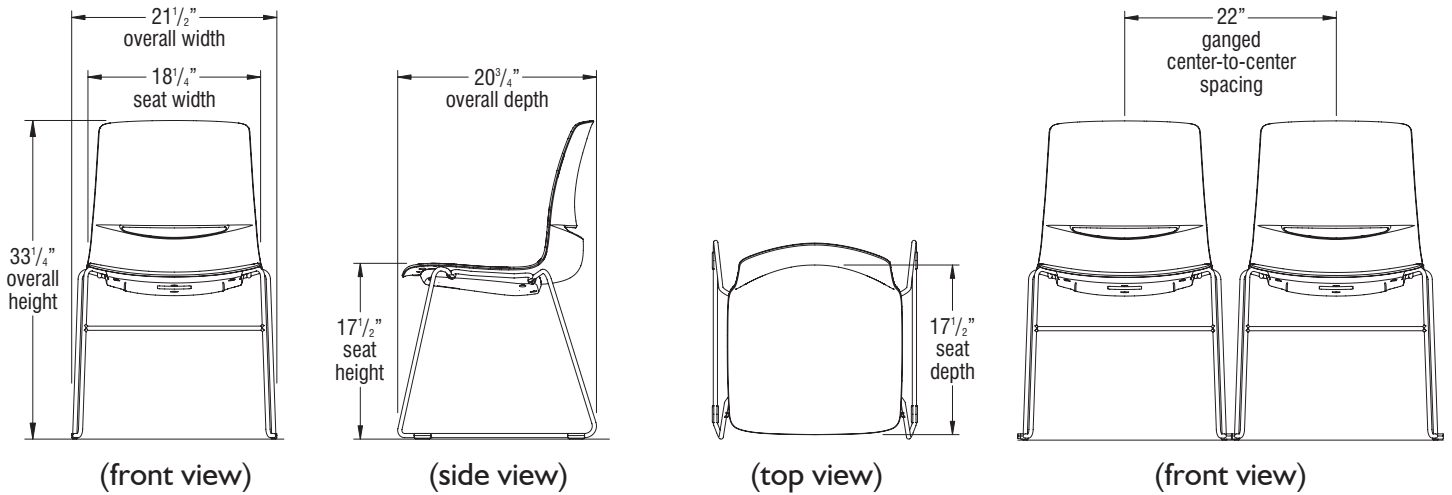
(side view)



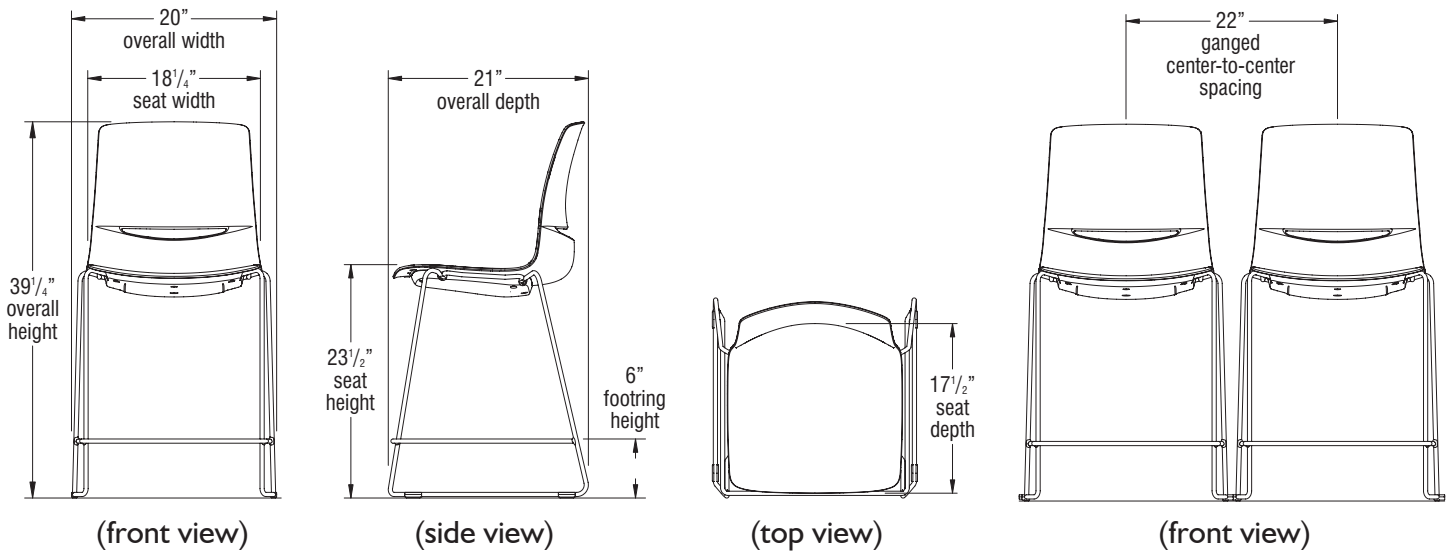
(top view)

## DIMENSIONS

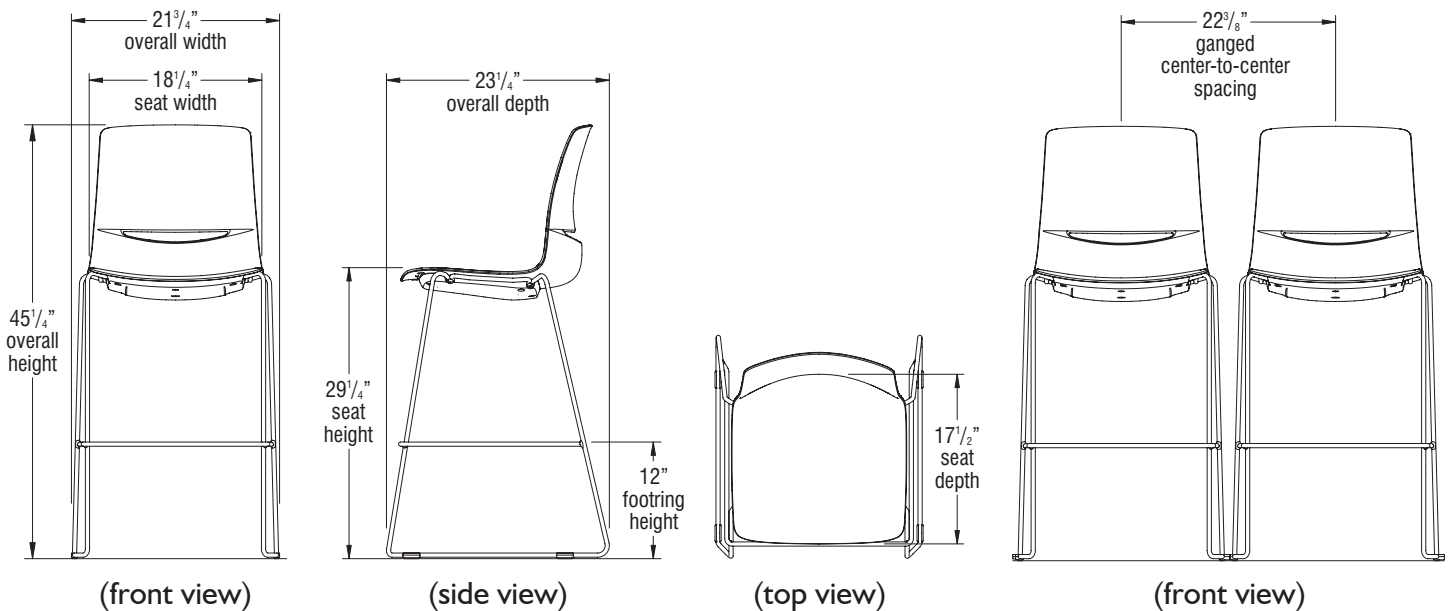
### LimeLite High-Density Chair - Armless - (model LL7100 shown)



### LimeLite 24" High-Density Stool - Armless - (model LLS100/24 shown)

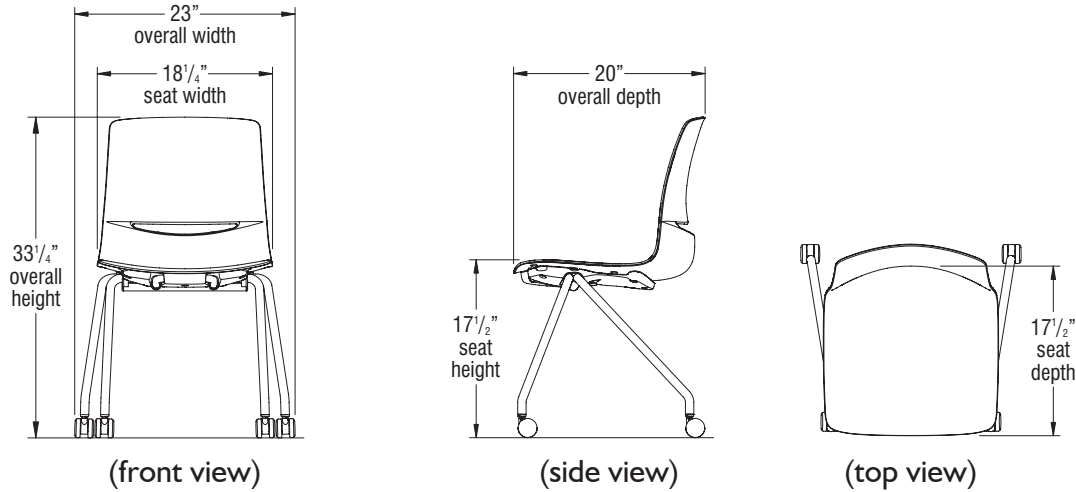


### LimeLite 30" High-Density Stool - Armless - (model LLS100/30 shown)

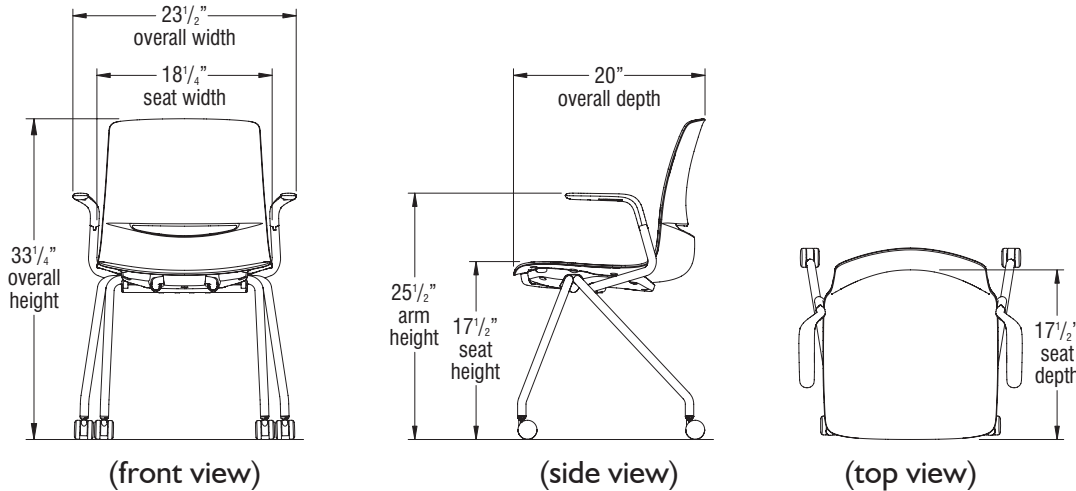


## DIMENSIONS

### LimeLite Nesting Chair - Armless Chair - (model LLAI00 shown)



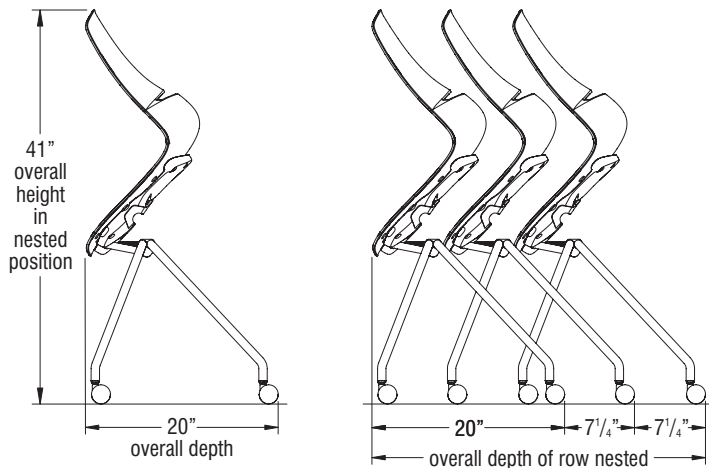
### LimeLite Nesting Chair - Armchair - (model LLAI11 shown)



### LimeLite Nesting Footprint Calculations

**Nesting Footprint Calculation:** Overall Depth of a Row = 20" for the first chair plus 7.25" for each additional chair.

Examples:  
 2 chairs:  $20" + (7.25" \times 1) = 27.25"$   
 4 chairs:  $20" + (7.25" \times 3) = 41.75"$



Nesting Chairs Footprint Examples	
Number of Chairs	Overall Depth of Nested Row
1	20"
2	27.25"
3	34.5"
4	41.75"
5+	Add 7.25" for each additional chair

STATEMENT OF LINE

LimeLite 4-Leg Glide Stack Chairs

CODE COMPLIANCE



Poly Seat  
Armless Chair  
LL1100



Upholstered Seat  
Armless Chair  
LL1200



Poly Seat  
Armchair  
LL1111



Upholstered Seat  
Armchair  
LL1211



Poly Seat  
Flip-Up Tablet Armchair RH  
LL113R



Poly Seat  
Flip-Up Tablet Armchair LH  
LL113L



Upholstered Seat  
Flip-Up Tablet Armchair RH  
LL123R



Upholstered Seat  
Flip-Up Tablet Armchair LH  
LL123L



Poly Seat  
Oversize Flip-Up  
Tablet Armchair RH  
LL114R



Poly Seat  
Oversize Flip-Up  
Tablet Armchair LH  
LL114L



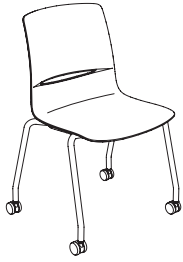
Upholstered Seat  
Oversize Flip-Up  
Tablet Armchair RH  
LL124R



Upholstered Seat  
Oversize Flip-Up  
Tablet Armchair LH  
LL124L

STATEMENT OF LINE

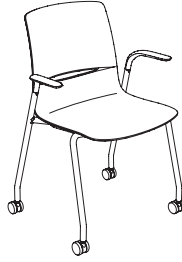
LimeLite 4-Leg Caster Stack Chairs



Poly Seat  
Armless Chair  
LL2100



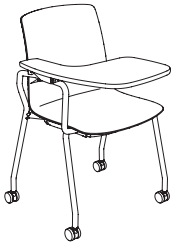
Upholstered Seat  
Armless Chair  
LL2200



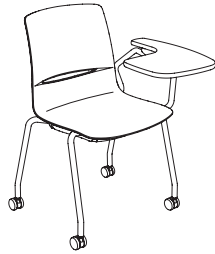
Poly Seat  
Armchair  
LL2111



Upholstered Seat  
Armchair  
LL2211



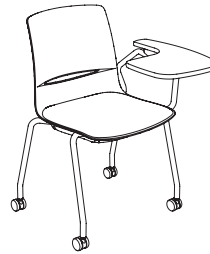
Poly Seat  
Flip-Up Tablet Armchair RH  
LL213R



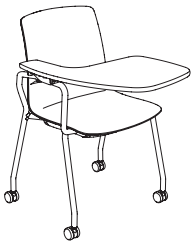
Poly Seat  
Flip-Up Tablet Armchair LH  
LL213L



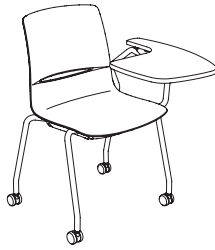
Upholstered Seat  
Flip-Up Tablet Armchair RH  
LL223R



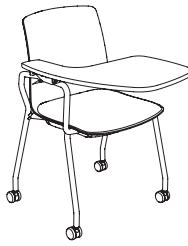
Upholstered Seat  
Flip-Up Tablet Armchair LH  
LL223L



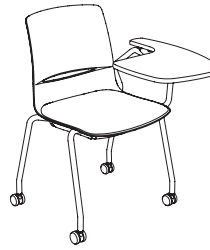
Poly Seat  
Oversize Flip-Up  
Tablet Armchair RH  
LL214R



Poly Seat  
Oversize Flip-Up  
Tablet Armchair LH  
LL214L



Upholstered Seat  
Oversize Flip-Up  
Tablet Armchair RH  
LL224R



Upholstered Seat  
Oversize Flip-Up  
Tablet Armchair LH  
LL224L

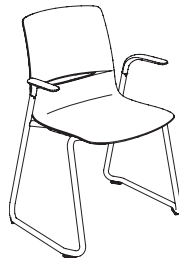
LimeLite Sled-Base Stack Chairs



Poly Seat  
Armless Chair  
LL3100



Upholstered Seat  
Armless Chair  
LL3200



Poly Seat  
Armchair  
LL3111



Upholstered Seat  
Armchair  
LL3211

CODE COMPLIANCE

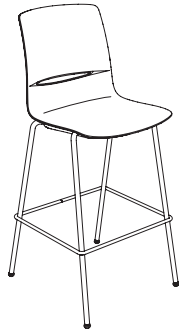


STATEMENT OF LINE

LimeLite Café Stools (armless/non-stacking)



24"  
Poly Seat  
LL4100/24



30"  
Poly Seat  
LL4100/30



24"  
Upholstered Seat  
LL4200/24



30"  
Upholstered Seat  
LL4200/30

LimeLite Task Chair



Poly Seat  
Armless Chair  
LL5100



Upholstered Seat  
Armless Chair  
LL5200



Poly Seat  
Armchair  
LL5111



Upholstered Seat  
Armchair  
LL5211



Poly Seat  
Change-Up Tablet Armchair RH  
LL519R



Poly Seat  
Change-Up Tablet Armchair LH  
LL519L



Upholstered Seat  
Change-Up Tablet Armchair RH  
LL529R



Upholstered Seat  
Change-Up Tablet Armchair LH  
LL529L

LimeLite Task Stool



Poly Seat  
Armless Stool  
LL6100



Upholstered Seat  
Armless Stool  
LL6200



Poly Seat  
Armstool  
LL6111



Upholstered Seat  
Armstool  
LL6211

CODE COMPLIANCE



Furnishing Knowledge®

## STATEMENT OF LINE

### LimeLite High-Density Chair



Poly Seat  
LL7100



Upholstered Seat  
LL7200

### LimeLite High-Density Stools



24"  
Poly Seat  
LLS100/24



30"  
Poly Seat  
LLS100/30

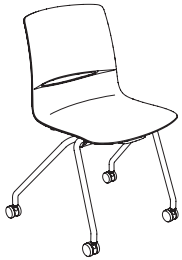


24"  
Upholstered Seat  
LLS200/24



30"  
Upholstered Seat  
LLS200/30

### LimeLite Nesting Chairs



Poly Seat  
Armless Chair  
LLA100



Upholstered Seat  
Armless Chair  
LLA200



Poly Seat  
Armchair  
LLA111



Upholstered Seat  
Armchair  
LLA211

## CODE COMPLIANCE

