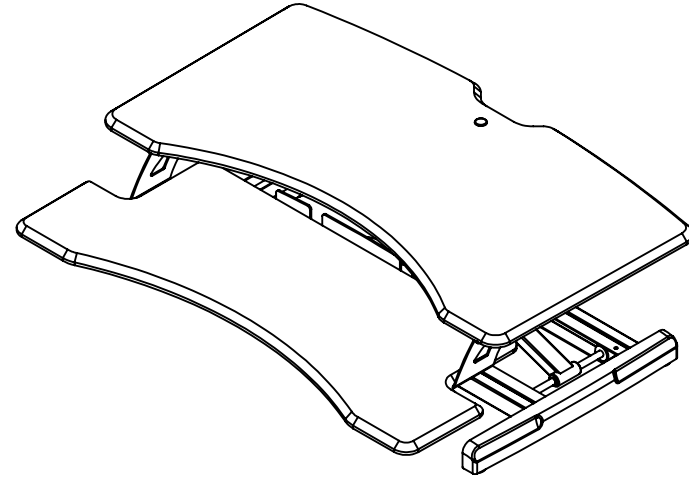
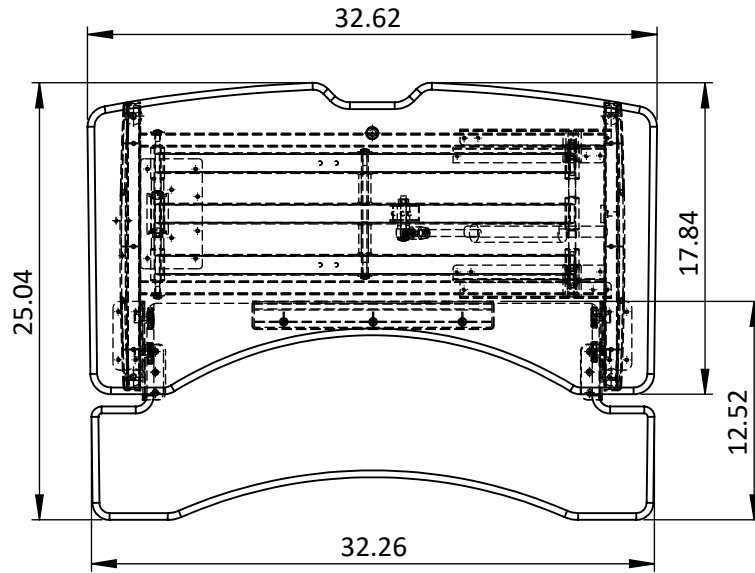


2

1

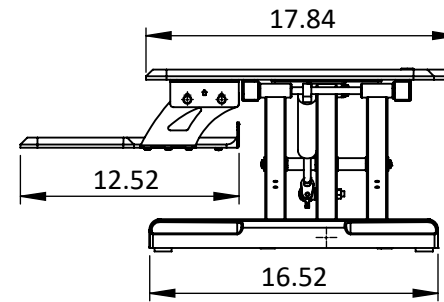
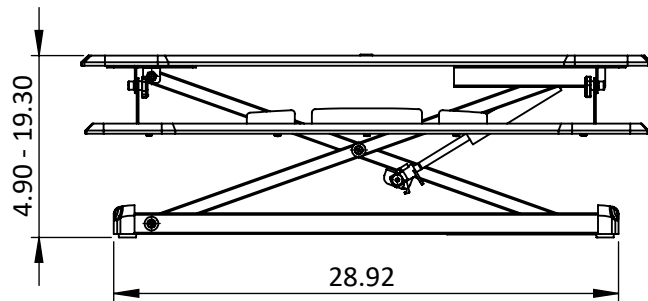
B

B



A

A



DWG TITLE	DSS_High Tide 4	REV	-
DESCRIPTION	Desktop Sit/Stand, High Tide 4	SIZE	A

PROPRIETARY AND CONFIDENTIAL
 THE INFORMATION CONTAINED IN THIS DRAWING IS THE SOLE PROPERTY OF SYMMETRY OFFICE. ANY REPRODUCTION IN PART OR AS A WHOLE WITHOUT THE WRITTEN PERMISSION OF SYMMETRY OFFICE IS PROHIBITED.

2

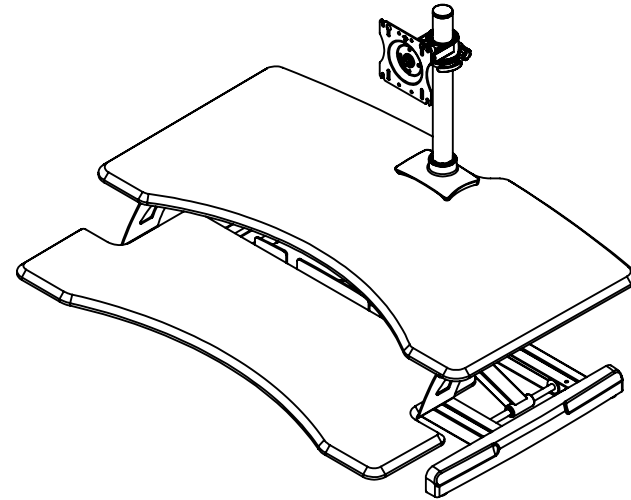
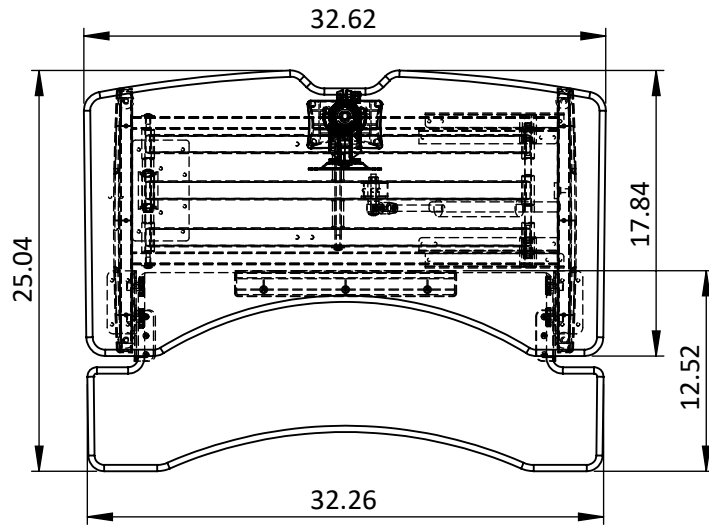
1

2

1

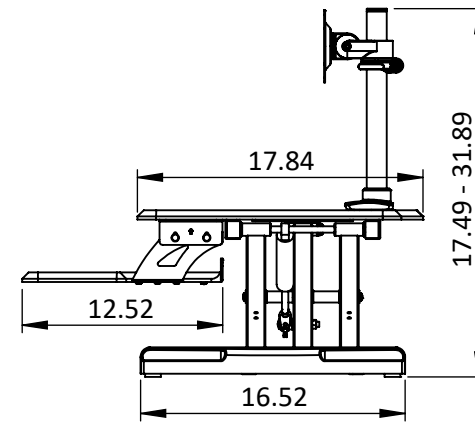
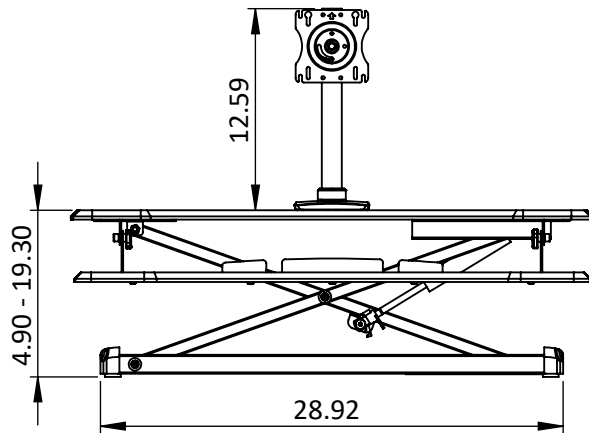
B

B



A

A



DWG TITLE

DSS_High Tide 4, Single Monitor Arm

REV

-

DESCRIPTION

Desktop Sit/Stand, High Tide 4, Single Monitor Arm

SIZE

A

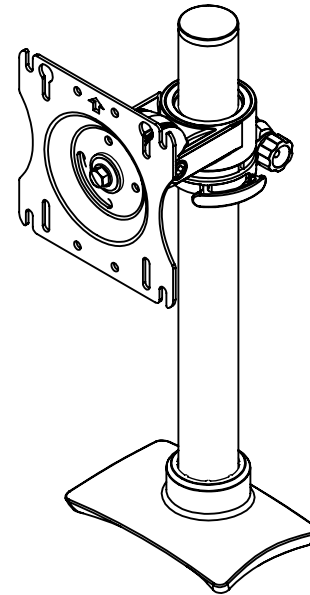
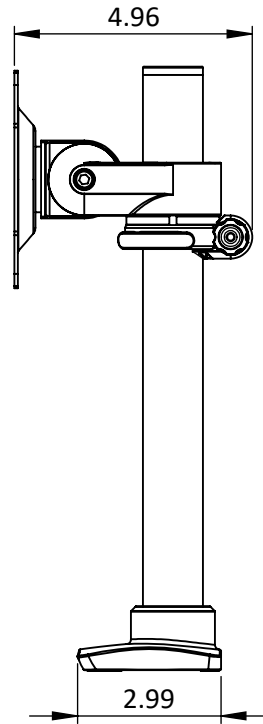
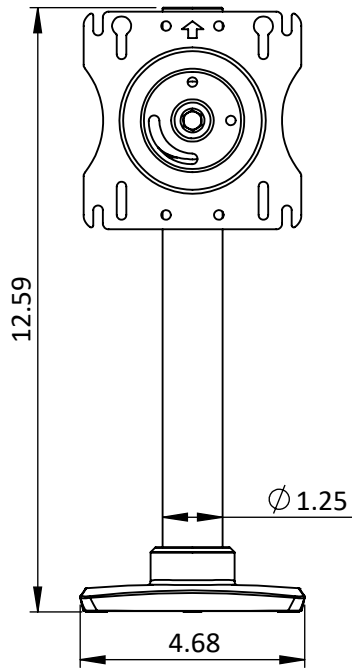
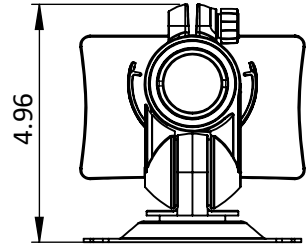
PROPRIETARY AND CONFIDENTIAL
 THE INFORMATION CONTAINED IN THIS
 DRAWING IS THE SOLE PROPERTY OF
 SYMMETRY OFFICE. ANY REPRODUCTION
 IN PART OR AS A WHOLE WITHOUT THE
 WRITTEN PERMISSION OF SYMMETRY
 OFFICE IS PROHIBITED.

2

1

2

1



B

B

A

A



DWG TITLE

HT_Single Monitor Arm

REV

-

DESCRIPTION

High Tide, Single Monitor Arm

SIZE

A

PROPRIETARY AND CONFIDENTIAL
 THE INFORMATION CONTAINED IN THIS
 DRAWING IS THE SOLE PROPERTY OF
 SYMMETRY OFFICE. ANY REPRODUCTION
 IN PART OR AS A WHOLE WITHOUT THE
 WRITTEN PERMISSION OF SYMMETRY
 OFFICE IS PROHIBITED.

2

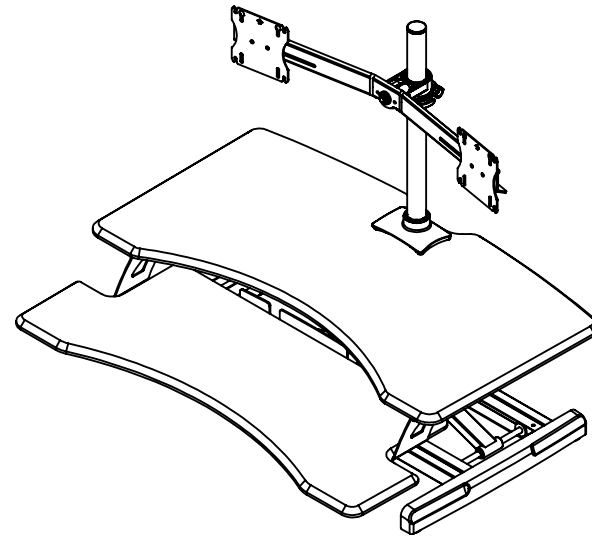
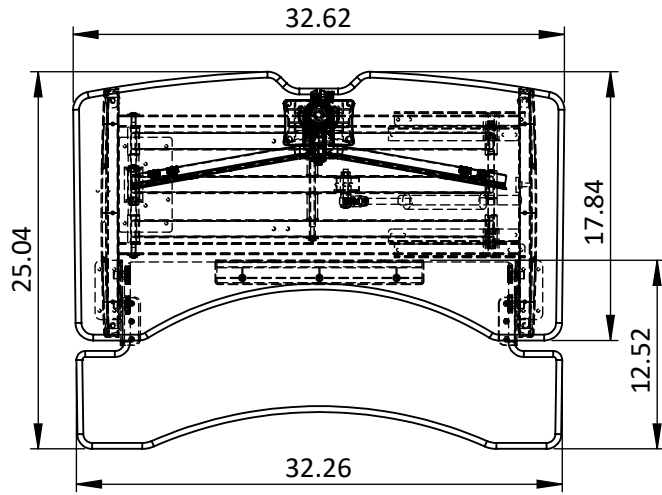
1

2

1

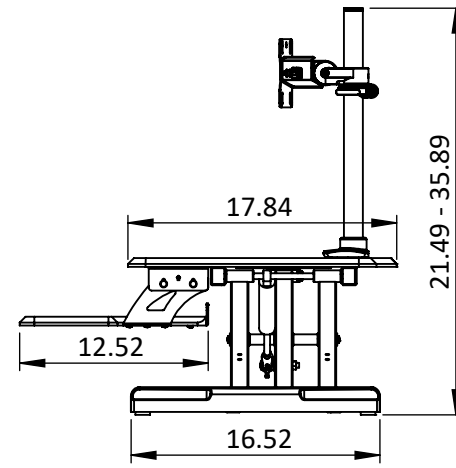
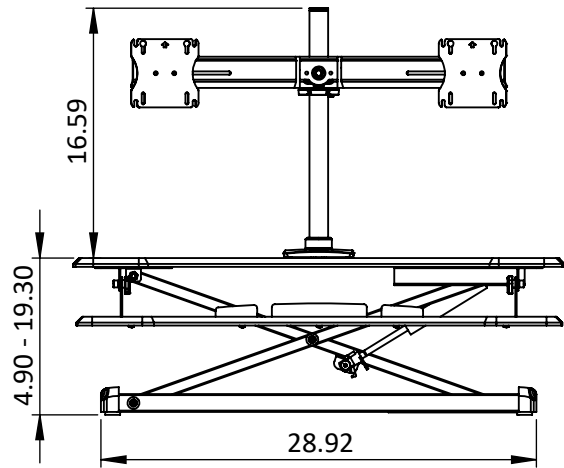
B

B



A

A



DWG TITLE

DSS_High Tide 4, Dual Monitor Arm

DESCRIPTION

Desktop Sit/Stand, High Tide 4, Dual Monitor Arm

REV

-

SIZE

A

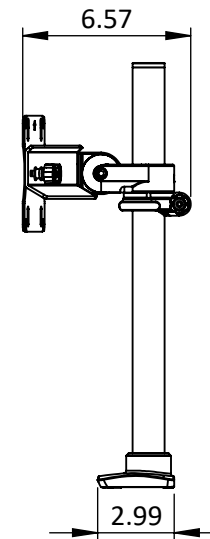
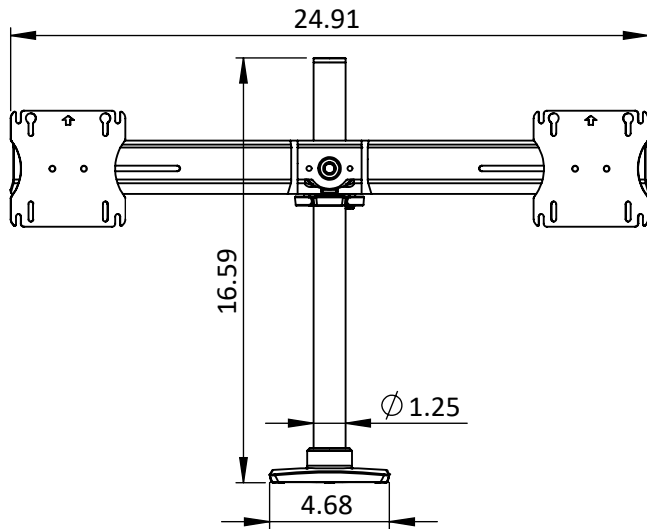
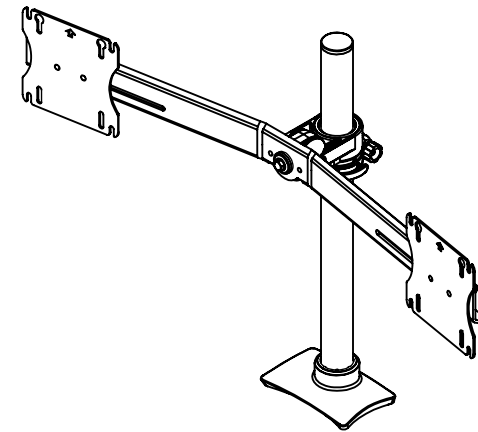
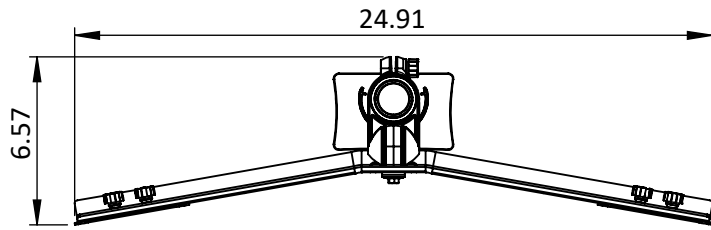
PROPRIETARY AND CONFIDENTIAL
 THE INFORMATION CONTAINED IN THIS
 DRAWING IS THE SOLE PROPERTY OF
 SYMMETRY OFFICE. ANY REPRODUCTION
 IN PART OR AS A WHOLE WITHOUT THE
 WRITTEN PERMISSION OF SYMMETRY
 OFFICE IS PROHIBITED.

2

1

2

1



B

B

A

A



DWG TITLE

HT_Dual Monitor Arm

REV

-

DESCRIPTION

High Tide, Dual Monitor Arm

SIZE

A

PROPRIETARY AND CONFIDENTIAL
 THE INFORMATION CONTAINED IN THIS
 DRAWING IS THE SOLE PROPERTY OF
 SYMMETRY OFFICE. ANY REPRODUCTION
 IN PART OR AS A WHOLE WITHOUT THE
 WRITTEN PERMISSION OF SYMMETRY
 OFFICE IS PROHIBITED.

2

1