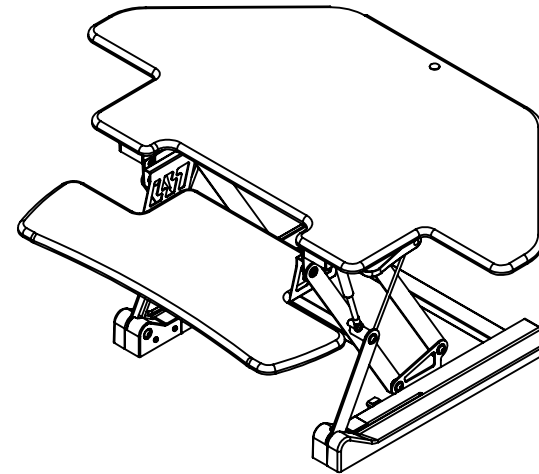
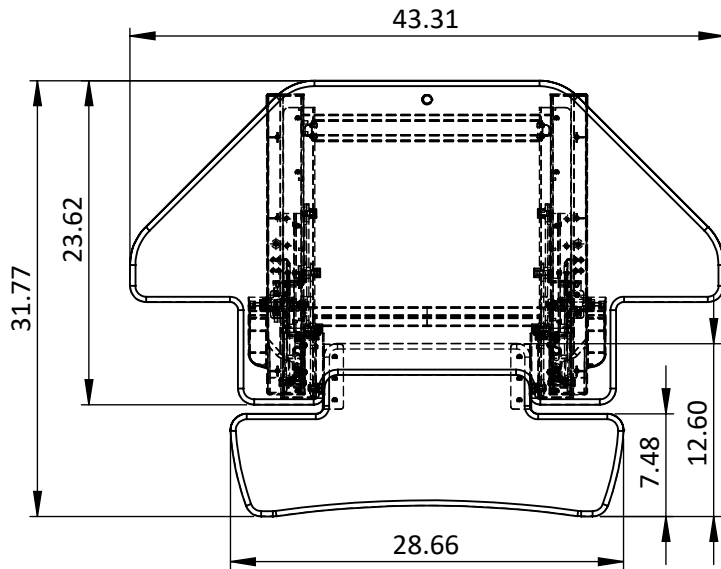


2

1

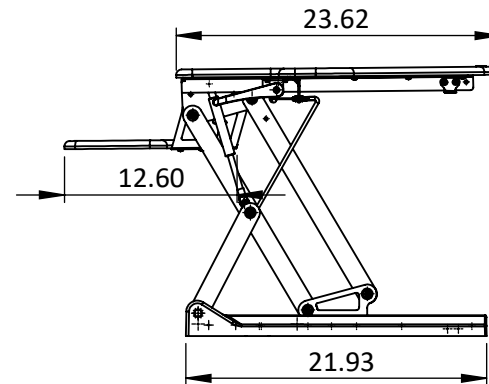
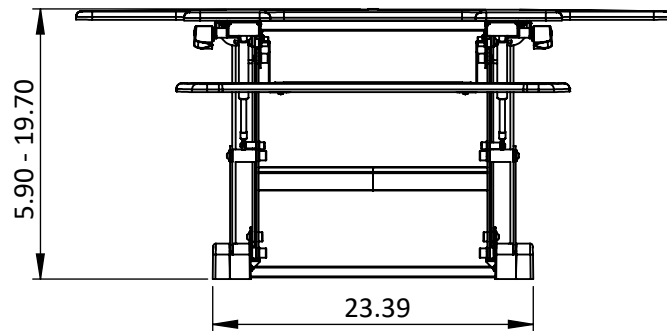
B

B



A

A



DWG TITLE

DSS\_High Tide Corner

REV

-

DESCRIPTION

Desktop Sit/Stand, High Tide Corner

SIZE

A

**PROPRIETARY AND CONFIDENTIAL**  
 THE INFORMATION CONTAINED IN THIS  
 DRAWING IS THE SOLE PROPERTY OF  
 SYMMETRY OFFICE. ANY REPRODUCTION  
 IN PART OR AS A WHOLE WITHOUT THE  
 WRITTEN PERMISSION OF SYMMETRY  
 OFFICE IS PROHIBITED.

2

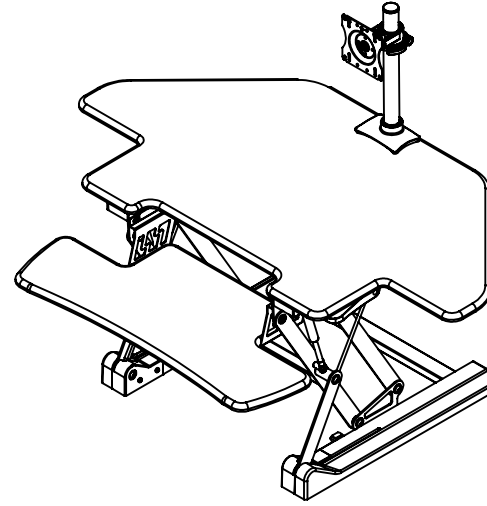
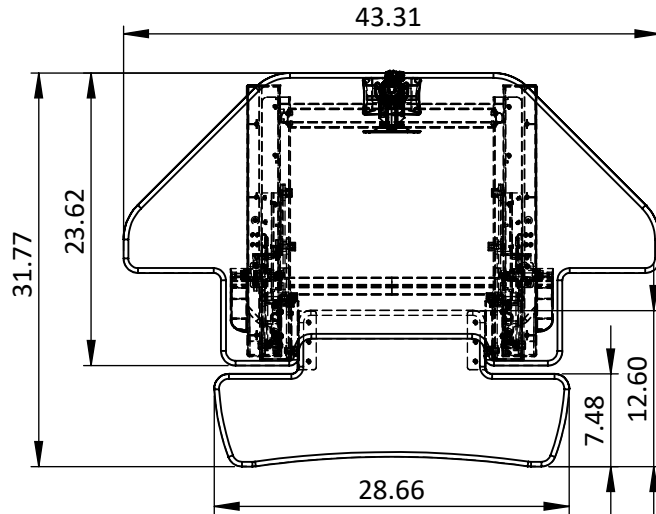
1

2

1

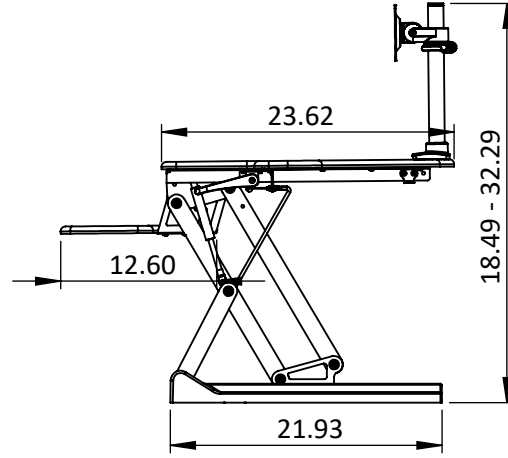
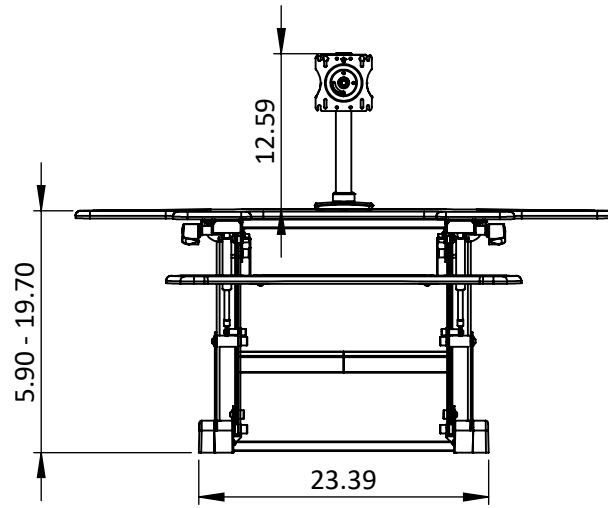
B

B



A

A



DWG TITLE	DSS_High Tide Corner, Single Monitor Arm	REV	-
DESCRIPTION	Desktop Sit/Stand, High Tide Corner, Single Monitor Arm	SIZE	A

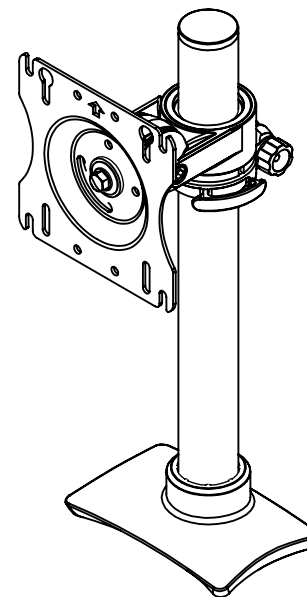
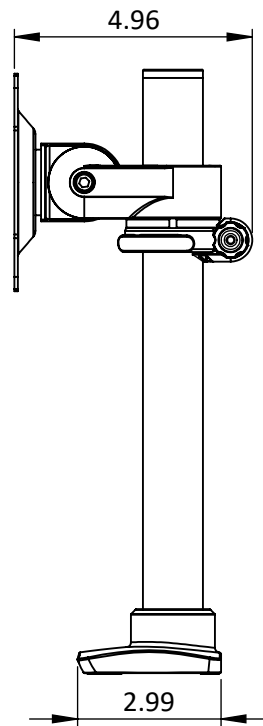
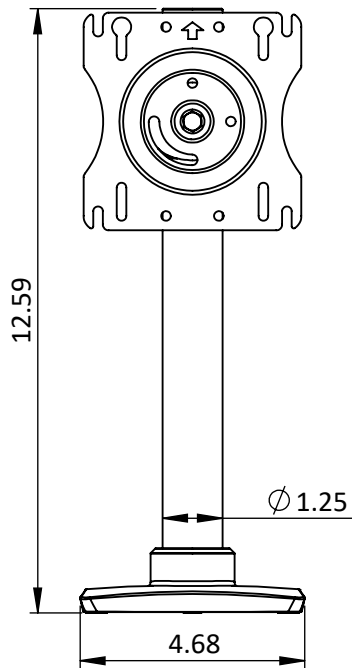
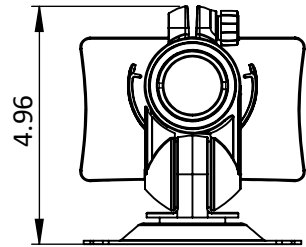
**PROPRIETARY AND CONFIDENTIAL**  
 THE INFORMATION CONTAINED IN THIS DRAWING IS THE SOLE PROPERTY OF SYMMETRY OFFICE. ANY REPRODUCTION IN PART OR AS A WHOLE WITHOUT THE WRITTEN PERMISSION OF SYMMETRY OFFICE IS PROHIBITED.

2

1

2

1



B

B

A

A



DWG TITLE

HT\_Single Monitor Arm

REV

-

DESCRIPTION

High Tide, Single Monitor Arm

SIZE

A

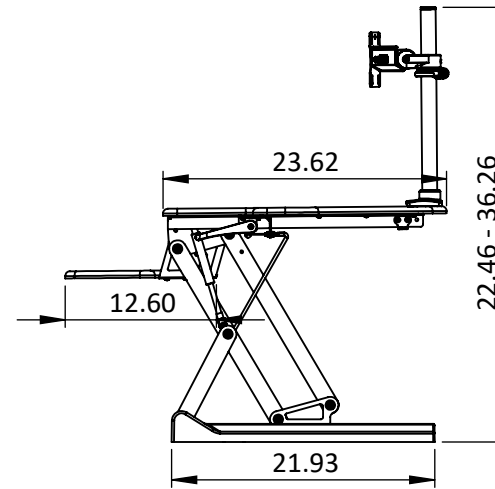
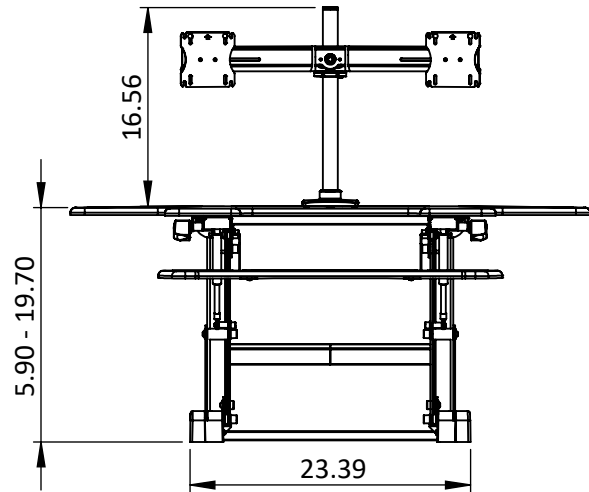
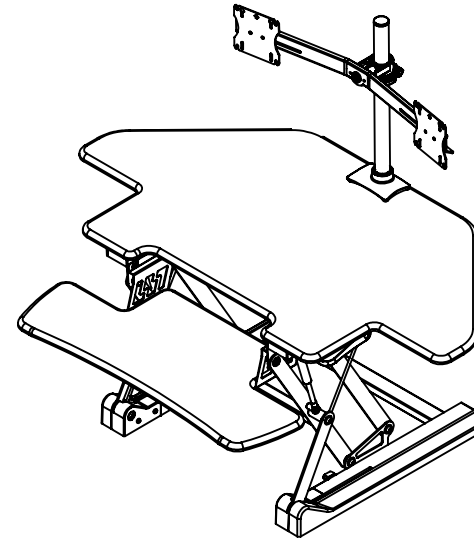
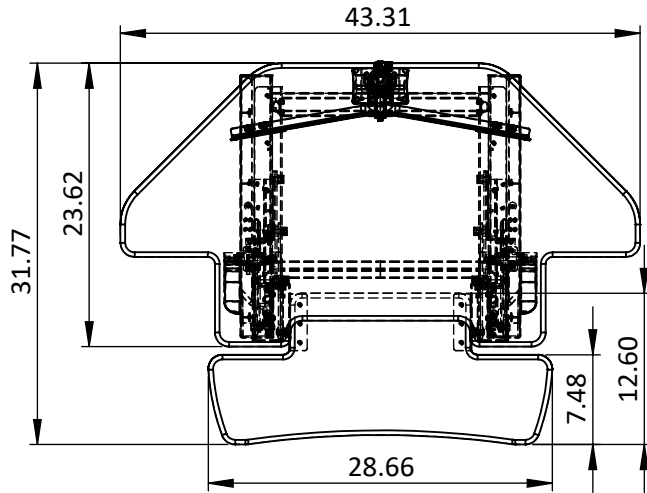
**PROPRIETARY AND CONFIDENTIAL**  
 THE INFORMATION CONTAINED IN THIS  
 DRAWING IS THE SOLE PROPERTY OF  
 SYMMETRY OFFICE. ANY REPRODUCTION  
 IN PART OR AS A WHOLE WITHOUT THE  
 WRITTEN PERMISSION OF SYMMETRY  
 OFFICE IS PROHIBITED.

2

1

2

1



B

B

A

A



DWG TITLE

DSS\_High Tide Corner, Dual Monitor Arm

REV

-

DESCRIPTION

Desktop Sit/Stand, High Tide Corner, Dual Monitor Arm

SIZE

A

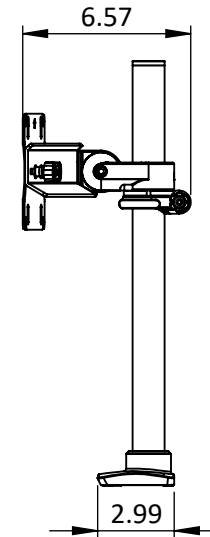
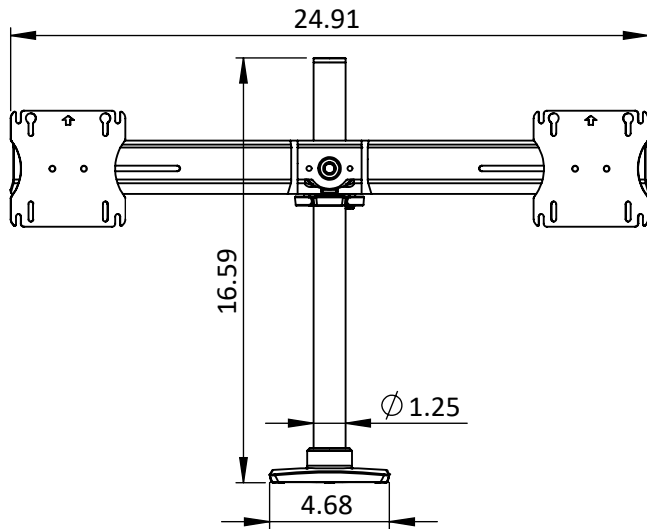
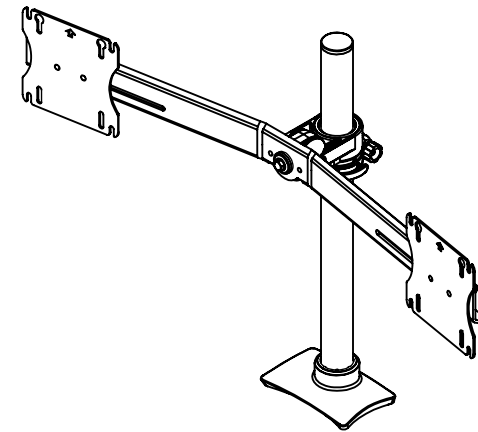
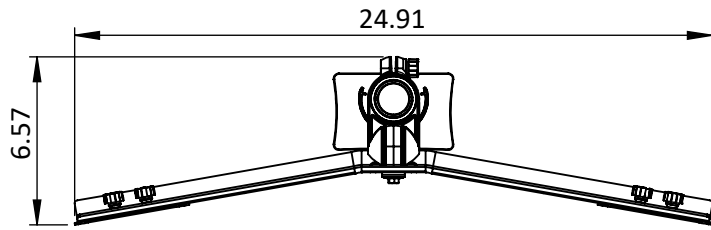
**PROPRIETARY AND CONFIDENTIAL**  
 THE INFORMATION CONTAINED IN THIS  
 DRAWING IS THE SOLE PROPERTY OF  
 SYMMETRY OFFICE. ANY REPRODUCTION  
 IN PART OR AS A WHOLE WITHOUT THE  
 WRITTEN PERMISSION OF SYMMETRY  
 OFFICE IS PROHIBITED.

2

1

2

1



B

B

A

A



DWG TITLE

HT\_Dual Monitor Arm

REV

-

DESCRIPTION

High Tide, Dual Monitor Arm

SIZE

A

**PROPRIETARY AND CONFIDENTIAL**  
 THE INFORMATION CONTAINED IN THIS  
 DRAWING IS THE SOLE PROPERTY OF  
 SYMMETRY OFFICE. ANY REPRODUCTION  
 IN PART OR AS A WHOLE WITHOUT THE  
 WRITTEN PERMISSION OF SYMMETRY  
 OFFICE IS PROHIBITED.

2

1