



reddot winner 2020

esi

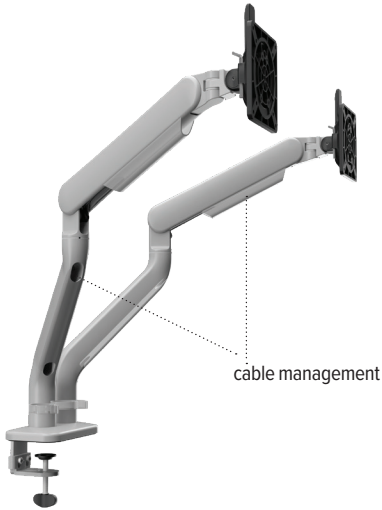


Kata™ 2
Dual monitor arm

Kata2

Dual monitor arm

esi



cable management



tension adjustment



integrated tool storage



grommet mount



clamp mount

Product specs

- Finger touch dynamic height adjustment
- Recommended for worksurfaces 36.0" deep or less
- 14.0" height adjustment range
 - 7.5"–21.5" (low/high)
- 24.6" arm extension
- 5.5" arm retraction
- +90°/-25° monitor tilt
- ±90° VESA rotation
- 4.0 lb.–20.0 lb. weight capacity (*per arm*)
- VESA 75mm/100mm quick release
- 180° lock-out feature
- Specify a grommet mount or a desk clamp mount
- 32.0" max. monitor width
 - Bezel measured left to right.*
 - Max. width is contingent on weight capacity.*
- Tension adjustment indicator for precision installation
- Capable of portrait and landscape orientation
- Partially assembled for quick installation
- Integrated cord management
- Integrated tool holder within the VESA plate keeping hex keys accessible
- Warranty: 15 yr.
- Designed for ESI by Roger Webb Associates of London

Model

- KATA2-DC- SLV
- KATA2-DC- BLK
- KATA2-DC- WHT
- KATA2-GM- SLV
- KATA2-GM- BLK
- KATA2-GM- WHT

Available mounting options

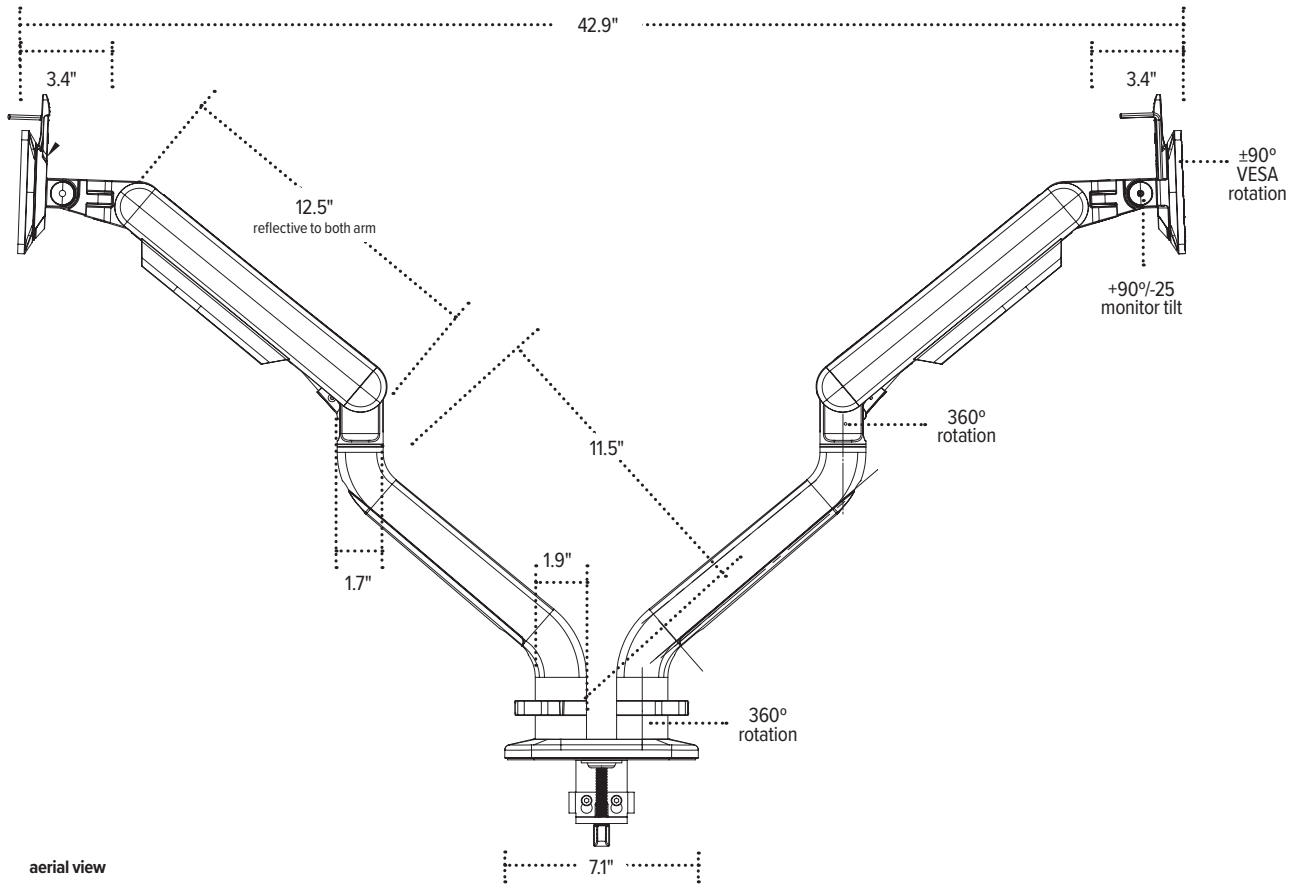
DC - Desk clamp

GM - Grommet mount

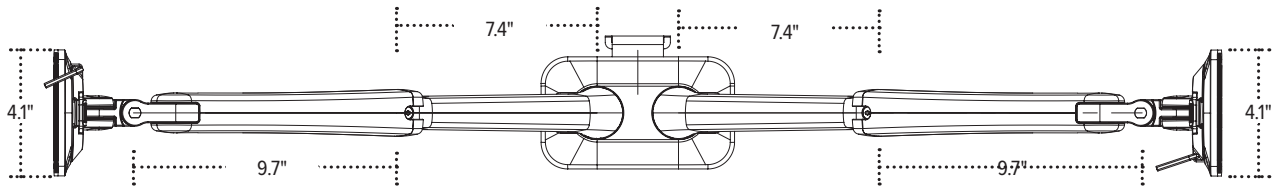
Kata2



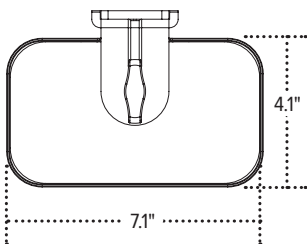
Dual monitor arm



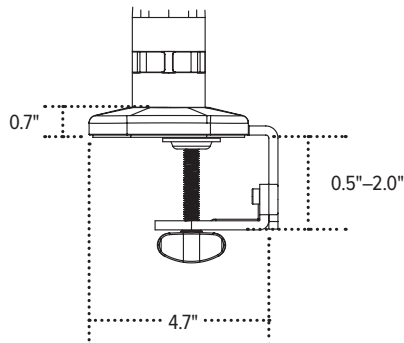
aerial view



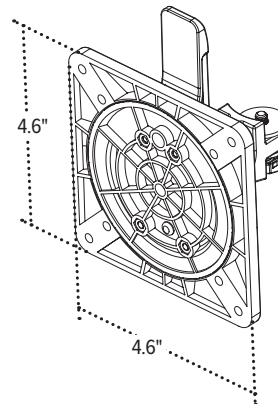
Base
(bottom view)



Base Clamp
(profile view)



VESA Plate



VESA
(profile view)

