

esi



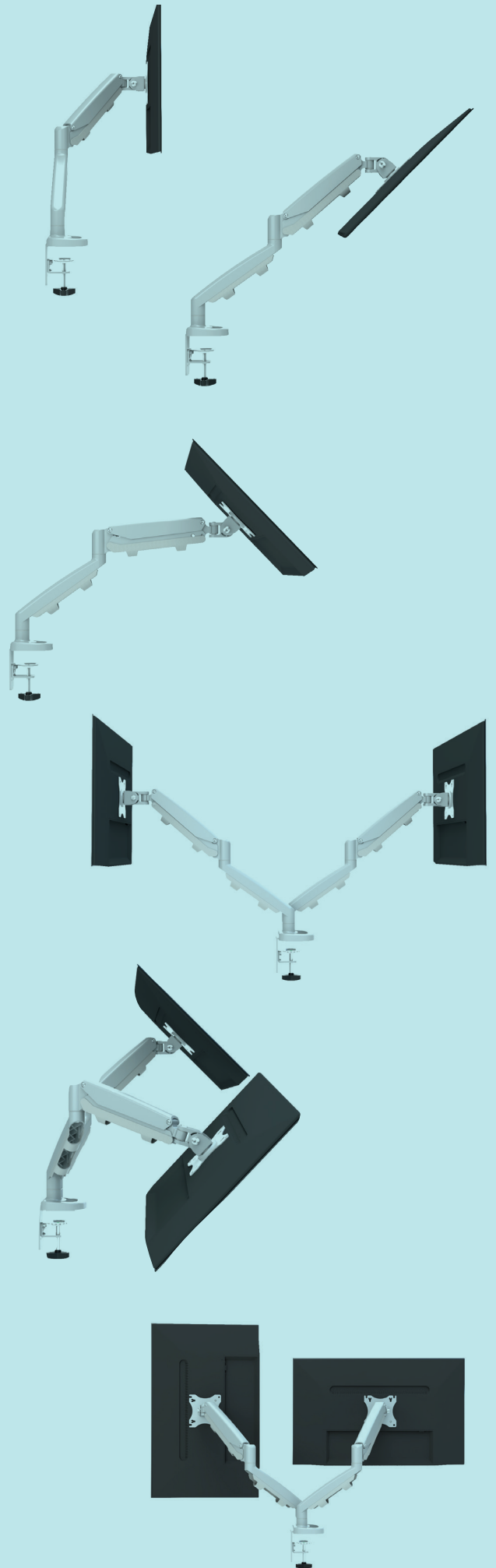
# Eppa™

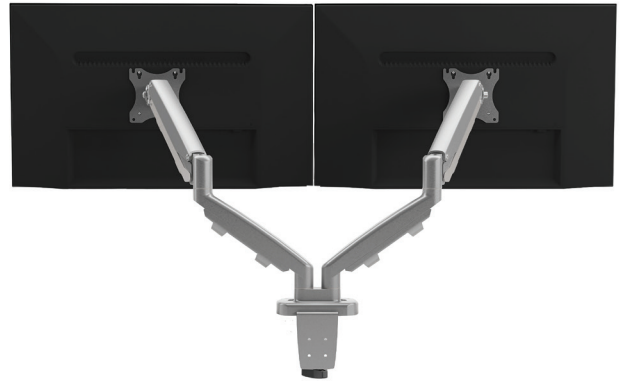
single and dual monitor arm



# Tilt, Rotate, Pivot, and Swivel

*Beneath the Eppa's minimal design is a reliable and smooth gas spring adjustment control that supports an 11-inch dynamic height adjustment range. This allows the user to adjust the height and position of a monitor weighing up to 17.6 pounds with minimal effort. Retracting to a 4 inch depth and extending 21 inches, Eppa offers a comfortable viewing distance no matter the size of the workstation.*





Finger touch dynamic height adjustment

10.5" height adjustment range

- 5.5"–16.0" (low/high)

21.2" arm extension

4.0" arm retraction

2.2 lbs.–17.6 lbs. weight capacity

Dual arm has a 39.0" max. monitor width (*bezel measured left to right*)

VESA quick mount

Desk clamp and grommet mount included

Fixed and motion arms included

Capable to swivel between portrait and landscape orientation

Exceeds BIFMA x5.5 requirements

Gas spring - finger touch adjustment

Available conversion kit adjusts a single arm Eppa to a dual arm