

# PRODUCT SPECIFICATIONS

## Dōni™ Task Chairs & Task Stools

January 2020

### PRODUCT SPECIFICATIONS

#### Seat Shell and Backrest Articulation Mechanism

The backrest and seat are injection-molded polypropylene. The seat and backrest are joined by a pair of hidden articulation mechanisms, each consisting of a 14-gauge steel housing, twin 7-gauge levers and steel coil springs. While maintaining a one-piece shell appearance, this mechanism allows the backrest to recline up to 17-degrees of motion.

#### Optional Upholstered Seat and Back

Urethane foam is attached to an injection-molded polypropylene liner board, then upholstered using a draw-string process. Seat foam is molded nominal 1" thickness, and back foam is nominal 1/2" thickness. The flush-head fasteners that attach the back pad are color-matched to the polypropylene.

#### Under-Seat Structure

Support structure is a die-drawn 12-gauge steel plate. Structure is finished with baked-on electrostatically-applied 30-degree gloss epoxy powder-coat paint coordinated with base selection.

#### Arms

Optional armrests are available. When equipped with arms, a support structure is 7/8" O.D. by 13-gauge tubular steel welded directly to the seat structure plate. The steel support tube is inserted into a socket molded into the armrest, and secured with a screw. Armrests are molded from glass-reinforced polypropylene. Structure and armrests are Warm Grey when Warm Grey base is selected, or Black when Black or aluminum is selected.

#### Base

The base is a 26" injection-molded glass-reinforced nylon 5-blade base. A single paddle under the seat operates the height-adjusting pneumatic cylinder. Standard chair base and cylinder available in Black or Warm Grey. Standard stool base available in Black or Warm Grey. Standard stool cylinder available in Black only. An optional polished die-cast aluminum 5-blade base is also available on both chairs and stools.

#### Casters

Casters are 60 mm O.D., double-wheel, high-impact thermoplastic and are available with hard (warm grey or black) or soft (black only) wheel surface.

#### Foot Ring

Task stools are equipped with an adjustable-height foot ring with black, die-cast aluminum hub and spokes, with an 18" diameter chrome-plated tubular steel ring.



## PRODUCT SPECIFICATIONS

### ChangeUp™ Tablet Arm

ChangeUp tablet support is integral to the chair frame and consists of a  $\frac{7}{8}$ " diameter solid steel rod welded to the front and rear support tubes. A three-piece molded plastic armrest is included and attached to the chair frame using a #10 x  $2\frac{1}{2}$ " Phillips pan head tapping screw.

The tablet mechanism consists a die-cast aluminum housing, upper and lower plastic bearings, and 11-gauge steel clamp and tablet board support plates. The tablet mechanism is clamped onto the chair frame over two plastic bushing halves and a  $\frac{5}{16}$ " diameter by  $1\frac{3}{4}$ " hardened steel pin with a die-cast aluminum cap secured with two  $\frac{1}{4}$ -20 x  $\frac{3}{4}$ " button socket head cap screws. The pin creates a solid 90° up/down pivot stop and the bushings provide a smooth, quiet operation. In the use position, the tablet mechanism rotates outward from the chair back an additional 20° and permits approximately  $3\frac{1}{2}$ " of adjustment for ingress/egress without stowing the tablet.

The tablet worksurface is 21" wide by  $13\frac{1}{2}$ " deep (235 square inches) is secured to the tablet board support plate with twelve #12 x  $\frac{5}{8}$ " Phillips flat head tapping screws. The tablet board is made of 18 mm Baltic Birch plywood with .040" high-pressure laminate top surface and .02" thick phenolic backer surface for an overall board thickness of approximately  $\frac{3}{4}$ ". Edges are lacquered with a clear finish and sealed. The factory installed tablet assembly is not field installable and may not be removed.

#### Compliance

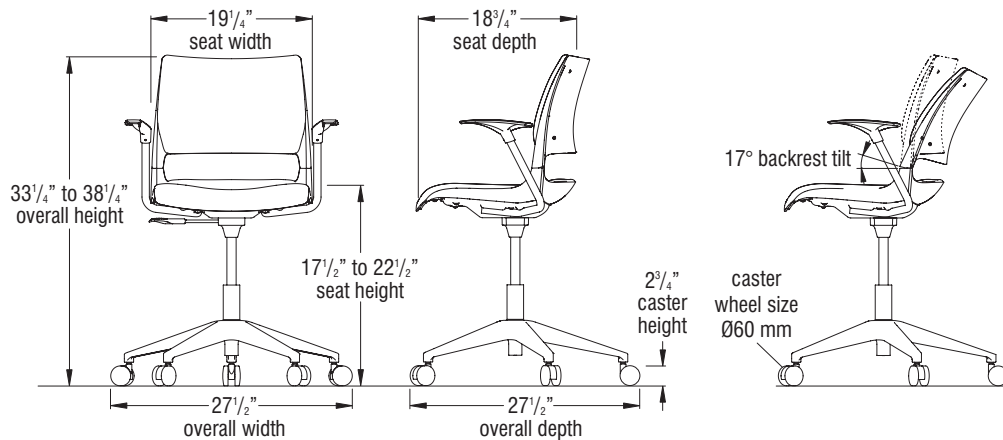
Support frame, mechanism and worksurface passes KI's internal testing for 250-pound weight capacity.

## CODE COMPLIANCE

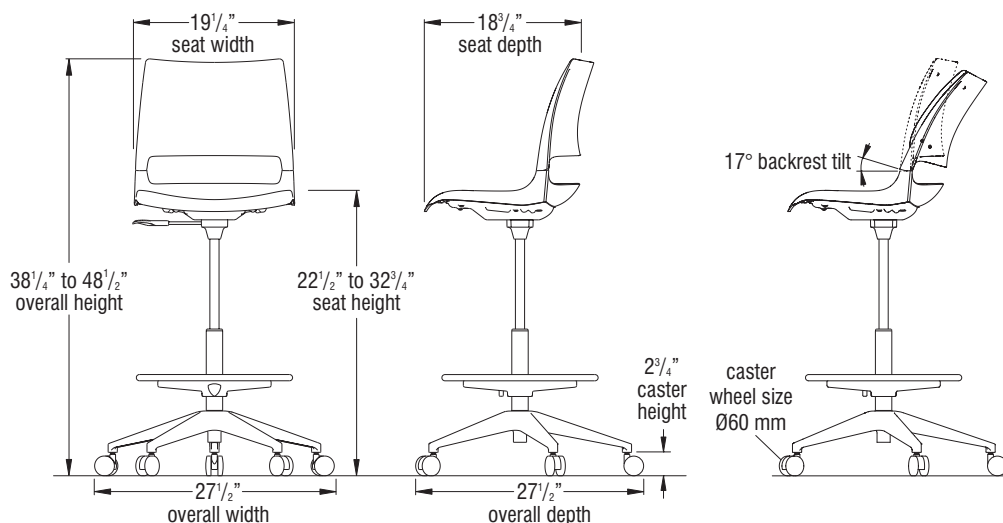


## DIMENSIONS

### Doni Task Armchair

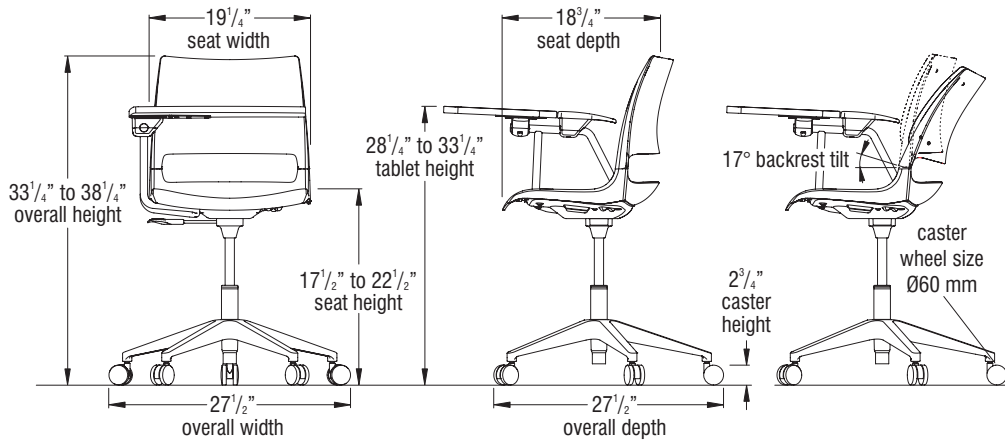


### Doni Armless Stool



## DIMENSIONS

### Doni ChangeUp Tablet Arm Task Chair



### ChangeUp Tablet Arm



## STATEMENT OF LINE

All models are available in polypropylene seat/backrest, upholstered seat/ polypropylene backrest, or upholstered seat/backrest.



DN5100



DN5111



DN6100



DN519R