



DONI[®] SEATING

PRICE LIST

June 1, 2016

Updated November 4, 2020

800.424.2432



Ordering C.O.M., C.O.L., and C.O.V.		
BONDUEL, GREEN BAY, ONTARIO, and TUPELO		2
<hr/>		
Custom Color Matching Requirements		4
<hr/>		
Doni®		
Guest Chair General Information		5
Guest Chair Color Options		7
Guest Chairs		8
Stack Chair General Information		12
Stack Chair Color Options		17
Stack Chairs		18
Cafe Stools		31
Stack Chairs		33
Task Chair General Information		34
Task Chair Color Options		37
Task Chairs		38
Task Stools		40
Task Chairs		?
Tandem Seating General Information		43
Tandem Seating Color Options		44
Tandem Seating		45



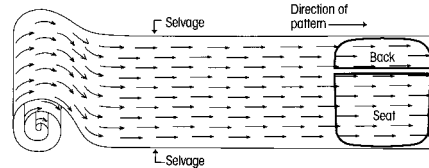
How to Specify C.O.M. Upholstery

Textile designs often have intricate patterns. Not all individuals will interpret fabric direction in the same manner.

As a standard procedure, KI cuts fabrics off the roll in a horizontal fashion as shown in Diagram A at the right. By cutting in this fashion, most waste is eliminated. Our requirements for yardage in this book are based on this type of cutting. When directional or patterned fabrics are used, they often require more yardage than solid colors.

By providing KI with a completely filled-out copy of the form on this page, we will be able to expedite your order. We find it particularly helpful with directional or patterned upholstery material. It is critical that copies of this form accompany test quantities as well as production quantities of C.O.M.

C.O.M. must be supplied in continuous yardage.



C.O.M., C.O.L. and C.O.V. Testing

KI will require for testing actual yardage to upholster one chair. The testing requirements depend on which chair you have selected on your order.

Test samples will be applied to the order and will be held for 6 months if needed. After 6 months, the sample can no longer be applied to your order. For all products to be tested, send test samples for approval to:

KI
Attn: C.O.M. Specialist
1687 Westminster Drive, Gate 3
Green Bay WI 54302

To expedite the procedure, attach a copy of the "C.O.M. Information Form" on this page.

All C.O.M., C.O.L. and C.O.V. must be labeled with the purchase order number.

C.O.M., C.O.L. and C.O.V. Production

Customer's fabrics and leathers must be approved prior to acceptance for production. Upon test approval, a 1' square sample swatch of upholstery material must accompany the order. KI assumes no responsibility for wear, defects or performance of customer's own fabrics, vinyl or leather. C.O.M., C.O.L. and C.O.V. orders are available on a deferred delivery basis.

Orders for production of C.O.M., C.O.L. and C.O.V. upholstered products are not scheduled for processing until upholstery material is received. Upon receipt, KI will provide an acknowledgement and an estimated shipping date.

KI recommends that leather be ordered in yardage. Leather must be usable. The outer edges cannot be calculated as square feet or yardage.

The C.O.M., C.O.L. and C.O.V. yardage requirements accompanying products in the pricing section are for 10 chairs/seats or less, 54" wide nondirectional material. On larger orders, less material is required.

For exact production yardage requirements, call 1-800-424-2432, ext. 2707.

C.O.M., C.O.L. and C.O.V. Order Processing
For products shipped from Green Bay, WI facility, ship upholstery material to:

KI
Attn: C.O.M. Storage
1687 Westminster Drive, Gate 3
Green Bay, WI 54302

For products shipped from Tupelo, MS facility ship material to:

KI Tupelo
Attn: C.O.M. Storage
2112 South Green Street
Tupelo, MS 38801

For products shipped from Bonduel, WI facility, ship material to:

KI
Attn: C.O.M. Storage
204 West South Street
Bonduel, WI 54107

For products shipped from Ontario, CA facility, ship material to:

Avail/Impress/Kismet/Medical & Laboratory Stools/Pilot
Attn: C.O.M. Storage
1110 S. Mildred Ave.
Ontario, CA 91761

Intricate Patterns

In the event of specific requirements for positioning of intricate patterns or pattern repeats on seats and backrests, provide a sketch noting requirements, as in Diagram B, along with materials for testing, and with the order.

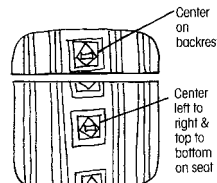


Diagram B

Treated Materials

If C.O.M. requires processing such as Scotchgard® or acrylic backing, it often shrinks. To prevent delays in delivery or back ordering due to shrinkage, please have your processor remeasure after processing and assure adequate yardage shipment.

Split Orders

If a portion of the shipment which does not require C.O.M., C.O.L. or C.O.V. applications is to be processed and shipped early, KI will enter the order immediately at your request. These split shipments are subject to minimum order changes.

Contact the C.O.M. Specialist at 1-800-424-2432, ext. 2707, with questions or to verify a split order.

Excess Upholstery Material

KI will dispose of excess upholstery material at the time of shipment unless expressly requested to return it with the product shipment.

Cancelled or Changed Orders

KI assumes no responsibility for extra C.O.M., C.O.L. or C.O.V. material due to a change of upholstery or cancellation of an order. It is the customer's responsibility to arrange for return of this material.

C.O.M., C.O.L. and C.O.V. Information Form

A copy of this form should accompany test requests and production orders. Please fill it out completely, and, if your order has been acknowledged, provide the acknowledgement number.

Purchasing Agent (Dealer or buying organization) _____
 Attention _____
 Address _____
 City _____ State _____ Zip _____
 Project Name _____
 Type of seating and number of units of each type _____

Please see information below and check the appropriate box.

- Submitted for testing. Test approved. Submitted for production.

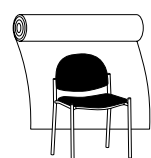
Purchase Order Number _____ KI Acknowledgement Number _____

In all instances, send this form to the C.O.M. Specialist.

- A Selvage Top and Bottom



- B Selvage Side and Side





KI Custom Poly Color Matching Program

Whatever you imagine, whatever you require, KI's custom color-matching program lets you pick your color. Match an organization's brand colors. Match fabrics. Match surface materials. The choice is yours.

Custom Color Matching Requirements

- **Pantone Number or Color Samples.** To ensure we match your color exactly, we require either a Pantone color number or two color samples (chip, swatch, or paint sample). We do request that the size be substantial enough to allow for us to retain for our internal matching process (minimum 2.5" x 3.5").
- **Extended Lead Time.** Using the unique combinations of specialty bases and pigments, our Custom Color Matching and Manufacturing processes do add time to your production schedule.
 - The color match process (see steps below) on average will take 2-3 weeks to produce a match sample for your review and gain your written approval to proceed. *Starting this during the quoting process is encouraged to reduce overall lead time.*
 - Orders with custom colors will typically reflect standard lead time plus 15 additional days to source the appropriate raw materials and run the custom order.
- **Minimum Quantity.** No additional set-up fee is incurred if the quantity (per color, product line, and order) is 100 or more. A \$500 set-up fee (per color, product line, and order) is applied if the quantity is 99 or less. You'll see a "Custom Color Set-Up Charge" note appear on your Custom Options Quote until the order is placed and quantity is determined.

Note: The Doni Seating Collection, with its two-tone color capabilities, would require a single \$500 set-up fee if one or both colors are custom. In addition, please note that reversing the inner/outer colors of Doni's two-tone standard color combinations would also be considered custom.

Custom Color Matching Process

When your purchase order is submitted, it is simply placed on hold until the color match is finalized. As soon as we receive your Pantone number or custom color samples, the process for color matching begins.

Note: *If the project requires a compressed manufacturing/shipping schedule, KI encourages you to process the color match during the quotation stage. This will accelerate the purchase order release into production.*

Step 1. Provide the Pantone color number to KI Customer Service by calling Customer Service at 1-800-424-2432 or emailing us at SalesOps@ki.com. Custom color samples can be mailed to KI at:

KI Customer Service (Provide specific contact name if known)
 Attn: **Custom Color Match Required (Please reference the PO# or Project Name)**
 1330 Bellevue Street
 Green Bay, WI 54302

**In the event the color requested is a discontinued KI color or non-standard on the product requested, no color match is necessary (minimum quantities and extended lead time still apply). KI will use the custom options process to facilitate the quote/order.*

Step 2. KI begins the matching process which takes 5-10 days depending upon how quickly the exact color is matched, taking into account lighting, visual and spectrographic readings as compared to the originals.

Step 3. We then ship the color sample chip and a letter asking for you to sign the letter and fax it back to us within 24 to 48 hours.

Step 4. Upon receipt of your approval signature, we remove the hold status of your order and begin production, using standard production lead times plus 15 days.



Armless Fourstar Swivel Base Chair



Armless Tapered Steel Leg Chair



Armless Tapered Wood Leg Chair



Armless Wire Tower Base Chair

Features				
Poly, upholstered seat, or upholstered seat/back	•	•	•	•
General Dimensions				
Seat width	19-1/4"	19-1/4"	19-1/4"	19-1/4"
Seat depth	18-3/4"	18-3/4"	18-3/4"	18-3/4"
Seat height (upholstered add 1")	18"	18"	18"	18"
Overall Dimensions				
Width	27-1/2"	19-3/8"	19-3/8"	19-3/8"
Depth	21"	21"	21"	21"
Height	33-3/4"	33-3/4"	33-3/4"	33-3/4"

Seat Shell and Backrest Articulation Mechanism

The backrest and seat are injection-molded polypropylene. The seat and backrest are joined by a pair of hidden articulation mechanisms, each consisting of a 14-gauge steel housing, twin 7-gauge levers and steel coil springs. While maintaining a one-piece shell appearance, this mechanism allows the backrest to recline up to 17 degrees of motion.

Optional Upholstered Seat and Back

Urethane foam is attached to an injection-molded polypropylene liner board, then upholstered using a draw-string process. Seat foam is molded nominal 1" thickness, and back foam is nominal 1/2" thickness. The flush-head fasteners that attach the back pad are color-matched to the polypropylene.

Wire Tower Base

A seat ring is made of 1/2" diameter steel wire and attached to the seat with 14-gauge steel brackets. Legs are 7/16" diameter steel wire, fully gusseted with 5/16" diameter wire. All joints are welded and frames are finished in bright nickel-chrome plating.

Wood Leg Base

A seat ring is made of 1/2" diameter steel wire and attached to the seat with 14-gauge steel brackets. Inner leg wires made of 1/2" diameter steel wire complete the subframe. All joints are welded and the subframes are finished with baked-on electrostatically-applied 30-degree gloss epoxy powder-coat paint. Legs are turned from beech, stained, and clear-coat finished. Legs are drilled to accept subframe inner leg wires, and fastened by means of a two-part epoxy adhesive.

Tapered Steel Leg Base

A seat ring is made of 1/2" diameter steel wire and attached to the seat with 14-gauge steel brackets. Inner leg wires are made of 1/2" diameter steel wire and are plug welded to tapered tubular legs. All joints are welded and the frames are finished in either baked-on electrostatically-applied 30-degree gloss epoxy powder-coat paint or bright nickel-chrome plating.

Fourstar Swivel Base

The under-seat support structure is a die-drawn 12-gauge steel plate. A 3/4" diameter steel pin is welded to the seat plate, allowing the seat to swivel on a nylon bushing housed in the base. Seat structure is finished with baked-on electrostatically-applied 30-degree gloss epoxy powder-coat paint. The fixed-height base is constructed of a polished die-cast aluminum fourstar base and a chrome-plated steel tube column.

Glides

The tapered steel legs and wood legs are equipped with swivel glides in a bright steel finish. The floor contact surface on the tapered steel leg is steel, and on the wood legs is natural nylon. The wire tower base and fourstar swivel base are all equipped with black nylon glides.

INFORMATION

C.O.M. Testing and Production Requirements

Not all materials are suitable for upholstering this product. A 1 yd. x 54" sample must be submitted and approved prior to acceptance of an order. If the fabric is directional in pattern or weave, the direction must be indicated on the submitted sample, and additional yardage may be requested.

Test samples must be sent to:

KI
Attn: C.O.M. Specialist
1687 Westminster Drive - Gate 3
Green Bay, WI 54302

Design

Designed by Giancarlo Piretti and manufactured in the USA by Krueger International, Inc. under license from Pro-Cord S.p.A

KI Custom Poly Color Matching Program

Whatever you imagine, whatever you require. KI's custom color-matching program lets you pick your color.

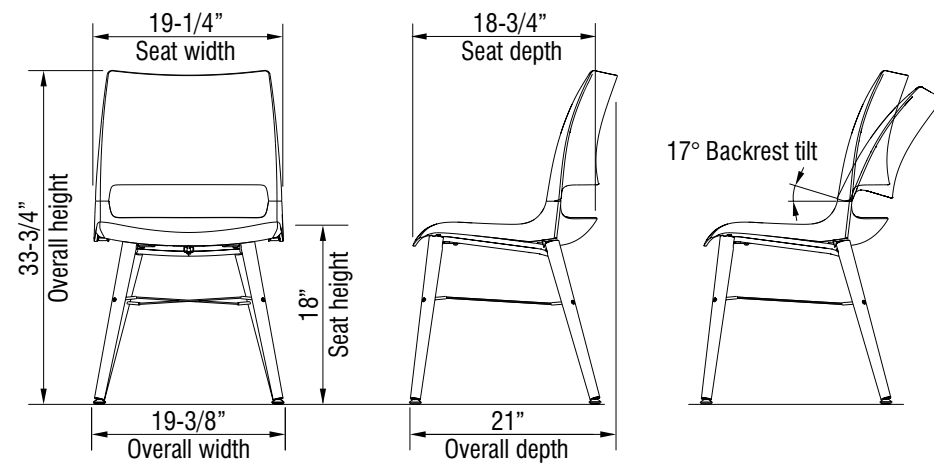
No upcharge with a minimum quantity of 100 or more (\$500 set-up charge if quantity is 99 or less). See "Custom Color Matching Requirements" page in the front of this book for ordering details.

INFORMATION

Warranty

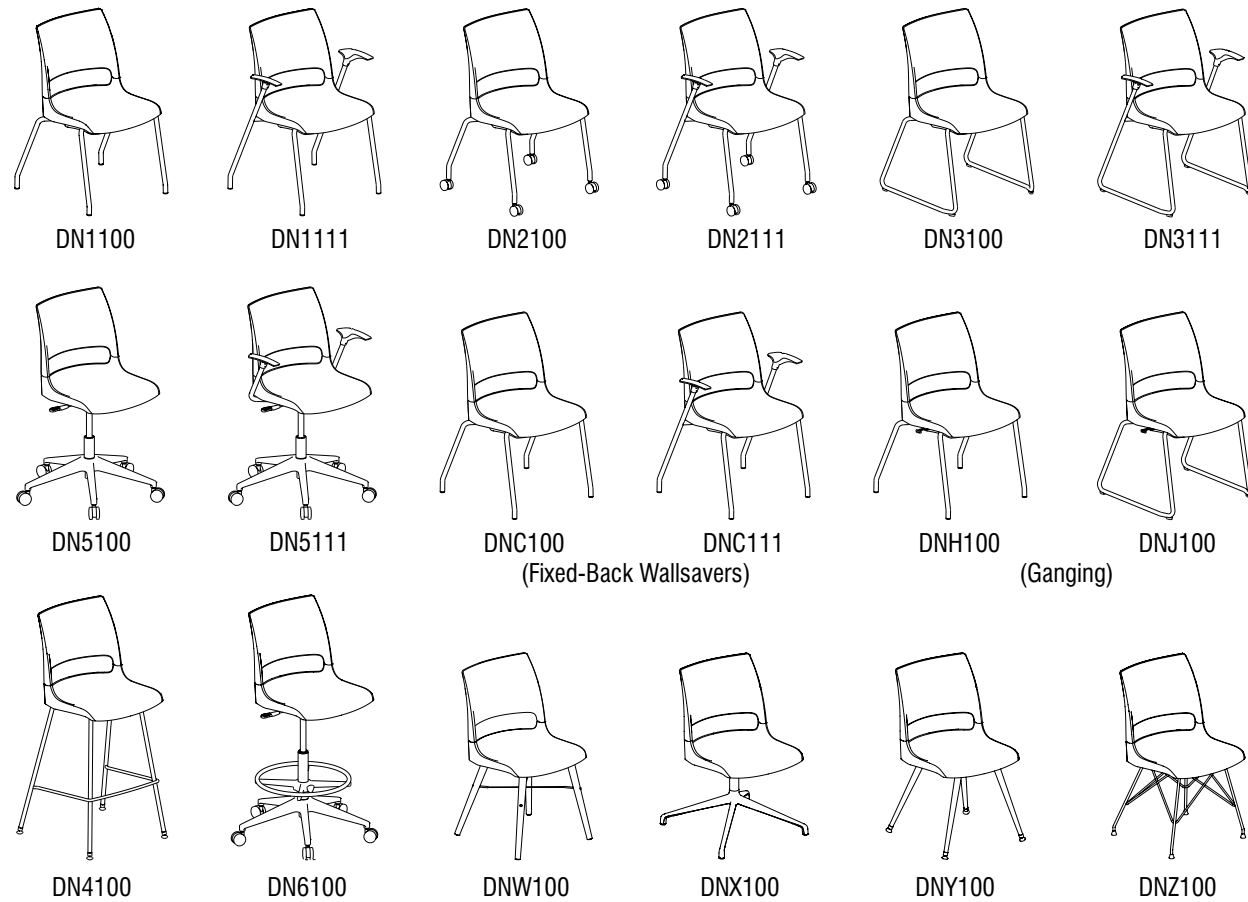
Refer to KI Terms & Conditions document or visit ki.com

DIMENSIONS



STATEMENT OF LINE

All models are available in polypropylene seat/backrest, upholstered seat/ polypropylene backrest, or upholstered seat/backrest.





Frame Color

Black	BL
Blue Grey	GR
Bronze Metallic	ZM
Champagne Metallic	CM
Chrome	CH
Cool Grey	CG
Cottonwood	CO
Espresso Metallic	EX
Flannel	FN
Glitz Metallic	GZ
Honey Bee	HY
Light Tone	LG
Misty Brown	MY
Nemo	NE
Nordic	ND
Poppy Red	PR
Starlight Silver Metallic	SX
Ultra Blue	UB
Warm Grey	WG
Wet Sand	WS
Zesty Lime	ZL

Wood Leg Finish

Cherry Storm on Beech	BCX
Cinnamon on Beech	BCN
Cocoa on Beech	BCA
Eclipse Black on Beech	BEB
Florence Walnut on Beech	BFC
Monticello Maple on Beech	BMT
Natural on Beech	BNA
River Cherry on Beech	BRY

All stain colors are acceptable for California Technical Bulletin 133.

SOLID COLOR Seat and Back Polypropylene

Non Flame-Retardant

Black	PBL
Blue Grey	PGR
Cool Grey	PCG
Cottonwood	PCO
Flannel	PFN
Honey Bee	PHY
Light Tone	PLG
Misty Brown	PMY
Nemo	PNE
Nordic	PND
Poppy Red	PPR
Ultra Blue	PUB
Warm Grey	PWG
Wet Sand	PWS
Zesty Lime	PZL

SOLID COLOR Seat and Back Polypropylene

Flame-Retardant

Black	PBL
-------	-----

The above seating product can be manufactured using the appropriate flame-retardant materials for compliance of California Technical Bulletin 133.

TWO-TONE COLOR Seat and Back - Polypropylene

Non Flame-Retardant

Outside/Inside

Outside Black/Inside Cottonwood	OBL/ICO
Outside Blue Grey/Inside Cool Grey	OGR/ICG
Outside Blue Grey/Inside Cottonwood	OGR/ICO
Outside Cool Grey/Inside Cottonwood	OCG/ICO
Outside Flannel/Inside Warm Grey	OFN/IWG
Outside Misty Brown/Inside Cottonwood	OMY/ICO
Outside Nemo/Inside Cottonwood	ONE/ICO
Outside Nordic/Inside Cool Grey	OND/ICG
Outside Poppy Red/Inside Cottonwood	OPR/ICO
Outside Surf's Up/Inside Cool Grey	OSP/ICG
Outside Ultra Blue/Inside Cottonwood	OUB/ICO
Outside Zesty Lime/Inside Cottonwood	OZL/ICO

Finish Cards

View color swatches for items listed within this document.

Paints

Plastics/Poly

Wood/Veneer

Laminates

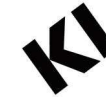
Molded Edges


Edge Styles

Hard Plastics

Glass

Certain options referenced may not be available on GSA Schedule.



MODEL	Features	MODEL NUMBER						Approx. Packaged Weight	Delivered Pricing Unupholstered	Delivered Pricing Fabric Grade 1 & C.O.M.	Delivered Pricing Fabric Grade 2	Delivered Pricing Fabric Grade 3	Delivered Pricing C.O.V.	Delivered Pricing Vinyl Group 2V	Delivered Pricing Pallas Fabric Group P0	Delivered Pricing Pallas Fabric Group P1	Delivered Pricing Pallas Fabric Group P2	Delivered Pricing Pallas Fabric Group P3	Delivered Pricing Pallas Fabric Group P4
		Basic Model	Fire Code	Poly Solid Color	Poly Outside/Inside Color	Glide Option	Upholstery Color												
 <p>Fourstar Swivel Base Armless Chair</p> <ul style="list-style-type: none"> • Solid or two-tone colored shell • Unlimited custom color matching • 17 degrees of hip articulation • Task and stack chair models available • 400 pound approved 	Solid Color, Polypropylene	DNX100	<input type="checkbox"/> <input type="checkbox"/> <input type="checkbox"/>	<input type="checkbox"/> <input type="checkbox"/> <input type="checkbox"/>		GPL	22.0#	\$ 517											
	Solid Color, Upholstered Seat	DNX200	<input type="checkbox"/> <input type="checkbox"/> <input type="checkbox"/>	<input type="checkbox"/> <input type="checkbox"/> <input type="checkbox"/>		GPL	24.5#	N/A	631	640	655	631	655	665	703	718	737	765	
	Solid Color, Upholstered Seat/Back	DNX300	<input type="checkbox"/> <input type="checkbox"/> <input type="checkbox"/>	<input type="checkbox"/> <input type="checkbox"/> <input type="checkbox"/>		GPL	26.0#	N/A	657	667	682	657	682	691	730	745	764	792	
	Two-Tone, Polypropylene	DNXA00	NFR		<input type="checkbox"/> <input type="checkbox"/> <input type="checkbox"/> <input type="checkbox"/> <input type="checkbox"/> <input type="checkbox"/>	GPL	22.0#	571											
	Two-Tone, Upholstered Seat	DNXB00	NFR		<input type="checkbox"/> <input type="checkbox"/> <input type="checkbox"/> <input type="checkbox"/> <input type="checkbox"/> <input type="checkbox"/>	GPL	24.5#	N/A	684	694	709	684	709	718	757	772	791	820	

- DNX1
- DNX2
- DNX3
- DNXA
- DNXB

HOW TO ORDER

Indicate the following information on order form:

1. Quantity of each item.
2. Model number, including options. See "How To Build a Model Number".
3. Any special service required.

Note:

- The indicates that a choice is required.
- The absence of the indicates that no choice is required.
- Alpha-numeric characters in place of indicate that no other alternatives are available.

HOW TO BUILD A MODEL NUMBER

- A** Select basic model.
- B** Select fire code.
 - FR** - Compliance to TB 133
 - NFR** - Compliance to TB 117-2013
 - See Upholstery Information for TB133 upcharge.
- C** Select solid poly color. Refer to the **Product Color Options** page in this price list.
- D** Select outside/inside poly color. Refer to the **Product Color Options** page in this price list.
- E** Select glide option.
 - GPL** - Plastic glides
- F** Select upholstery grade/color. Refer to ki.com/fabrics

UPHOLSTERY INFORMATION

C.O.M. Upholstery
C.O.M. requirement for 10 chairs or less with upholstered seat or upholstered seat and back is 3/4 yard per chair of 54" wide nondirectional fabric. For orders of 11 or more with upholstered seat and back and for complete information on ordering C.O.M. see "Ordering C.O.M., C.O.V. and C.O.L." section.

California TB133 Fire Safety Code

For California Technical Bulletin 133 compliant models, add the following upcharge.

Model=Solid Color, Polypropylene
Added List Price=\$10

Model=Solid Color, Upholstered Seat
Added List Price=\$68

Model=Solid Color, Upholstered Seat/Back
Added List Price=\$97

SPECIAL SERVICES

Special Carton Marking
With specially marked information N/C

Shipping
Ships **assembled, FOB Green Bay, WI 54302, freight prepaid.** Freight class 125.

Specifications and prices are subject to change without prior notice.



Features	MODEL NUMBER							Approx. Packaged Weight	Delivered Pricing Unupholstered	Delivered Pricing Fabric Grade 1 & C.O.M.	Delivered Pricing Fabric Grade 2	Delivered Pricing Fabric Grade 3	Delivered Pricing C.O.V.	Delivered Pricing Vinyl Group 2V	Delivered Pricing Pallas Fabric Group P0	Delivered Pricing Pallas Fabric Group P1	Delivered Pricing Pallas Fabric Group P2	Delivered Pricing Pallas Fabric Group P3	Delivered Pricing Pallas Fabric Group P4
	Basic Model	Fire Code	Poly Solid Color	Poly Outside/Inside Color	Frame Color	Glide Option	Upholstery Color												
Solid Color, Polypropylene	DNY100	□□□	□□□		□□	□□□		22.5#	\$ 388										
Solid Color, Upholstered Seat	DNY200	□□□	□□□		□□	□□□	□□□□□	25.0#	N/A	501	511	526	501	526	535	574	589	608	636
Solid Color, Upholstered Seat/Back	DNY300	□□□	□□□		□□	□□□	□□□□□	26.5#	N/A	528	537	553	528	553	562	601	616	635	664
Two-Tone, Polypropylene	DNYA00	NFR		□□□□□□	□□	□□□		22.5#	441										
Two-Tone, Upholstered Seat	DNYB00	NFR		□□□□□□	□□	□□□	□□□□□	25.0#	N/A	555	564	580	555	580	589	627	643	662	690



DNY1
DNY2
DNY3
DNYA
DNYB
Tapered Steel Leg Armless Chair

- Solid or two-tone colored shell
- Unlimited custom color matching
- 17 degrees of hip articulation
- Task and stack chair models available
- 400 pound approved

A **B** **C** **D** **E** **F** **G**

HOW TO ORDER

Indicate the following information on order form:

- Quantity of each item.
- Model number, including options. See "How To Build a Model Number".
- Any special service required.

Note:

- The □ indicates that a choice is required.
- The absence of the □ indicates that no choice is required.
- Alpha-numeric characters in place of □ indicate that no other alternatives are available.

HOW TO BUILD A MODEL NUMBER

A Select basic model.

B Select fire code.
NFR - Compliance to TB 117-2013
FR - Compliance to TB 133
 See Upholstery Information for TB133 upcharge.

C Select solid poly color.
 Refer to the **Product Color Options** page in this price list.

D Select outside/inside poly color.
 Refer to the **Product Color Options** page in this price list.

E Select frame color.
 Refer to the **Product Color Options** page in this price list.

F Select glide option.
GNL - Plastic/Nylon Glides
GSL - Steel glides

G Select upholstery grade/color.
 Refer to ki.com/fabrics

UPHOLSTERY INFORMATION

C.O.M. Upholstery
 C.O.M. requirement for 10 chairs or less with upholstered seat or upholstered seat and back is 3/4 yard per chair of 54" wide nondirectional fabric. For orders of 11 or more with upholstered seat and back and for complete information on ordering C.O.M. see "Ordering C.O.M., C.O.V. and C.O.L." section.

California TB133 Fire Safety Code
 For California Technical Bulletin 133 compliant models, add the following upcharge.

Model=Solid Color, Polypropylene
 Added List Price=\$10
 Model=Solid Color, Upholstered Seat
 Added List Price=\$68
 Model=Solid Color, Upholstered Seat/Back
 Added List Price=\$97

SPECIAL SERVICES

Special Carton Marking
 With specially marked information N/C

Shipping
 Ships **assembled, FOB Green Bay, WI 54302, freight prepaid.** Freight class 125.

Specifications and prices are subject to change without prior notice.



Features	MODEL NUMBER							Approx. Packaged Weight	Delivered Pricing Unupholstered	Delivered Pricing Fabric Grade 1 & C.O.M.	Delivered Pricing Fabric Grade 2	Delivered Pricing Fabric Grade 3	Delivered Pricing C.O.V.	Delivered Pricing Vinyl Group 2V	Delivered Pricing Pallas Fabric Group P0	Delivered Pricing Pallas Fabric Group P1	Delivered Pricing Pallas Fabric Group P2	Delivered Pricing Pallas Fabric Group P3	Delivered Pricing Pallas Fabric Group P4
	Basic Model	Fire Code	Poly Solid Color	Poly Outside/Inside Color	Wood Leg Finish	Glide Option	Upholstery Color												
Solid Color, Polypropylene	DNW100	<input type="checkbox"/> <input type="checkbox"/> <input type="checkbox"/> <input type="checkbox"/>	<input type="checkbox"/> <input type="checkbox"/> <input type="checkbox"/> <input type="checkbox"/>		<input type="checkbox"/> <input type="checkbox"/> <input type="checkbox"/>	GPL		18.0#	\$ 629										
Solid Color, Upholstered Seat	DNW200	<input type="checkbox"/> <input type="checkbox"/> <input type="checkbox"/> <input type="checkbox"/>	<input type="checkbox"/> <input type="checkbox"/> <input type="checkbox"/> <input type="checkbox"/>		<input type="checkbox"/> <input type="checkbox"/> <input type="checkbox"/>	GPL	<input type="checkbox"/> <input type="checkbox"/> <input type="checkbox"/> <input type="checkbox"/> <input type="checkbox"/>	20.5#	N/A	744	752	769	744	769	777	816	831	851	879
Solid Color, Upholstered Seat/Back	DNW300	<input type="checkbox"/> <input type="checkbox"/> <input type="checkbox"/> <input type="checkbox"/>	<input type="checkbox"/> <input type="checkbox"/> <input type="checkbox"/> <input type="checkbox"/>		<input type="checkbox"/> <input type="checkbox"/> <input type="checkbox"/>	GPL	<input type="checkbox"/> <input type="checkbox"/> <input type="checkbox"/> <input type="checkbox"/> <input type="checkbox"/>	22.0#	N/A	771	779	796	771	796	804	842	858	878	905
Two-Tone, Polypropylene	DNWA00	NFR		<input type="checkbox"/> <input type="checkbox"/> <input type="checkbox"/> <input type="checkbox"/> <input type="checkbox"/> <input type="checkbox"/>	<input type="checkbox"/> <input type="checkbox"/> <input type="checkbox"/>	GPL		18.0#	683										
Two-Tone, Upholstered Seat	DNWB00	NFR		<input type="checkbox"/> <input type="checkbox"/> <input type="checkbox"/> <input type="checkbox"/> <input type="checkbox"/> <input type="checkbox"/>	<input type="checkbox"/> <input type="checkbox"/> <input type="checkbox"/>	GPL	<input type="checkbox"/> <input type="checkbox"/> <input type="checkbox"/> <input type="checkbox"/> <input type="checkbox"/>	20.5#	N/A	798	806	823	798	823	831	869	885	904	932



- DNW1
- DNW2
- DNW3
- DNWA
- DNWB
- Tapered Wood Leg Armless Chair**
- Solid or two-tone colored shell
- Unlimited custom color matching
- 17 degrees of hip articulation
- Task and stack chair models available
- 300 pound approved

A **B** **C** **D** **E** **F** **G**

HOW TO ORDER

- Indicate the following information on order form:
- Quantity of each item.
 - Model number, including options. See "How To Build a Model Number".
 - Any special service required.

Note: • The indicates that a choice is required.
• The absence of the indicates that no choice is required.
• Alpha-numeric characters in place of indicate that no other alternatives are available.

HOW TO BUILD A MODEL NUMBER

- A** Select basic model.
- B** Select fire code.
FR - Compliance to TB 133
NFR - Compliance to TB 117-2013
See Upholstery Information for TB133 upcharge.
- C** Select solid poly color.
Refer to the **Product Color Options** page in this price list.
- D** Select outside/inside poly color.
Refer to the **Product Color Options** page in this price list.
- E** Select wood leg finish color.
Refer to the **Product Color Options** page in this price list.
- F** Select glide option.
GPL - Plastic glides
- G** Select upholstery grade/color.
Refer to ki.com/fabrics

UPHOLSTERY INFORMATION

C.O.M. Upholstery
C.O.M. requirement for 10 chairs or less with upholstered seat or upholstered seat and back is 3/4 yard per chair of 54" wide nondirectional fabric. For orders of 11 or more with upholstered seat and back and for complete information on ordering C.O.M. see "Ordering C.O.M., C.O.V. and C.O.L." section.

California TB133 Fire Safety Code
For California Technical Bulletin 133 compliant models, add the following upcharge.

Model=Solid Color, Polypropylene
Added List Price=\$10
Model=Solid Color, Upholstered Seat
Added List Price=\$68
Model=Solid Color, Upholstered Seat/Back
Added List Price=\$97


SPECIAL SERVICES

Special Carton Marking
With specially marked information N/C

Shipping
Ships **assembled, FOB Green Bay, WI 54302, freight prepaid.** Freight class 125.

Specifications and prices are subject to change without prior notice.



MODEL	Features	MODEL NUMBER						Approx. Packaged Weight	Delivered Pricing Unupholstered	Delivered Pricing Fabric Grade 1 & C.O.M.	Delivered Pricing Fabric Grade 2	Delivered Pricing Fabric Grade 3	Delivered Pricing C.O.V.	Delivered Pricing Vinyl Group 2V	Delivered Pricing Pallas Fabric Group P0	Delivered Pricing Pallas Fabric Group P1	Delivered Pricing Pallas Fabric Group P2	Delivered Pricing Pallas Fabric Group P3	Delivered Pricing Pallas Fabric Group P4
		Basic Model	Fire Code	Poly Solid Color	Poly Outside/Inside Color	Glide Option	Upholstery Color												
 <p>Wire Tower Base Armless Chair</p> <ul style="list-style-type: none"> • Solid or two-tone colored shell • Unlimited custom color matching • 17 degrees of hip articulation • Frames finished in bright nickel-chrome plating • Task and stack chair models available • 400 pound approved 	Solid Color, Polypropylene	DNZ100	<input type="checkbox"/> <input type="checkbox"/> <input type="checkbox"/>	<input type="checkbox"/> <input type="checkbox"/> <input type="checkbox"/>		<input type="checkbox"/> <input type="checkbox"/> <input type="checkbox"/>		17.5#	\$ 334										
	Solid Color, Upholstered Seat	DNZ200	<input type="checkbox"/> <input type="checkbox"/> <input type="checkbox"/>	<input type="checkbox"/> <input type="checkbox"/> <input type="checkbox"/>		<input type="checkbox"/> <input type="checkbox"/> <input type="checkbox"/>	<input type="checkbox"/> <input type="checkbox"/> <input type="checkbox"/> <input type="checkbox"/> <input type="checkbox"/>	20.0#	N/A	448	457	472	448	472	482	520	535	554	582
	Solid Color, Upholstered Seat/ Back	DNZ300	<input type="checkbox"/> <input type="checkbox"/> <input type="checkbox"/>	<input type="checkbox"/> <input type="checkbox"/> <input type="checkbox"/>		<input type="checkbox"/> <input type="checkbox"/> <input type="checkbox"/>	<input type="checkbox"/> <input type="checkbox"/> <input type="checkbox"/> <input type="checkbox"/> <input type="checkbox"/>	21.5#	N/A	474	484	499	474	499	509	547	562	581	609
	Two-Tone, Polypropylene	DNZA00	NFR		<input type="checkbox"/> <input type="checkbox"/> <input type="checkbox"/> <input type="checkbox"/> <input type="checkbox"/> <input type="checkbox"/>	<input type="checkbox"/> <input type="checkbox"/> <input type="checkbox"/>		17.5#	388										
	Two-Tone, Upholstered Seat	DNZB00	NFR		<input type="checkbox"/> <input type="checkbox"/> <input type="checkbox"/> <input type="checkbox"/> <input type="checkbox"/> <input type="checkbox"/>	<input type="checkbox"/> <input type="checkbox"/> <input type="checkbox"/>	<input type="checkbox"/> <input type="checkbox"/> <input type="checkbox"/>	20.0#	N/A	501	511	526	501	526	535	574	589	608	636

DNZ1
DNZ2
DNZ3
DNZA
DNZB

HOW TO ORDER

- Indicate the following information on order form:
1. Quantity of each item.
 2. Model number, including options. See "How To Build a Model Number".
 3. Any special service required.

Note:

- The indicates that a choice is required.
- The absence of the indicates that no choice is required.
- Alpha-numeric characters in place of indicate that no other alternatives are available.

HOW TO BUILD A MODEL NUMBER

- A** Select basic model.
- B** Select fire code.

FR	- Compliance to TB 133
NFR	- Compliance to TB 117-2013

 See Upholstery Information for TB133 upcharge.
- C** Select solid poly color. Refer to the **Product Color Options** page in this price list.
- D** Select outside/inside poly color. Refer to the **Product Color Options** page in this price list.
- E** Select glide option.

GFT	- Felt glides
GPL	- Plastic glides
- F** Select upholstery grade/color. Refer to ki.com/fabrics

UPHOLSTERY INFORMATION

C.O.M. Upholstery
C.O.M. requirement for 10 chairs or less with upholstered seat or upholstered seat and back is 3/4 yard per chair of 54" wide nondirectional fabric. For orders of 11 or more with upholstered seat and back and for complete information on ordering C.O.M. see "Ordering C.O.M., C.O.V. and C.O.L." section.

California TB133 Fire Safety Code
For California Technical Bulletin 133 compliant models, add the following upcharge.

Model=Solid Color, Polypropylene
Added List Price=\$10
Model=Solid Color, Upholstered Seat
Added List Price=\$68
Model=Solid Color, Upholstered Seat/Back
Added List Price=\$97

SPECIAL SERVICES

Special Carton Marking

With specially marked information N/C

Shipping
Ships **assembled, FOB Green Bay, WI 54302, freight prepaid.** Freight class 125.

Specifications and prices are subject to change without prior notice.



Four-Leg Armless Chair



Four-Leg Arm Chair



Four-Leg Armless Chair
with Casters



Four-Leg Arm Chair
with Casters

Features				
Stackable	•	•	•	•
Poly, upholstered seat, or upholstered seat/back	•	•	•	•
General Dimensions				
Seat width	19-1/4"	19-1/4"	19-1/4"	19-1/4"
Seat depth	18-3/4"	18-3/4"	18-3/4"	18-3/4"
Seat height (upholstered add 1")	18"	18"	18"	18"
Overall Dimensions				
Width	22-1/4"	25-3/8"	23-1/4"	25-3/8"
Depth	21-1/2"	21-1/2"	22-1/8"	22-1/8"
Height	33-3/4"	33-3/4"	33-3/4"	33-3/4"
Arms to floor		26-1/2"		26-1/2"
Stacking on Dolly				
Overall width	25"	25-3/8"	25"	25-3/8"
Overall depth	42"	42"	42"	42"
Quantity/height - poly	12 Chairs / 69" High	12 Chairs / 69" High	12 Chairs / 69" High	12 Chairs / 69" High
Quantity/height - upholstered	6 Chairs / 50" High	6 Chairs / 50" High	6 Chairs / 50" High	6 Chairs / 50" High
Stacking on Floor				
Width	22-1/4"	25-3/8"	23-1/4"	25-3/8"
Depth	34"	34"	34"	34"
Quantity/height	6 Chairs / 49" High	6 Chairs / 49" High	6 Chairs / 49" High	6 Chairs / 49" High



Sled Base Armless Chair



Sled Base Arm Chair



24" Cafe Stool



30" Cafe Stool



Transport Dolly

Features					
Stackable	•	•			
Poly, upholstered seat, or upholstered seat/back	•	•	•	•	
General Dimensions					
Seat width	19-1/4"	19-1/4"	19-1/4"	19-1/4"	
Seat depth	18-3/4"	18-3/4"	18-3/4"	18-3/4"	
Seat height (upholstered add 1")	18"	18"	24"	30"	
Overall Dimensions					
Width	22-1/4"	25-3/8"	21"	22-1/2"	23-3/4"
Depth	22-1/8"	22-1/8"	21"	21-1/2"	35-1/2"
Height	33-3/4"	33-3/4"	39-3/4"	45-3/4"	62-1/4"
Arms to floor		26-1/2"			
Stacking on Dolly					
Overall width	25"	25-3/8"			
Overall depth	42"	42"			
Quantity/height - poly	12 Chairs / 69" High	12 Chairs / 69" High			
Quantity/height - upholstered	6 Chairs / 50" High	6 Chairs / 50" High			
Stacking on Floor					
Width	22"	25-3/8"			
Depth	34"	34"			
Quantity/height	6 Chairs / 49" High	6 Chairs / 49" High			

C.O.M. Testing and Production Requirements

Not all materials are suitable for upholstering this product. A 1 yd. x 54" sample must be submitted and approved prior to acceptance of an order. If the fabric is directional in pattern or weave, the direction must be indicated on the submitted sample, and additional yardage may be requested.

Test samples must be sent to:

KI
Attn: C.O.M. Specialist
1687 Westminster Drive - Gate 3
Green Bay, WI 54302

Design

Designed by Giancarlo Piretti and manufactured in the USA by Krueger International, Inc. under license from Pro-Cord S.p.A

KI Custom Poly Color Matching Program

Whatever you imagine, whatever you require. KI's custom color-matching program lets you pick your color.

No upcharge with a minimum quantity of 100 or more (\$500 set-up charge if quantity is 99 or less). See "Custom Color Matching Requirements" page in the front of this book for ordering details.

INFORMATION

Warranty

Refer to KI Terms & Conditions document or visit ki.com

Four Leg ChangeUp Tablet Arm Chair
with GlidesFour Leg ChangeUp Tablet Arm Chair
with Casters

Sled Base ChangeUp Tablet Arm Chair

Features			
Stackable			
Poly, upholstered seat, or upholstered seat/back	•	•	•
General Dimensions			
Seat width	19-1/4"	19-1/4"	19-1/4"
Seat depth	18-3/4"	18-3/4"	18-3/4"
Seat height (upholstered add 1")	18"	18"	18"
Tablet to chair back clearance	16-1/4"	16-1/4"	16-1/4"
Overall Dimensions			
Width	25-3/4"	25-3/4"	25"
Depth	28" - 32-1/4"	28" - 32-1/4"	28-1/2" - 33"
Height	33-3/4"	33-3/4"	33-3/4"
Arms to floor	27-1/4"	27-1/4"	27-1/4"

TECHNICAL SPECIFICATIONS

Seat Shell and Backrest Articulation Mechanism

The backrest, seat, and shroud are injection-molded polypropylene. The seat and backrest are joined by a pair of hidden articulation mechanisms, each consisting of a 14-gauge steel housing, twin 7-gauge levers and steel coil springs. While maintaining a one-piece shell appearance, this mechanism allows the backrest to recline up to 17-degrees of motion.

Optional Upholstered Seat and Back

Urethane foam is attached to an injection-molded polypropylene liner board, then upholstered using a draw-string process. Seat foam is molded nominal 1" thickness, and back foam is nominal 1/2" thickness. The flush-head fasteners that attach the back pad are color-matched to the polypropylene.

4-leg and Caster Frames

Legs are made from 7/8" O.D. by 13-gauge tubular steel. A single ring of 1/2" diameter steel wire forms the crossmember. All joints are welded. An optional wallsaver configuration is available. The wallsaver configuration maintains 1/2" gap between backrest and wall by locking the backrest mechanisms in the upright position.

Sled Frames

Sled side frames are made from 3/4" O.D. by 13-gauge tubular steel. A single ring of 1/2" diameter steel wire forms the crossmember. All joints are welded.

Frame Finishes

Frames are finished in either baked-on electrostatically-applied 30-degree gloss epoxy powder-coat paint, or bright nickel-chrome plating.

Arms

Optional armrests are available. When equipped with arms, the support structure is a continuation of the rear leg, finished to match the frame color. The armrests are injection-molded glass-reinforced polypropylene. Arm color matches the frame finish, (except Chrome, hammertone, and metallic finishes; which match the outer shell poly color). The steel frame tube is inserted into a socket molded into the armrest, and secured with a screw.

C.O.M. Testing and Production Requirements

Not all materials are suitable for upholstering this product. A 1 yd. x 54" sample must be submitted and approved prior to acceptance of an order. If the fabric is directional in pattern or weave, the direction must be indicated on the submitted sample, and additional yardage may be requested.

Test samples must be sent to:

KI
Attn: C.O.M. Specialist
1687 Westminster Drive - Gate 3
Green Bay, WI 54302

Design

Designed by Giancarlo Piretti and manufactured in the USA by Krueger International, Inc. under license from Pro-Cord S.p.A

KI Custom Poly Color Matching Program

Whatever you imagine, whatever you require. KI's custom color-matching program lets you pick your color.

No upcharge with a minimum quantity of 100 or more (\$500 set-up charge if quantity is 99 or less). See "Custom Color Matching Requirements" page in the front of this book for ordering details.

INFORMATION

Warranty

Refer to KI Terms & Conditions document or visit ki.com

Glides**4-Leg Chairs**

The bottom ends of the leg tubes are formed to be vertical where they meet the floor and the glides are pressed into them. Three glide options are available; felt, plastic, and steel. Felt and plastic glides have a swivel base and have easy-on/easy-off replaceable caps, which makes field replacement easy and efficient (plastic & felt caps are interchangeable). Steel glides have a non-swivel base and do not have interchangeable caps. No color options are available for glides.

Sled Base Chairs

Three glide options are available; non-skid, plastic, and steel. Non-skid glides are molded in two shots with a high impact ridged PVC upper and a flexible PVC base. Plastic glides are injection molded polypropylene. Steel glides are two-part construction consisting of a plastic housing with a stainless steel insert for the base. Glides are attached to the chair frame with one screw each. No color options are available for glides.

Casters

4-leg chairs may be ordered with casters instead of glides. Casters are 50 mm O.D., double-wheel high-impact thermoplastic, available with hard or soft wheel surface, in black only.

Gangers

Optional gangers are available on armless 4-leg and sled base chairs only. Gangers are made of chrome-plated $\frac{3}{16}$ " diameter steel wire, mounted to the chair with an injection-molded nylon hub.

Café Stool Base

A seat ring is made of $\frac{1}{2}$ " diameter steel wire and attached to the seat with 14-gauge steel brackets. Legs are made from $\frac{3}{4}$ " diameter steel tubing, and the footring is formed of $\frac{1}{2}$ " diameter steel wire. All joints are welded and the frames are finished in either baked-on electrostatically-applied 30-degree gloss epoxy powder-coat paint or bright nickel-chrome plating.

Glides

Café stools are equipped with swivel glides in a bright steel finish. The floor contact surface is either steel or neutral color nylon.

Transport Dolly

Frame construction is welded tubular steel with black powder-coated finish and 5" wheels (two swivel and two fixed). The dolly fits 4-leg or sled base chairs and has a capacity of twelve poly chairs or six upholstered.

ChangeUp™ Tablet Arm

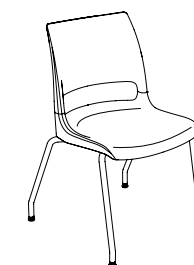
ChangeUp tablet support is integral to the chair frame and consists of a $\frac{7}{8}$ " diameter solid steel rod welded to the front and rear support tubes. A three-piece molded plastic armrest is included and attached to the chair frame using a #10 x $2\frac{1}{2}$ " Phillips pan head tapping screw.

The tablet mechanism consists a die-cast aluminum housing, upper and lower plastic bearings, and 11-gauge steel clamp and tablet board support plates. The tablet mechanism is clamped onto the chair frame over two plastic bushing halves and a $\frac{5}{16}$ " diameter by $1\frac{3}{4}$ " hardened steel pin with a die-cast aluminum cap secured with two $\frac{1}{4}$ -20 x $\frac{3}{4}$ " button socket head cap screws. The pin creates a solid 90° up/down pivot stop and the bushings provide a smooth, quiet operation. In the use position, the tablet mechanism rotates outward from the chair back an additional 20° and permits approximately $3\frac{1}{2}$ " of adjustment for ingress/egress without stowing the tablet.

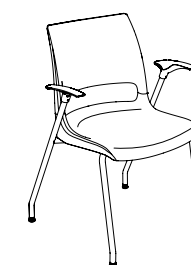
The tablet worksurface is 21" wide by $13\frac{1}{2}$ " deep (235 square inches) is secured to the tablet board support plate with twelve #12 x $\frac{5}{8}$ " Phillips flat head tapping screws. The tablet board is made of 18 mm Baltic Birch plywood with .040" high-pressure laminate top surface and .02" thick phenolic backer surface for an overall board thickness of approximately $\frac{3}{4}$ ". Edges are lacquered with a clear finish and sealed. The factory installed tablet assembly is not field installable and may not be removed.

STATEMENT OF LINE

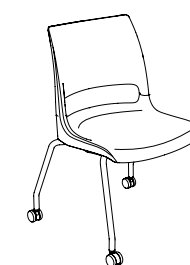
All models are available in polypropylene seat/backrest, upholstered seat/ polypropylene backrest, or upholstered seat/backrest.



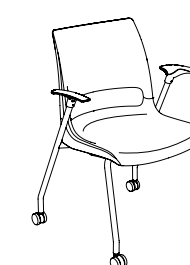
DN1100



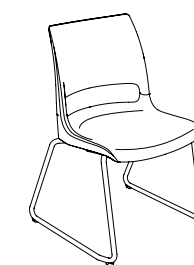
DN1111



DN2100



DN2111



DN3100



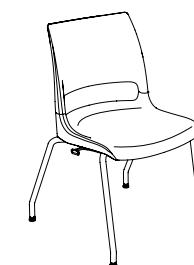
DN3111



DNC100



DNC111



DNH100



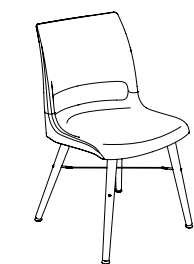
DNJ100



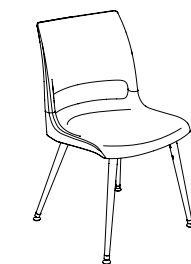
DN4100H24



DNX100



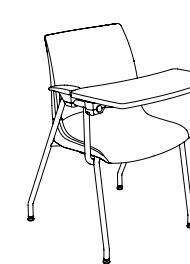
DNW100



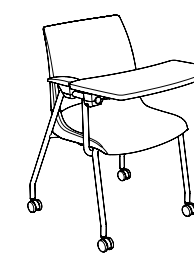
DNY100



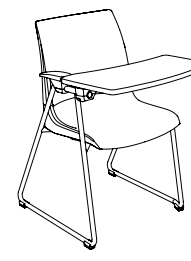
DNZ100



DN119R



DN219R

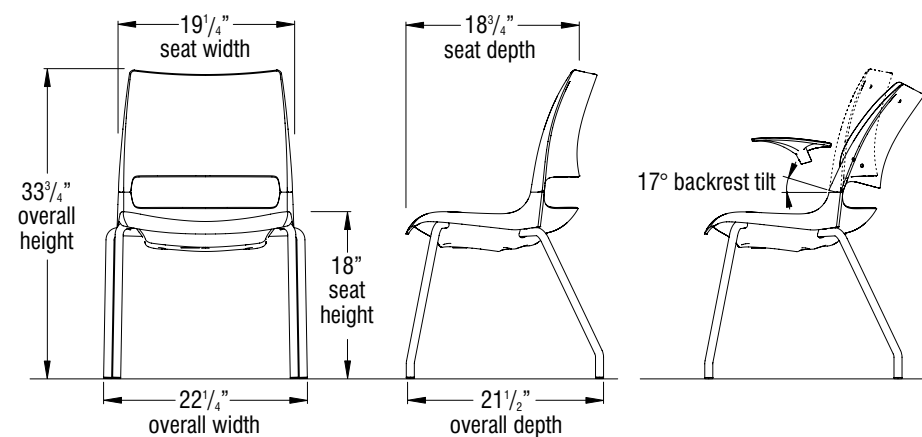


DN319R

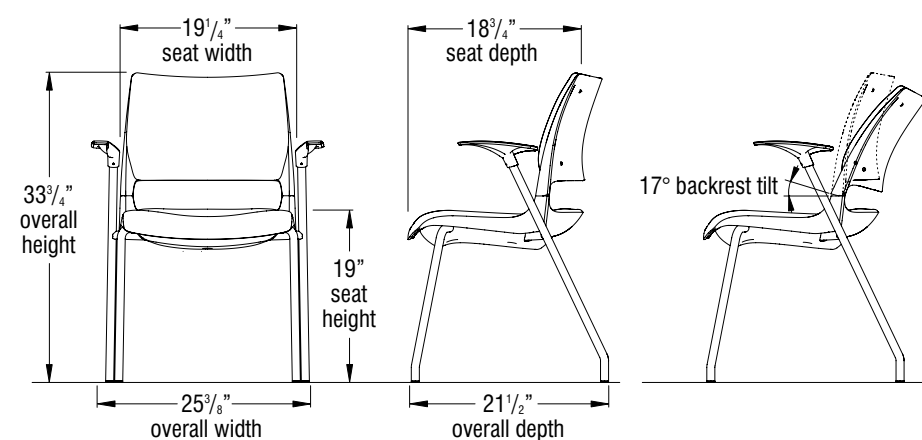


DIMENSIONS

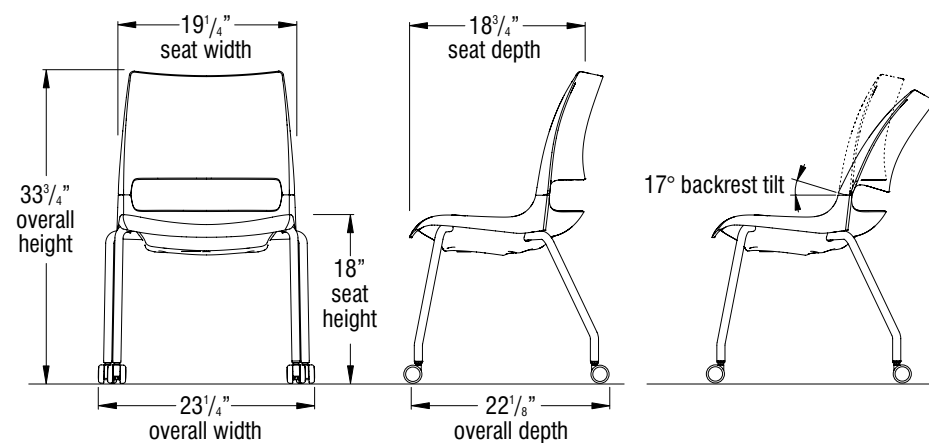
Doni 4-Leg Armless Chair



Doni 4-Leg Armchair

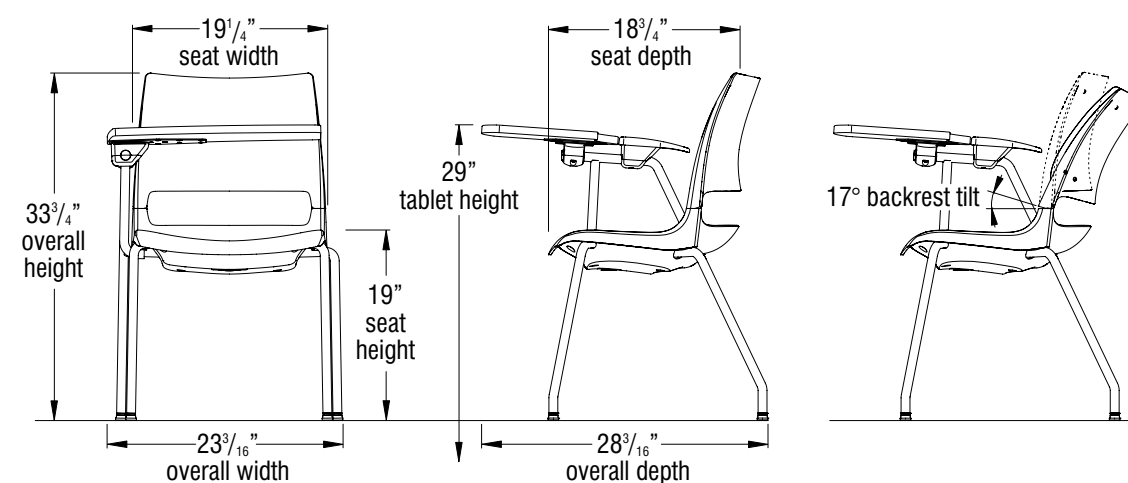


Doni 4-Leg Armless Chair with Casters

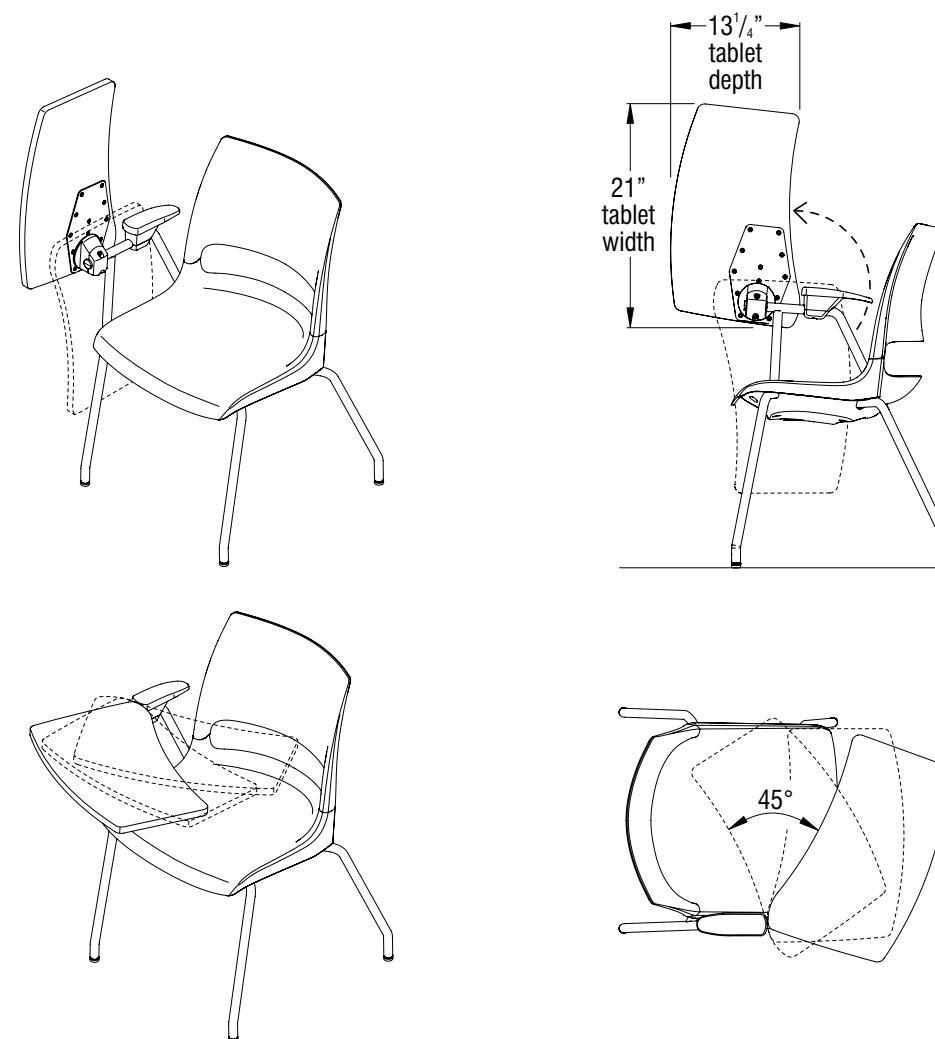


DIMENSIONS

Doni 4-Leg ChangeUp Tablet Armchair with Glides

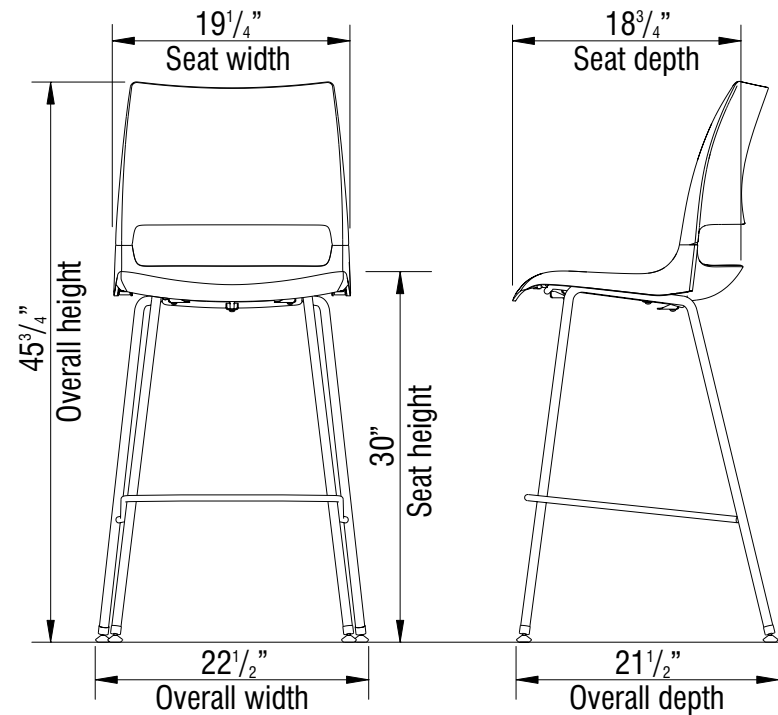
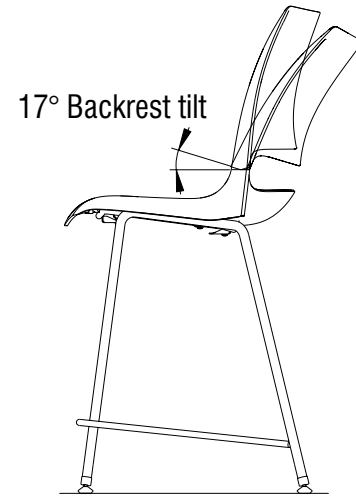
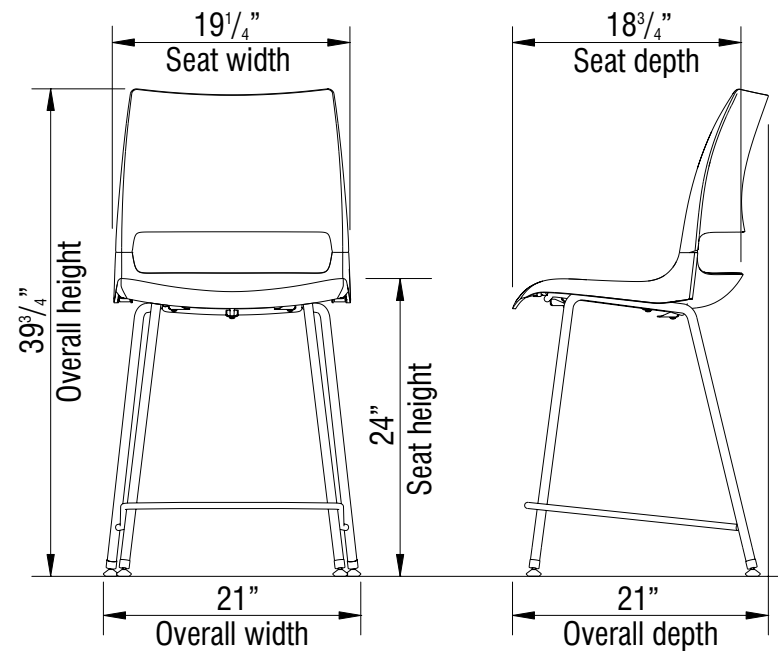


ChangeUp Tablet Arm

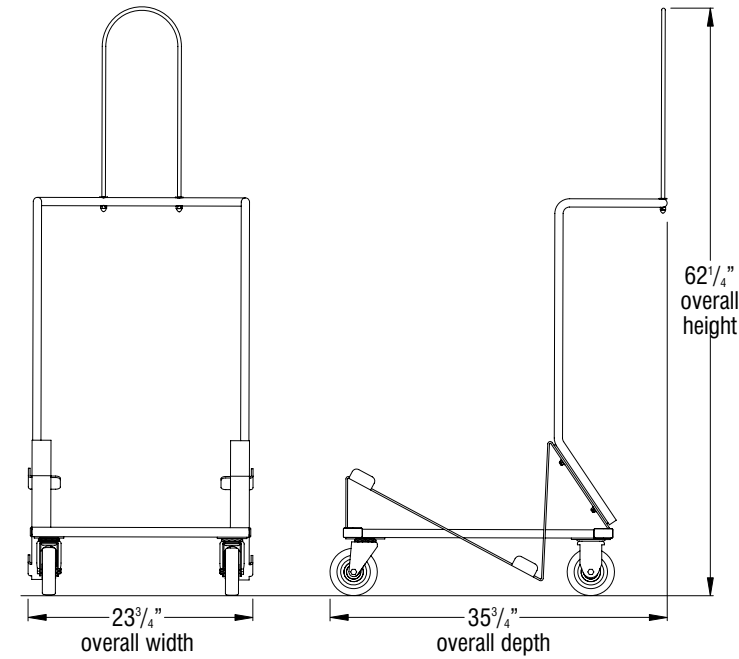




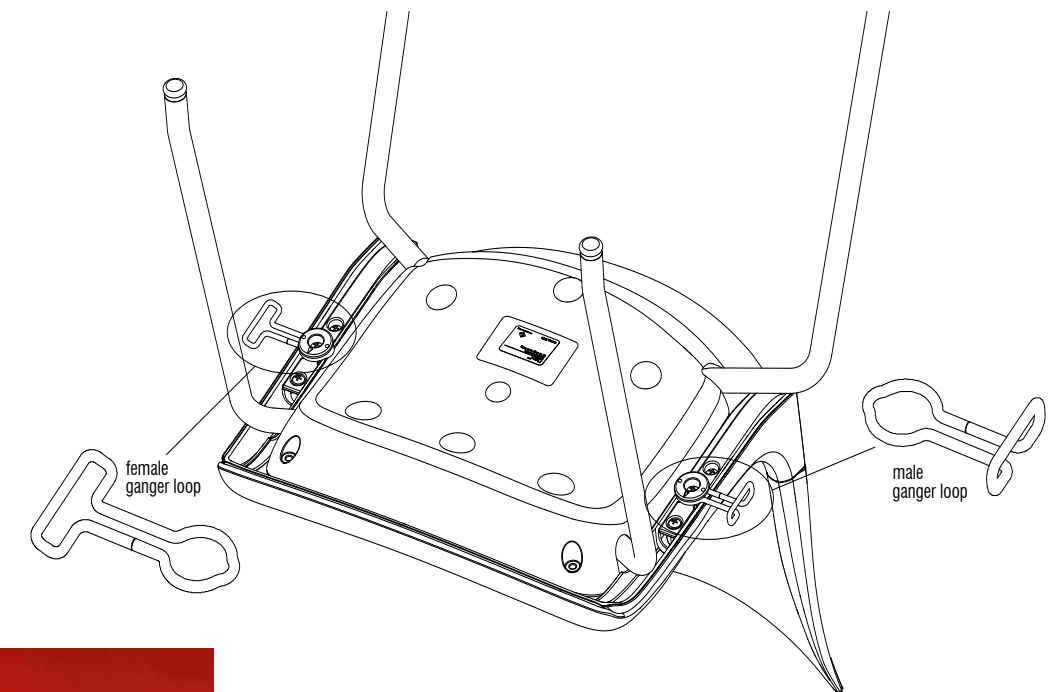
DIMENSIONS



Dolly



Ganging Mechanism allows curved rows and rotates out of sight below the seat when not in use. Available on 4-leg and sled base chairs only.





Frame Color

Black	BL
Blue Grey	GR
Bronze Metallic	ZM
Champagne Metallic	CM
Chrome	CH
Cool Grey	CG
Cottonwood	CO
Espresso Metallic	EX
Flannel	FN
Glitz Metallic	GZ
Honey Bee	HY
Light Tone	LG
Misty Brown	MY
Nemo	NE
Nordic	ND
Poppy Red	PR
Starlight Silver Metallic	SX
Ultra Blue	UB
Warm Grey	WG
Wet Sand	WS
Zesty Lime	ZL

**SOLID COLOR Seat and Back Polypropylene
Non Flame-Retardant**

Black	PBL
Blue Grey	PGR
Cool Grey	PCG
Cottonwood	PCO
Flannel	PFN
Honey Bee	PHY
Light Tone	PLG
Misty Brown	PMY
Nemo	PNE
Nordic	PND
Poppy Red	PPR
Ultra Blue	PUB
Warm Grey	PWG
Wet Sand	PWS
Zesty Lime	PZL

**SOLID COLOR Seat and Back Polypropylene
Flame-Retardant**

Black	PBL
-------	-----

The above seating product can be manufactured using the appropriate flame-retardant materials for compliance of California Technical Bulletin 133.

**TWO-TONE COLOR Seat and Back - Polypropylene
Non Flame-Retardant**

Outside/Inside	
Outside Black/Inside Cottonwood	OBL/ICO
Outside Blue Grey/Inside Cool Grey	OGR/ICG
Outside Blue Grey/Inside Cottonwood	OGR/ICO
Outside Cool Grey/Inside Cottonwood	OCG/ICO
Outside Flannel/Inside Warm Grey	OFN/IWG
Outside Misty Brown/Inside Cottonwood	OMY/ICO
Outside Nemo/Inside Cottonwood	ONE/ICO
Outside Nordic/Inside Cool Grey	OND/ICG
Outside Poppy Red/Inside Cottonwood	OPR/ICO
Outside Surf's Up/Inside Cool Grey	OSP/ICG
Outside Ultra Blue/Inside Cottonwood	OUB/ICO
Outside Zesty Lime/Inside Cottonwood	OZL/ICO

ChangeUp Table Arm Color - Laminate

Biltmore Cherry	LBT
Black	LBK
Brighton Walnut	LBW
Canyon Zephyr	LCA
Castle Oak	LCO
Casual Linen	LCU
Cherry Storm	LCX
Classic Linen	LCI
Cloud Zephyr	LCL
Cocobala	LCC
Coffee Bean	LCB
Crisp Linen	LRI
Desert Zephyr	LDZ
Dove Grey	LDG
Fired Steel	LIL
Flax Linen	LXF
Florence Walnut	LFC
Forged Steel	LOL
Frosty White	LFW
Graphite Nebula	LGN
Grey	LGE
High Rise	LHE
Hollyberry	LHY
Irish Linen	LIH
Island	LID
Italian Silver Ash	LIT
Kensington Maple	LKM
Lapis Blue	LLB
Markerboard White	LMK
Misted Zephyr	LMR
Monticello Maple	LMT
Nickel Evolv	LNV
North Sea	LNA
Ocean	LON
Orange Grove	LOE
Pearl Bisque	LPB
Pearl Silver	LPS
Pressed Linen	LPR
River Cherry	LRY
Rugged Linen	LRG
Satin Stainless	LSS
Shadow Zephyr	LSR
Silicon evolv	LSV
Sterling Ash	LAZ
Tailored Linen	LTL
Titanium evolv	LTV
White Nebula	LWL
White Sand	LWN
Windsor Mahogany	LWY

Finish Cards

View color swatches for items listed within this document.

- [Paints](#)
- [Wood/Veneer](#)
- [Molded Edges](#)
- [Hard Plastics](#)
- [Plastics/Poly](#)
- [Laminates](#)
- [Edge Styles](#)
- [Glass](#)

Certain options referenced may not be available on GSA Schedule.



Features	MODEL NUMBER							Approx. Packaged Weight	Delivered Pricing Unupholstered	Delivered Pricing Fabric Grade 1 & C.O.M.	Delivered Pricing Fabric Grade 2	Delivered Pricing Fabric Grade 3	Delivered Pricing C.O.V.	Delivered Pricing Vinyl Group 2V	Delivered Pricing Pallas Fabric Group P0	Delivered Pricing Pallas Fabric Group P1	Delivered Pricing Pallas Fabric Group P2	Delivered Pricing Pallas Fabric Group P3	Delivered Pricing Pallas Fabric Group P4
	Basic Model	Fire Code	Poly Solid Color	Poly Outside/Inside Color	Frame Color	Glide Option	Upholstery Color												
Solid Color, Polypropylene	DN1100	<input type="checkbox"/> <input type="checkbox"/>	<input type="checkbox"/> <input type="checkbox"/>		<input type="checkbox"/> <input type="checkbox"/>	<input type="checkbox"/> <input type="checkbox"/>		19.0#	\$ 280										
Solid Color, Upholstered Seat	DN1200	<input type="checkbox"/> <input type="checkbox"/>	<input type="checkbox"/> <input type="checkbox"/>		<input type="checkbox"/> <input type="checkbox"/>	<input type="checkbox"/> <input type="checkbox"/>	<input type="checkbox"/> <input type="checkbox"/> <input type="checkbox"/> <input type="checkbox"/>	21.5#	N/A	394	402	419	394	419	427	466	482	500	528
Solid Color, Upholstered Seat/Back	DN1300	<input type="checkbox"/> <input type="checkbox"/>	<input type="checkbox"/> <input type="checkbox"/>		<input type="checkbox"/> <input type="checkbox"/>	<input type="checkbox"/> <input type="checkbox"/>	<input type="checkbox"/> <input type="checkbox"/> <input type="checkbox"/> <input type="checkbox"/>	23.0#	N/A	421	430	445	421	445	454	493	509	527	555
Two-Tone, Polypropylene	DN1A00	NFR		<input type="checkbox"/> <input type="checkbox"/> <input type="checkbox"/> <input type="checkbox"/>	<input type="checkbox"/> <input type="checkbox"/>	<input type="checkbox"/> <input type="checkbox"/>		19.0#	334										
Two-Tone, Upholstered Seat	DN1B00	NFR		<input type="checkbox"/> <input type="checkbox"/> <input type="checkbox"/> <input type="checkbox"/>	<input type="checkbox"/> <input type="checkbox"/>	<input type="checkbox"/> <input type="checkbox"/>	<input type="checkbox"/> <input type="checkbox"/> <input type="checkbox"/> <input type="checkbox"/>	21.5#	N/A	448	457	472	448	472	482	520	535	554	582



DN11
DN12
DN13
DN1A
DN1B

- Four-Leg Armless Chair**
- Solid or two-tone colored shell
 - Unlimited custom color matching
 - 17 degrees of hip articulation
 - Task and guest chair models available
 - 400 pound approved
 - Stacking

A **B** **C** **D** **E** **F** **G**

HOW TO ORDER

- Indicate the following information on order form:
- Quantity of each item.
 - Model number, including options. See "How To Build a Model Number".
 - Any special service required.

Note:

- The indicates that a choice is required.
- The absence of the indicates that no choice is required.
- Alpha-numeric characters in place of indicate that no other alternatives are available.

HOW TO BUILD A MODEL NUMBER

- A** Select basic model.
- B** Select fire code.
 - NFR** - Compliance to TB 117-2013
 - FR** - Compliance to TB 133
 - See Upholstery Information for TB133 upcharge.
- C** Select solid poly color. Refer to the **Product Color Options** page in this price list.
- D** Select outside/inside poly color. Refer to the **Product Color Options** page in this price list.
- E** Select frame color. Refer to the **Product Color Options** page in this price list.
- F** Select glide option.
 - GFT** - Felt glides
 - GPL** - Plastic glides
 - GSL** - Steel glides
- G** Select upholstery grade/color. Refer to ki.com/fabrics

UPHOLSTERY INFORMATION

C.O.M. Upholstery
C.O.M. requirement for 10 chairs or less with upholstered seat or upholstered seat and back is 3/4 yard per chair of 54" wide nondirectional fabric. For orders of 11 or more with upholstered seat and back and for complete information on ordering C.O.M. see "Ordering C.O.M., C.O.V. and C.O.L." section.

California TB133 Fire Safety Code
For California Technical Bulletin 133 compliant models, add the following upcharge.

Model=Solid Color, Polypropylene
Added List Price=\$10
Model=Solid Color, Upholstered Seat
Added List Price=\$68
Model=Solid Color, Upholstered Seat/Back
Added List Price=\$97

SPECIAL SERVICES

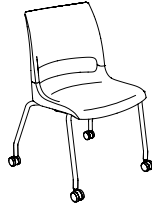
Special Carton Marking
With specially marked information N/C

Shipping
Ships **assembled, FOB Green Bay, WI 54302, freight prepaid.** Freight class 125.

Specifications and prices are subject to change without prior notice.



Features	MODEL NUMBER							Approx. Packaged Weight	Delivered Pricing Unupholstered	Delivered Pricing Fabric Grade 1 & C.O.M.	Delivered Pricing Fabric Grade 2	Delivered Pricing Fabric Grade 3	Delivered Pricing C.O.V.	Delivered Pricing Vinyl Group 2V	Delivered Pricing Pallas Fabric Group P0	Delivered Pricing Pallas Fabric Group P1	Delivered Pricing Pallas Fabric Group P2	Delivered Pricing Pallas Fabric Group P3	Delivered Pricing Pallas Fabric Group P4
	Basic Model	Fire Code	Poly Solid Color	Poly Outside/Inside Color	Frame Color	Caster Type	Upholstery Color												
Solid Color, Polypropylene	DN2100	<input type="checkbox"/> <input type="checkbox"/> <input type="checkbox"/> <input type="checkbox"/>	<input type="checkbox"/> <input type="checkbox"/> <input type="checkbox"/> <input type="checkbox"/>		<input type="checkbox"/> <input type="checkbox"/>	<input type="checkbox"/> <input type="checkbox"/>		19.5#	\$ 317										
Solid Color, Upholstered Seat	DN2200	<input type="checkbox"/> <input type="checkbox"/> <input type="checkbox"/> <input type="checkbox"/>	<input type="checkbox"/> <input type="checkbox"/> <input type="checkbox"/> <input type="checkbox"/>		<input type="checkbox"/> <input type="checkbox"/>	<input type="checkbox"/> <input type="checkbox"/>	<input type="checkbox"/> <input type="checkbox"/> <input type="checkbox"/> <input type="checkbox"/>	22.0#	N/A	432	440	457	432	457	465	503	519	539	566
Solid Color, Upholstered Seat/Back	DN2300	<input type="checkbox"/> <input type="checkbox"/> <input type="checkbox"/> <input type="checkbox"/>	<input type="checkbox"/> <input type="checkbox"/> <input type="checkbox"/> <input type="checkbox"/>		<input type="checkbox"/> <input type="checkbox"/>	<input type="checkbox"/> <input type="checkbox"/>	<input type="checkbox"/> <input type="checkbox"/> <input type="checkbox"/> <input type="checkbox"/>	23.5#	N/A	459	467	484	459	484	492	530	546	565	593
Two-Tone, Polypropylene	DN2A00	NFR		<input type="checkbox"/> <input type="checkbox"/> <input type="checkbox"/> <input type="checkbox"/>	<input type="checkbox"/> <input type="checkbox"/>	<input type="checkbox"/> <input type="checkbox"/>		19.5#	371										
Two-Tone, Upholstered Seat	DN2B00	NFR		<input type="checkbox"/> <input type="checkbox"/> <input type="checkbox"/> <input type="checkbox"/>	<input type="checkbox"/> <input type="checkbox"/>	<input type="checkbox"/> <input type="checkbox"/>	<input type="checkbox"/> <input type="checkbox"/> <input type="checkbox"/> <input type="checkbox"/>	22.0#	N/A	486	494	511	486	511	519	557	573	592	620



- DN21
 - DN22
 - DN23
 - DN2A
 - DN2B
- Four-Leg Armless Chair with Casters**
- Solid or two-tone colored shell
 - Unlimited custom color matching
 - 17 degrees of hip articulation
 - Task and guest chair models available
 - 400 pound approved
 - Stacking. Caution should be exercised to prevent casters from marring components such as frames, fabric, etc., and to prevent casters from becoming "hung up" underneath the seat of the chair

HOW TO ORDER

Indicate the following information on order form:

- Quantity of each item.
- Model number, including options. See "How To Build a Model Number".
- Any special service required.

Note:

- The indicates that a choice is required.
- The absence of the indicates that no choice is required.
- Alpha-numeric characters in place of indicate that no other alternatives are available.

HOW TO BUILD A MODEL NUMBER

A Select basic model.

B Select fire code.
NFR - Compliance to TB 117-2013
FR - Compliance to TB 133
 See Upholstery Information for TB133 upcharge.

C Select solid poly color.
 Refer to the **Product Color Options** page in this price list.

D Select outside/inside poly color.
 Refer to the **Product Color Options** page in this price list.

E Select frame color.
 Refer to the **Product Color Options** page in this price list.

F Select casters.
CHC - Hard floor casters
CCC - Carpet casters

G Select upholstery grade/color.
 Refer to ki.com/fabrics

UPHOLSTERY INFORMATION

C.O.M. Upholstery
 C.O.M. requirement for 10 chairs or less with upholstered seat or upholstered seat and back is 3/4 yard per chair of 54" wide nondirectional fabric. For orders of 11 or more with upholstered seat and back and for complete information on ordering C.O.M. see "Ordering C.O.M., C.O.V. and C.O.L." section.

California TB133 Fire Safety Code
 For California Technical Bulletin 133 compliant models, add the following upcharge.

Model=Solid Color, Polypropylene
 Added List Price=\$10
 Model=Solid Color, Upholstered Seat
 Added List Price=\$68
 Model=Solid Color, Upholstered Seat/Back
 Added List Price=\$97

SPECIAL SERVICES

Special Carton Marking
 With specially marked information N/C

Shipping
 Ships **assembled, FOB Green Bay, WI 54302, freight prepaid.** Freight class 125.

Specifications and prices are subject to change without prior notice.



Features	MODEL NUMBER							Approx. Packaged Weight	Delivered Pricing Unupholstered	Delivered Pricing Fabric Grade 1 & C.O.M.	Delivered Pricing Fabric Grade 2	Delivered Pricing Fabric Grade 3	Delivered Pricing C.O.V.	Delivered Pricing Vinyl Group 2V	Delivered Pricing Pallas Fabric Group P0	Delivered Pricing Pallas Fabric Group P1	Delivered Pricing Pallas Fabric Group P2	Delivered Pricing Pallas Fabric Group P3	Delivered Pricing Pallas Fabric Group P4
	Basic Model	Fire Code	Poly Solid Color	Poly Outside/Inside Color	Frame Color	Glide Option	Upholstery Color												
Solid Color, Polypropylene	DN1111	□□□	□□□		□□	□□□		20.5#	\$ 338										
Solid Color, Upholstered Seat	DN1211	□□□	□□□		□□	□□□	□□□□□	23.0#	N/A	452	461	477	452	477	486	524	540	558	587
Solid Color, Upholstered Seat/Back	DN1311	□□□	□□□		□□	□□□	□□□□□	24.5#	N/A	479	488	503	479	503	513	551	566	586	614
Two-Tone, Polypropylene	DN1A11	NFR		□□□□□	□□	□□□		20.5#	392										
Two-Tone, Upholstered Seat	DN1B11	NFR		□□□□□	□□	□□□	□□□□□	23.0#	N/A	505	515	530	505	530	540	578	593	613	641



DN11
DN12
DN13
DN1A
DN1B

Four-Leg Arm Chair

- Solid or two-tone colored shell
- Unlimited custom color matching
- 17 degrees of hip articulation
- Task and guest chair models available
- 400 pound approved
- Stacking

A B C D E F G

HOW TO ORDER

- Indicate the following information on order form:
1. Quantity of each item.
 2. Model number, including options. See "How To Build a Model Number".
 3. Any special service required.

Note: • The indicates that a choice is required.
• The absence of the indicates that no choice is required.
• Alpha-numeric characters in place of indicate that no other alternatives are available.

HOW TO BUILD A MODEL NUMBER

A Select basic model.

B Select fire code.
NFR - Compliance to TB 117-2013
FR - Compliance to TB 133
See Upholstery Information for TB133 upcharge.

C Select solid poly color.
Refer to the **Product Color Options** page in this price list.

D Select outside/inside poly color.
Refer to the **Product Color Options** page in this price list.

E Select frame color.
Refer to the **Product Color Options** page in this price list.

F Select glide option.
GFT - Felt glides
GPL - Plastic glides
GSL - Steel glides

G Select upholstery grade/color.
Refer to ki.com/fabrics

UPHOLSTERY INFORMATION

C.O.M. Upholstery
C.O.M. requirement for 10 chairs or less with upholstered seat or upholstered seat and back is 3/4 yard per chair of 54" wide nondirectional fabric. For orders of 11 or more with upholstered seat and back and for complete information on ordering C.O.M. see "Ordering C.O.M., C.O.V. and C.O.L." section.

California TB133 Fire Safety Code
For California Technical Bulletin 133 compliant models, add the following upcharge.

Model=Solid Color, Polypropylene
Added List Price=\$10
Model=Solid Color, Upholstered Seat
Added List Price=\$68
Model=Solid Color, Upholstered Seat/Back
Added List Price=\$97

SPECIAL SERVICES

Special Carton Marking

With specially marked information N/C

Shipping
Ships **assembled, FOB Green Bay, WI 54302, freight prepaid.** Freight class 125.

Specifications and prices are subject to change without prior notice.



Features	MODEL NUMBER							Approx. Packaged Weight	Delivered Pricing Unupholstered	Delivered Pricing Fabric Grade 1 & C.O.M.	Delivered Pricing Fabric Grade 2	Delivered Pricing Fabric Grade 3	Delivered Pricing C.O.V.	Delivered Pricing Vinyl Group 2V	Delivered Pricing Pallas Fabric Group P0	Delivered Pricing Pallas Fabric Group P1	Delivered Pricing Pallas Fabric Group P2	Delivered Pricing Pallas Fabric Group P3	Delivered Pricing Pallas Fabric Group P4
	Basic Model	Fire Code	Poly Solid Color	Poly Outside/Inside Color	Frame Color	Caster Type	Upholstery Color												
Solid Color, Polypropylene	DN2111	<input type="checkbox"/> <input type="checkbox"/> <input type="checkbox"/> <input type="checkbox"/>	<input type="checkbox"/> <input type="checkbox"/> <input type="checkbox"/> <input type="checkbox"/>		<input type="checkbox"/> <input type="checkbox"/>	<input type="checkbox"/> <input type="checkbox"/>		21.0#	\$ 375										
Solid Color, Upholstered Seat	DN2211	<input type="checkbox"/> <input type="checkbox"/> <input type="checkbox"/> <input type="checkbox"/>	<input type="checkbox"/> <input type="checkbox"/> <input type="checkbox"/> <input type="checkbox"/>		<input type="checkbox"/> <input type="checkbox"/>	<input type="checkbox"/> <input type="checkbox"/>	<input type="checkbox"/> <input type="checkbox"/> <input type="checkbox"/> <input type="checkbox"/> <input type="checkbox"/> <input type="checkbox"/>	23.5#	N/A	490	498	515	490	515	523	562	577	596	624
Solid Color, Upholstered Seat/Back	DN2311	<input type="checkbox"/> <input type="checkbox"/> <input type="checkbox"/> <input type="checkbox"/>	<input type="checkbox"/> <input type="checkbox"/> <input type="checkbox"/> <input type="checkbox"/>		<input type="checkbox"/> <input type="checkbox"/>	<input type="checkbox"/> <input type="checkbox"/>	<input type="checkbox"/> <input type="checkbox"/> <input type="checkbox"/> <input type="checkbox"/> <input type="checkbox"/> <input type="checkbox"/>	25.0#	N/A	517	525	542	517	542	550	589	604	623	651
Two-Tone, Polypropylene	DN2A11	NFR		<input type="checkbox"/> <input type="checkbox"/> <input type="checkbox"/> <input type="checkbox"/> <input type="checkbox"/> <input type="checkbox"/>	<input type="checkbox"/> <input type="checkbox"/>	<input type="checkbox"/> <input type="checkbox"/>		21.0#	430										
Two-Tone, Upholstered Seat	DN2B11	NFR		<input type="checkbox"/> <input type="checkbox"/> <input type="checkbox"/> <input type="checkbox"/> <input type="checkbox"/> <input type="checkbox"/>	<input type="checkbox"/> <input type="checkbox"/>	<input type="checkbox"/> <input type="checkbox"/>	<input type="checkbox"/> <input type="checkbox"/> <input type="checkbox"/> <input type="checkbox"/> <input type="checkbox"/> <input type="checkbox"/>	23.5#	N/A	544	552	568	544	568	577	616	631	650	678



DN21
DN22
DN23
DN2A
DN2B

- Four-Leg Arm Chair with Casters**
- Solid or two-tone colored shell
 - Unlimited custom color matching
 - 17 degrees of hip articulation
 - Task and guest chair models available
 - 400 pound approved
 - Stacking. Caution should be exercised to prevent casters from marring components such as frames, fabric, etc., and to prevent casters from becoming "hung up" underneath the seat of the chair

A **B** **C** **D** **E** **F** **G**

HOW TO ORDER

Indicate the following information on order form:

1. Quantity of each item.
2. Model number, including options. See "How To Build a Model Number".
3. Any special service required.

Note:

- The indicates that a choice is required.
- The absence of the indicates that no choice is required.
- Alpha-numeric characters in place of indicate that no other alternatives are available.

HOW TO BUILD A MODEL NUMBER

ASelect basic model.

BSelect fire code.
NFR - Compliance to TB 117-2013
FR - Compliance to TB 133
 See Upholstery Information for TB133 upcharge.

CSelect solid poly color.
 Refer to the **Product Color Options** page in this price list.

DSelect outside/inside poly color.
 Refer to the **Product Color Options** page in this price list.

ESelect frame color.
 Refer to the **Product Color Options** page in this price list.

FSelect casters.
CHC - Hard floor casters
CCC - Carpet casters

GSelect upholstery grade/color.
 Refer to ki.com/fabrics

UPHOLSTERY INFORMATION

C.O.M. Upholstery
 C.O.M. requirement for 10 chairs or less with upholstered seat or upholstered seat and back is 3/4 yard per chair of 54" wide nondirectional fabric. For orders of 11 or more with upholstered seat and back and for complete information on ordering C.O.M. see "Ordering C.O.M., C.O.V. and C.O.L." section.

California TB133 Fire Safety Code
 For California Technical Bulletin 133 compliant models, add the following upcharge.

Model=Solid Color, Polypropylene
 Added List Price=\$10
 Model=Solid Color, Upholstered Seat
 Added List Price=\$68
 Model=Solid Color, Upholstered Seat/Back
 Added List Price=\$97

SPECIAL SERVICES

Special Carton Marking
 With specially marked information N/C

Shipping
 Ships **assembled, FOB Green Bay, WI 54302, freight prepaid.** Freight class 125.

Specifications and prices are subject to change without prior notice.



Features	MODEL NUMBER							Approx. Packaged Weight	Delivered Pricing Unupholstered	Delivered Pricing Fabric Grade 1 & C.O.M.	Delivered Pricing Fabric Grade 2	Delivered Pricing Fabric Grade 3	Delivered Pricing C.O.V.	Delivered Pricing Vinyl Group 2V	Delivered Pricing Pallas Fabric Group P0	Delivered Pricing Pallas Fabric Group P1	Delivered Pricing Pallas Fabric Group P2	Delivered Pricing Pallas Fabric Group P3	Delivered Pricing Pallas Fabric Group P4
	Basic Model	Fire Code	Poly Solid Color	Poly Outside/Inside Color	Frame Color	Glide Option	Upholstery Color												
Solid Color, Polypropylene	DNH100	<input type="checkbox"/> <input type="checkbox"/>	<input type="checkbox"/> <input type="checkbox"/>		<input type="checkbox"/>	<input type="checkbox"/> <input type="checkbox"/>		19.0#	\$ 334										
Solid Color, Upholstered Seat	DNH200	<input type="checkbox"/> <input type="checkbox"/>	<input type="checkbox"/> <input type="checkbox"/>		<input type="checkbox"/>	<input type="checkbox"/> <input type="checkbox"/>	<input type="checkbox"/> <input type="checkbox"/> <input type="checkbox"/> <input type="checkbox"/>	21.5#	N/A	448	457	472	448	472	482	520	535	554	582
Solid Color, Upholstered Seat/Back	DNH300	<input type="checkbox"/> <input type="checkbox"/>	<input type="checkbox"/> <input type="checkbox"/>		<input type="checkbox"/>	<input type="checkbox"/> <input type="checkbox"/>	<input type="checkbox"/> <input type="checkbox"/> <input type="checkbox"/> <input type="checkbox"/>	23.0#	N/A	474	484	499	474	499	509	547	562	581	609
Two-Tone, Polypropylene	DNHA00	NFR		<input type="checkbox"/> <input type="checkbox"/> <input type="checkbox"/> <input type="checkbox"/>	<input type="checkbox"/>	<input type="checkbox"/> <input type="checkbox"/>		19.0#	388										
Two-Tone, Upholstered Seat	DNHB00	NFR		<input type="checkbox"/> <input type="checkbox"/> <input type="checkbox"/> <input type="checkbox"/>	<input type="checkbox"/>	<input type="checkbox"/> <input type="checkbox"/>	<input type="checkbox"/> <input type="checkbox"/> <input type="checkbox"/> <input type="checkbox"/>	21.5#	N/A	501	511	526	501	526	535	574	589	608	636



DNH1
DNH2
DNH3
DNHA
DNHB

- Four-Leg Armless Ganging Chair**
- Solid or two-tone colored shell
 - Unlimited custom color matching
 - 17 degrees of hip articulation
 - Task and guest chair models available
 - 400 pound approved
 - Stacking

A **B** **C** **D** **E** **F** **G**

HOW TO ORDER

Indicate the following information on order form:

- Quantity of each item.
- Model number, including options. See "How To Build a Model Number".
- Any special service required.

Note:

- The indicates that a choice is required.
- The absence of the indicates that no choice is required.
- Alpha-numeric characters in place of indicate that no other alternatives are available.

HOW TO BUILD A MODEL NUMBER

- A** Select basic model.
- B** Select fire code.
 - NFR** - Compliance to TB 117-2013
 - FR** - Compliance to TB 133
 - See Upholstery Information for TB133 upcharge.
- C** Select solid poly color. Refer to the **Product Color Options** page in tt price list.
- D** Select outside/inside poly color. Refer to the **Product Color Options** page in tt price list.
- E** Select frame color. Refer to the **Product Color Options** page in tt price list.
- F** Select glide option.
 - GFT** - Felt glides
 - GPL** - Plastic glides
 - GSL** - Steel glides
- G** Select upholstery grade/color. Refer to ki.com/fabrics

UPHOLSTERY INFORMATION

C.O.M. Upholstery
C.O.M. requirement for 10 chairs or less with upholstered seat or upholstered seat and back is 3/4 yard per chair of 54" wide nondirectional fabric. For orders of 11 or more with upholstered seat and back and for complete information on ordering C.O.M. see "Ordering C.O.M., C.O.V. and C.O.L." section.

California TB133 Fire Safety Code
For California Technical Bulletin 133 compliant models, add the following upcharge.

Model=Solid Color, Polypropylene
Added List Price=\$10
Model=Solid Color, Upholstered Seat
Added List Price=\$68
Model=Solid Color, Upholstered Seat/Back
Added List Price=\$97

SPECIAL SERVICES

Special Carton Marking

With specially marked information N/C

Shipping
Ships assembled, FOB Green Bay, WI 54302, freight prepaid. Freight class 125.

Specifications and prices are subject to change without prior notice.



Features	MODEL NUMBER							Approx. Packaged Weight	Delivered Pricing Unupholstered	Delivered Pricing Fabric Grade 1 & C.O.M.	Delivered Pricing Fabric Grade 2	Delivered Pricing Fabric Grade 3	Delivered Pricing C.O.V.	Delivered Pricing Vinyl Group 2V	Delivered Pricing Pallas Fabric Group P0	Delivered Pricing Pallas Fabric Group P1	Delivered Pricing Pallas Fabric Group P2	Delivered Pricing Pallas Fabric Group P3	Delivered Pricing Pallas Fabric Group P4
	Basic Model	Fire Code	Poly Solid Color	Poly Outside/Inside Color	Frame Color	Glide Option	Upholstery Color												
Solid Color, Polypropylene	DNC100	<input type="checkbox"/> <input type="checkbox"/>	<input type="checkbox"/> <input type="checkbox"/>		<input type="checkbox"/>	<input type="checkbox"/> <input type="checkbox"/>		19.0#	\$ 323										
Solid Color, Upholstered Seat	DNC200	<input type="checkbox"/> <input type="checkbox"/>	<input type="checkbox"/> <input type="checkbox"/>		<input type="checkbox"/>	<input type="checkbox"/> <input type="checkbox"/>	<input type="checkbox"/> <input type="checkbox"/> <input type="checkbox"/> <input type="checkbox"/>	21.5#	N/A	437	445	462	437	462	470	510	524	544	572
Solid Color, Upholstered Seat/Back	DNC300	<input type="checkbox"/> <input type="checkbox"/>	<input type="checkbox"/> <input type="checkbox"/>		<input type="checkbox"/>	<input type="checkbox"/> <input type="checkbox"/>	<input type="checkbox"/> <input type="checkbox"/> <input type="checkbox"/> <input type="checkbox"/>	23.0#	N/A	464	472	489	464	489	497	536	551	571	598
Two-Tone, Polypropylene	DNCA00	NFR		<input type="checkbox"/> <input type="checkbox"/> <input type="checkbox"/> <input type="checkbox"/>	<input type="checkbox"/>	<input type="checkbox"/> <input type="checkbox"/>		19.0#	376										
Two-Tone, Upholstered Seat	DNCB00	NFR		<input type="checkbox"/> <input type="checkbox"/> <input type="checkbox"/> <input type="checkbox"/>	<input type="checkbox"/>	<input type="checkbox"/> <input type="checkbox"/>	<input type="checkbox"/> <input type="checkbox"/> <input type="checkbox"/> <input type="checkbox"/>	21.5#	N/A	491	499	516	491	516	524	563	578	597	625



- DNC1
- DNC2
- DNC3
- DNCA
- DNCB
- Four-Leg Armless Wallsaver Chair**
- Solid or two-tone colored shell
- Unlimited custom color matching
- Task and guest chair models available
- 400 pound approved
- Stacking

HOW TO ORDER

Indicate the following information on order form:

- Quantity of each item.
- Model number, including options. See "How To Build a Model Number".
- Any special service required.

Note:

- The indicates that a choice is required.
- The absence of the indicates that no choice is required.
- Alpha-numeric characters in place of indicate that no other alternatives are available.

HOW TO BUILD A MODEL NUMBER

- A** Select basic model.
- B** Select fire code.
 - NFR - Compliance to TB 117-2013
 - FR - Compliance to TB 133
 - See Upholstery Information for TB133 upcharge.
- C** Select solid poly color. Refer to the **Product Color Options** page in this price list.
- D** Select outside/inside poly color. Refer to the **Product Color Options** page in this price list.
- E** Select frame color. Refer to the **Product Color Options** page in this price list.
- F** Select glide option.
 - GFT - Felt glides
 - GPL - Plastic glides
 - GSL - Steel glides
- G** Select upholstery grade/color. Refer to ki.com/fabrics

UPHOLSTERY INFORMATION

C.O.M. Upholstery
C.O.M. requirement for 10 chairs or less with upholstered seat or upholstered seat and back is 3/4 yard per chair of 54" wide nondirectional fabric. For orders of 11 or more with upholstered seat and back and for complete information on ordering C.O.M. see "Ordering C.O.M., C.O.V. and C.O.L." section.

California TB133 Fire Safety Code
For California Technical Bulletin 133 compliant models, add the following upcharge.

Model=Solid Color, Polypropylene
Added List Price=\$10
Model=Solid Color, Upholstered Seat
Added List Price=\$68
Model=Solid Color, Upholstered Seat/Back
Added List Price=\$97

SPECIAL SERVICES

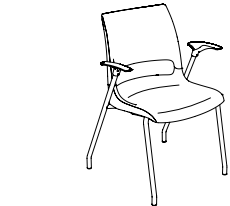
Special Carton Marking
With specially marked information N/C

Shipping
Ships **assembled, FOB Green Bay, WI 54302, freight prepaid.** Freight class 125.

Specifications and prices are subject to change without prior notice.



Features	MODEL NUMBER							Approx. Packaged Weight	Delivered Pricing Unupholstered	Delivered Pricing Fabric Grade 1 & C.O.M.	Delivered Pricing Fabric Grade 2	Delivered Pricing Fabric Grade 3	Delivered Pricing C.O.V.	Delivered Pricing Vinyl Group 2V	Delivered Pricing Pallas Fabric Group P0	Delivered Pricing Pallas Fabric Group P1	Delivered Pricing Pallas Fabric Group P2	Delivered Pricing Pallas Fabric Group P3	Delivered Pricing Pallas Fabric Group P4
	Basic Model	Fire Code	Poly Solid Color	Poly Outside/Inside Color	Frame Color	Glide Option	Upholstery Color												
Solid Color, Polypropylene	DNC111	<input type="checkbox"/> <input type="checkbox"/> <input type="checkbox"/>	<input type="checkbox"/> <input type="checkbox"/> <input type="checkbox"/>		<input type="checkbox"/> <input type="checkbox"/>	<input type="checkbox"/> <input type="checkbox"/>		20.5#	\$ 381										
Solid Color, Upholstered Seat	DNC211	<input type="checkbox"/> <input type="checkbox"/> <input type="checkbox"/>	<input type="checkbox"/> <input type="checkbox"/> <input type="checkbox"/>		<input type="checkbox"/> <input type="checkbox"/>	<input type="checkbox"/> <input type="checkbox"/>	<input type="checkbox"/> <input type="checkbox"/> <input type="checkbox"/> <input type="checkbox"/> <input type="checkbox"/>	23.0#	N/A	495	503	520	495	520	528	567	582	602	629
Solid Color, Upholstered Seat/Back	DNC311	<input type="checkbox"/> <input type="checkbox"/> <input type="checkbox"/>	<input type="checkbox"/> <input type="checkbox"/> <input type="checkbox"/>		<input type="checkbox"/> <input type="checkbox"/>	<input type="checkbox"/> <input type="checkbox"/>	<input type="checkbox"/> <input type="checkbox"/> <input type="checkbox"/> <input type="checkbox"/> <input type="checkbox"/>	24.5#	N/A	522	530	547	522	547	555	594	609	628	656
Two-Tone, Polypropylene	DNCA11	NFR		<input type="checkbox"/> <input type="checkbox"/> <input type="checkbox"/> <input type="checkbox"/> <input type="checkbox"/>	<input type="checkbox"/> <input type="checkbox"/>	<input type="checkbox"/> <input type="checkbox"/>		20.5#	435										
Two-Tone, Upholstered Seat	DNCB11	NFR		<input type="checkbox"/> <input type="checkbox"/> <input type="checkbox"/> <input type="checkbox"/> <input type="checkbox"/>	<input type="checkbox"/> <input type="checkbox"/>	<input type="checkbox"/> <input type="checkbox"/>	<input type="checkbox"/> <input type="checkbox"/> <input type="checkbox"/> <input type="checkbox"/> <input type="checkbox"/>	23.0#	N/A	549	557	574	549	574	582	621	636	655	683



- DNC1
DNC2
DNC3
DNCA
DNCB
- Four-Leg Wallsaver Arm Chair**
- Solid or two-tone colored shell
 - Unlimited custom color matching
 - Task and guest chair models available
 - 400 pound approved
 - Stacking

A **B** **C** **D** **E** **F** **G**

HOW TO ORDER

- Indicate the following information on order form:
1. Quantity of each item.
 2. Model number, including options. See "How To Build a Model Number".
 3. Any special service required.

Note:

- The indicates that a choice is required.
- The absence of the indicates that no choice is required.
- Alpha-numeric characters in place of indicate that no other alternatives are available.

HOW TO BUILD A MODEL NUMBER

- A** Select basic model.
- B** Select fire code.

NFR	- Compliance to TB 117-2013
FR	- Compliance to TB 133

 See Upholstery Information for TB133 upcharge.
- C** Select solid poly color.
Refer to the **Product Color Options** page in this price list.
- D** Select outside/inside poly color.
Refer to the **Product Color Options** page in this price list.
- E** Select frame color.
Refer to the **Product Color Options** page in this price list.
- F** Select glide option.

GFT	- Felt glides
GPL	- Plastic glides
GSL	- Steel glides
- G** Select upholstery grade/color.
Refer to ki.com/fabrics

UPHOLSTERY INFORMATION

C.O.M. Upholstery
C.O.M. requirement for 10 chairs or less with upholstered seat or upholstered seat and back is 3/4 yard per chair of 54" wide nondirectional fabric. For orders of 11 or more with upholstered seat and back and for complete information on ordering C.O.M. see "Ordering C.O.M., C.O.V. and C.O.L." section.

California TB133 Fire Safety Code
For California Technical Bulletin 133 compliant models, add the following upcharge.

- Model=Solid Color, Polypropylene
Added List Price=\$10
- Model=Solid Color, Upholstered Seat
Added List Price=\$68
- Model=Solid Color, Upholstered Seat/Back
Added List Price=\$97

SPECIAL SERVICES

Special Carton Marking
With specially marked information N/C

Shipping
Ships assembled, FOB Green Bay, WI 54302, freight prepaid. Freight class 125.

Specifications and prices are subject to change without prior notice.



Features	MODEL NUMBER							Approx. Packaged Weight	Delivered Pricing Unupholstered	Delivered Pricing Fabric Grade 1 & C.O.M.	Delivered Pricing Fabric Grade 2	Delivered Pricing Fabric Grade 3	Delivered Pricing C.O.V.	Delivered Pricing Vinyl Group 2V	Delivered Pricing Pallas Fabric Group P0	Delivered Pricing Pallas Fabric Group P1	Delivered Pricing Pallas Fabric Group P2	Delivered Pricing Pallas Fabric Group P3	Delivered Pricing Pallas Fabric Group P4
	Basic Model	Fire Code	Poly Solid Color	Poly Outside/Inside Color	Frame Color	Glide Option	Upholstery Color												
Solid Color, Polypropylene	DN3100	□□□	□□□		□□	□□□		20.0#	\$ 290										
Solid Color, Upholstered Seat	DN3200	□□□	□□□		□□	□□□	□□□□□	22.5#	N/A	405	413	430	405	430	438	477	492	512	540
Solid Color, Upholstered Seat/Back	DN3300	□□□	□□□		□□	□□□	□□□□□	24.0#	N/A	432	440	457	432	457	465	503	519	539	566
Two-Tone, Polypropylene	DN3A00	NFR		□□□□□□	□□	□□□		20.0#	344										
Two-Tone, Upholstered Seat	DN3B00	NFR		□□□□□□	□□	□□□	□□□□□	22.5#	N/A	459	467	484	459	484	492	530	546	565	593



DN31
DN32
DN33
DN3A
DN3B

- Sled Base Armless Chair**
- Solid or two-tone colored shell
 - Unlimited custom color matching
 - 17 degrees of hip articulation
 - Task and guest chair models available
 - 400 pound approved
 - Stacking

A **B** **C** **D** **E** **F** **G**

HOW TO ORDER

Indicate the following information on order form:
 1. Quantity of each item.
 2. Model number, including options. See "How To Build a Model Number".
 3. Any special service required.

Note: • The □ indicates that a choice is required.
 • The absence of the □ indicates that no choice is required.
 • Alpha-numeric characters in place of □ indicate that no other alternatives are available.

HOW TO BUILD A MODEL NUMBER

- A** Select basic model.
- B** Select fire code.
 NFR - Compliance to TB 117-2013
 FR - Compliance to TB 133
 See Upholstery Information for TB133 upcharge.
- C** Select solid poly color.
 Refer to the **Product Color Options** page in this price list.
- D** Select outside/inside poly color.
 Refer to the **Product Color Options** page in this price list.
- E** Select frame color.
 Refer to the **Product Color Options** page in this price list.

- F** Select glide option.
 GNG - No glides
 GNS - Non-skid glides
 GPL - Plastic glides
 GSL - Steel glides

G Select upholstery grade/color.
 Refer to ki.com/fabrics

UPHOLSTERY INFORMATION

C.O.M. Upholstery
 C.O.M. requirement for 10 chairs or less with upholstered seat or upholstered seat and back is 3/4 yard per chair of 54" wide nondirectional fabric. For orders of 11 or more with upholstered seat and back and for complete information on ordering C.O.M. see "Ordering C.O.M., C.O.V. and C.O.L." section.

California TB133 Fire Safety Code
 For California Technical Bulletin 133 compliant models, add the following upcharge.
 Model=Solid Color, Polypropylene
 Added List Price=\$10
 Model=Solid Color, Upholstered Seat
 Added List Price=\$68
 Model=Solid Color, Upholstered Seat/Back
 Added List Price=\$97

SPECIAL SERVICES

Special Carton Marking
 With specially marked information N/C

Shipping
 Ships assembled, FOB Green Bay, WI 54302, freight prepaid. Freight class 125.

Specifications and prices are subject to change without prior notice.



Features	MODEL NUMBER								Approx. Packaged Weight	Delivered Pricing Unupholstered	Delivered Pricing Fabric Grade 1 & C.O.M.	Delivered Pricing Fabric Grade 2	Delivered Pricing Fabric Grade 3	Delivered Pricing C.O.V.	Delivered Pricing Vinyl Group 2V	Delivered Pricing Pallas Fabric Group P0	Delivered Pricing Pallas Fabric Group P1	Delivered Pricing Pallas Fabric Group P2	Delivered Pricing Pallas Fabric Group P3
	Basic Model	Fire Code	Poly Solid Color	Poly Outside/Inside Color	Frame Color	Glide Option	Tablet Arm Color	Upholstery Color											
Solid Color, Polypropylene, Left Hand	DN119L	<input type="checkbox"/> <input type="checkbox"/> <input type="checkbox"/>	<input type="checkbox"/> <input type="checkbox"/> <input type="checkbox"/>		<input type="checkbox"/> <input type="checkbox"/> <input type="checkbox"/>	<input type="checkbox"/> <input type="checkbox"/> <input type="checkbox"/>	<input type="checkbox"/> <input type="checkbox"/> <input type="checkbox"/>		29.0#	\$ 660									
Solid Color, Polypropylene, Right Hand	DN119R	<input type="checkbox"/> <input type="checkbox"/> <input type="checkbox"/>	<input type="checkbox"/> <input type="checkbox"/> <input type="checkbox"/>		<input type="checkbox"/> <input type="checkbox"/> <input type="checkbox"/>	<input type="checkbox"/> <input type="checkbox"/> <input type="checkbox"/>	<input type="checkbox"/> <input type="checkbox"/> <input type="checkbox"/>		40.5#	660									
Solid Color, Upholstered Seat, Left Hand	DN129L	<input type="checkbox"/> <input type="checkbox"/> <input type="checkbox"/>	<input type="checkbox"/> <input type="checkbox"/> <input type="checkbox"/>		<input type="checkbox"/> <input type="checkbox"/> <input type="checkbox"/>	<input type="checkbox"/> <input type="checkbox"/> <input type="checkbox"/>	<input type="checkbox"/> <input type="checkbox"/> <input type="checkbox"/>	<input type="checkbox"/> <input type="checkbox"/> <input type="checkbox"/> <input type="checkbox"/> <input type="checkbox"/> <input type="checkbox"/>	43.5#	N/A	774	782	799	774	799	807	846	862	880
Solid Color, Upholstered Seat, Right Hand	DN129R	<input type="checkbox"/> <input type="checkbox"/> <input type="checkbox"/>	<input type="checkbox"/> <input type="checkbox"/> <input type="checkbox"/>		<input type="checkbox"/> <input type="checkbox"/> <input type="checkbox"/>	<input type="checkbox"/> <input type="checkbox"/> <input type="checkbox"/>	<input type="checkbox"/> <input type="checkbox"/> <input type="checkbox"/>	<input type="checkbox"/> <input type="checkbox"/> <input type="checkbox"/> <input type="checkbox"/> <input type="checkbox"/> <input type="checkbox"/>	43.5#	N/A	774	782	799	774	799	807	846	862	880
Solid Color, Upholstered Seat/Back, Left Hand	DN139L	<input type="checkbox"/> <input type="checkbox"/> <input type="checkbox"/>	<input type="checkbox"/> <input type="checkbox"/> <input type="checkbox"/>		<input type="checkbox"/> <input type="checkbox"/> <input type="checkbox"/>	<input type="checkbox"/> <input type="checkbox"/> <input type="checkbox"/>	<input type="checkbox"/> <input type="checkbox"/> <input type="checkbox"/>	<input type="checkbox"/> <input type="checkbox"/> <input type="checkbox"/> <input type="checkbox"/> <input type="checkbox"/> <input type="checkbox"/>	45.5#	N/A	801	810	825	801	825	834	873	889	907
Solid Color, Upholstered Seat/Back, Right Hand	DN139R	<input type="checkbox"/> <input type="checkbox"/> <input type="checkbox"/>	<input type="checkbox"/> <input type="checkbox"/> <input type="checkbox"/>		<input type="checkbox"/> <input type="checkbox"/> <input type="checkbox"/>	<input type="checkbox"/> <input type="checkbox"/> <input type="checkbox"/>	<input type="checkbox"/> <input type="checkbox"/> <input type="checkbox"/>	<input type="checkbox"/> <input type="checkbox"/> <input type="checkbox"/> <input type="checkbox"/> <input type="checkbox"/> <input type="checkbox"/>	45.5#	N/A	801	810	825	801	825	834	873	889	907
Two-Tone, Polypropylene, Left Hand	DN1A9L	NFR		<input type="checkbox"/> <input type="checkbox"/> <input type="checkbox"/> <input type="checkbox"/> <input type="checkbox"/> <input type="checkbox"/>	<input type="checkbox"/> <input type="checkbox"/> <input type="checkbox"/>	<input type="checkbox"/> <input type="checkbox"/> <input type="checkbox"/>	<input type="checkbox"/> <input type="checkbox"/> <input type="checkbox"/>		40.5#	714									
Two-Tone, Polypropylene, Right Hand	DN1A9R	NFR		<input type="checkbox"/> <input type="checkbox"/> <input type="checkbox"/> <input type="checkbox"/> <input type="checkbox"/> <input type="checkbox"/>	<input type="checkbox"/> <input type="checkbox"/> <input type="checkbox"/>	<input type="checkbox"/> <input type="checkbox"/> <input type="checkbox"/>	<input type="checkbox"/> <input type="checkbox"/> <input type="checkbox"/>		41.0#	714									
Two-Tone, Upholstered Seat, Left Hand	DN1B9L	NFR		<input type="checkbox"/> <input type="checkbox"/> <input type="checkbox"/> <input type="checkbox"/> <input type="checkbox"/> <input type="checkbox"/>	<input type="checkbox"/> <input type="checkbox"/> <input type="checkbox"/>	<input type="checkbox"/> <input type="checkbox"/> <input type="checkbox"/>	<input type="checkbox"/> <input type="checkbox"/> <input type="checkbox"/>	<input type="checkbox"/> <input type="checkbox"/> <input type="checkbox"/> <input type="checkbox"/> <input type="checkbox"/> <input type="checkbox"/>	43.5#	N/A	828	837	852	828	852	862	900	915	934
Two-Tone, Upholstered Seat, Right Hand	DN1B9R	NFR		<input type="checkbox"/> <input type="checkbox"/> <input type="checkbox"/> <input type="checkbox"/> <input type="checkbox"/> <input type="checkbox"/>	<input type="checkbox"/> <input type="checkbox"/> <input type="checkbox"/>	<input type="checkbox"/> <input type="checkbox"/> <input type="checkbox"/>	<input type="checkbox"/> <input type="checkbox"/> <input type="checkbox"/>	<input type="checkbox"/> <input type="checkbox"/> <input type="checkbox"/> <input type="checkbox"/> <input type="checkbox"/> <input type="checkbox"/>	43.5#	N/A	828	837	852	828	852	862	900	915	934
Four-Leg ChangeUp Tablet Arm Chair with Glides																			



- DN11
- DN12
- DN13
- DN1A
- DN1B

Four-Leg ChangeUp Tablet Arm Chair with Glides

- Solid or two-tone colored shell
- 17 degrees of hip articulation
- Large work surface (21"W x 13.3"D)
- Work surface flips and folds
- Work surface has 20 degrees of ingress/egress movement
- Work surface rated to 250 pounds
- Chair rated to 400 pounds

A B C D E F G H

HOW TO ORDER

- Indicate the following information on order form:
- Quantity of each item.
 - Model number, including options. See "How To Build a Model Number".
 - Any special service required.

Note: • The indicates that a choice is required.
 • The absence of the indicates that no choice is required.
 • Alpha-numeric characters in place of indicate that no other alternatives are available.

HOW TO BUILD A MODEL NUMBER

- A** Select basic model.
- B** Select fire code.
 NFR - Compliance to TB 117-2013
 FR - Compliance to TB 133
 See Upholstery Information for TB133 upcharge.
- C** Select solid poly color. Refer to the **Product Color Options** page in this price list.
- D** Select outside/inside poly color. Refer to the **Product Color Options** page in this price list.
- E** Select frame color. Refer to the **Product Color Options** page in this price list.
- F** Select glide option.
 GFT - Felt glides
 GPL - Plastic glides
 GSL - Steel glides
- G** Select tablet arm color. Refer to the **Product Color Options** page in this price list.
- H** Select upholstery grade/color. Refer to ki.com/fabrics

UPHOLSTERY INFORMATION

C.O.M. Upholstery
 C.O.M. requirement for 10 chairs or less with upholstered seat or upholstered seat and back is 3/4 yard per chair of 54" wide nondirectional fabric. For orders of 11 or more with upholstered seat and back and for complete information on ordering C.O.M. see "Ordering C.O.M., C.O.V. and C.O.L." section.

California TB133 Fire Safety Code
 For California Technical Bulletin 133 compliant models, add the following upcharge.

- Model=Solid Color, Polypropylene
 Added List Price=\$10
- Model=Solid Color, Upholstered Seat
 Added List Price=\$68
- Model=Solid Color, Upholstered Seat/Back
 Added List Price=\$97

SPECIAL SERVICES

Special Carton Marking
 With specially marked information N/C

Shipping
 Ships **assembled, FOB Green Bay, WI 54302, freight prepaid.** Freight class 125.

Specifications and prices are subject to change without prior notice.



Features	MODEL NUMBER								Approx. Packaged Weight	Delivered Pricing Unupholstered	Delivered Pricing Fabric Grade 1 & C.O.M.	Delivered Pricing Fabric Grade 2	Delivered Pricing Fabric Grade 3	Delivered Pricing C.O.V.	Delivered Pricing Vinyl Group 2V	Delivered Pricing Pallas Fabric Group P0	Delivered Pricing Pallas Fabric Group P1	Delivered Pricing Pallas Fabric Group P2	Delivered Pricing Pallas Fabric Group P3
	Basic Model	Fire Code	Poly Solid Color	Poly Outside/Inside Color	Frame Color	Caster Type	Tablet Arm Color	Upholstery Color											
Solid Color, Polypropylene, Left Hand	DN219L	□□□	□□□		□□	□□□	□□□		41.0#	\$ 697									
Solid Color, Polypropylene, Right Hand	DN219R	□□□	□□□		□□	□□□	□□□		41.0#	697									
Solid Color, Upholstered Seat, Left Hand	DN229L	□□□	□□□		□□	□□□	□□□	□□□□□	44.0#	N/A	812	820	837	812	837	845	883	899	919
Solid Color, Upholstered Seat, Right Hand	DN229R	□□□	□□□		□□	□□□	□□□	□□□□□	44.0#	N/A	812	820	837	812	837	845	883	899	919
Solid Color, Upholstered Seat/Back, Left Hand	DN239L	□□□	□□□		□□	□□□	□□□	□□□□□	46.0#	N/A	839	847	864	839	864	872	910	926	945
Solid Color, Upholstered Seat/Back, Right Hand	DN239R	□□□	□□□		□□	□□□	□□□	□□□□□	46.0#	N/A	839	847	864	839	864	872	910	926	945
Two-Tone, Polypropylene, Left Hand	DN2A9L	NFR		□□□□□□	□□	□□□	□□□		41.0#	751									
Two-Tone, Polypropylene, Right Hand	DN2A9R	NFR		□□□□□□	□□	□□□	□□□		41.0#	751									
Two-Tone, Upholstered Seat, Left Hand	DN2B9L	NFR		□□□□□□	□□	□□□	□□□	□□□□□	46.0#	N/A	866	874	891	866	891	899	937	953	972
Two-Tone, Upholstered Seat, Right Hand	DN2B9R	NFR		□□□□□□	□□	□□□	□□□	□□□□□	44.0#	N/A	866	874	891	866	891	899	937	953	972
Four-Leg ChangeUp Tablet Arm Chair with Casters																			



DN21
DN22
DN23
DN2A
DN2B

- Solid or two-tone colored shell
- 17 degrees of hip articulation
- Large work surface (21"W x 13.3"D)
- Work surface flips and folds
- Work surface has 20 degrees of ingress/egress movement
- Work surface rated to 250 pounds

A B C D E F G H

HOW TO ORDER

- Indicate the following information on order form:
- Quantity of each item.
 - Model number, including options. See "How To Build a Model Number".
 - Any special service required.

Note: • The □ indicates that a choice is required.
• The absence of the □ indicates that no choice is required.
• Alpha-numeric characters in place of □ indicate that no other alternatives are available.

HOW TO BUILD A MODEL NUMBER

- A** Select basic model.
- B** Select fire code.
NFR - Compliance to TB 117-2013
FR - Compliance to TB 133
See Upholstery Information for TB133 upcharge.
- C** Select solid poly color.
Refer to the **Product Color Options** page in this price list.
- D** Select outside/inside poly color.
Refer to the **Product Color Options** page in this price list.
- E** Select frame color.
Refer to the **Product Color Options** page in this price list.
- F** Select casters.
CHC - Hard floor casters
CCC - Carpet casters
- G** Select tablet arm color.
Refer to the **Product Color Options** page in this price list.
- H** Select upholstery grade/color.
Refer to ki.com/fabrics

UPHOLSTERY INFORMATION

C.O.M. Upholstery
C.O.M. requirement for 10 chairs or less with upholstered seat or upholstered seat and back is 3/4 yard per chair of 54" wide nondirectional fabric. For orders of 11 or more with upholstered seat and back and for complete information on ordering C.O.M. see "Ordering C.O.M., C.O.V. and C.O.L." section.

California TB133 Fire Safety Code
For California Technical Bulletin 133 compliant models, add the following upcharge.

Model=Solid Color, Polypropylene
Added List Price=\$10
Model=Solid Color, Upholstered Seat
Added List Price=\$68
Model=Solid Color, Upholstered Seat/Back
Added List Price=\$97

SPECIAL SERVICES

Special Carton Marking
With specially marked information N/C

Shipping
Ships assembled, FOB Green Bay, WI 54302, freight prepaid. Freight class 125.

Specifications and prices are subject to change without prior notice.



Features	MODEL NUMBER								Approx. Packaged Weight	Delivered Pricing Unupholstered	Delivered Pricing Fabric Grade 1 & C.O.M.	Delivered Pricing Fabric Grade 2	Delivered Pricing Fabric Grade 3	Delivered Pricing C.O.V.	Delivered Pricing Vinyl Group 2V	Delivered Pricing Pallas Fabric Group P0	Delivered Pricing Pallas Fabric Group P1	Delivered Pricing Pallas Fabric Group P2	Delivered Pricing Pallas Fabric Group P3
	Basic Model	Fire Code	Poly Solid Color	Poly Outside/Inside Color	Frame Color	Glide Option	Tablet Arm Color	Upholstery Color											
Solid Color, Polypropylene, Left Hand	DN319L	□□□	□□□		□□	□□□	□□□		42.5#	\$ 670									
Solid Color, Polypropylene, Right Hand	DN319R	□□□	□□□		□□	□□□	□□□		42.5#	670									
Solid Color, Upholstered Seat, Left Hand	DN329L	□□□	□□□		□□	□□□	□□□	□□□□□	45.5#	N/A	785	793	810	785	810	818	857	872	892
Solid Color, Upholstered Seat, Right Hand	DN329R	□□□	□□□		□□	□□□	□□□	□□□□□	45.5#	N/A	785	793	810	785	810	818	857	872	892
Solid Color, Upholstered Seat/Back, Left Hand	DN339L	□□□	□□□		□□	□□□	□□□	□□□□□	47.5#	N/A	812	820	837	812	837	845	883	899	919
Solid Color, Upholstered Seat/Back, Right Hand	DN339R	□□□	□□□		□□	□□□	□□□	□□□□□	47.5#	N/A	812	820	837	812	837	845	883	899	919
Two-Tone, Polypropylene, Left Hand	DN3A9L	NFR		□□□□□□	□□	□□□	□□□		42.5#	724									
Two-Tone, Polypropylene, Right Hand	DN3A9R	NFR		□□□□□□	□□	□□□	□□□		42.5#	724									
Two-Tone, Upholstered Seat, Left Hand	DN3B9L	NFR		□□□□□□	□□	□□□	□□□	□□□□□	45.5#	N/A	839	847	864	839	864	872	910	926	945
Two-Tone, Upholstered Seat, Right Hand	DN3B9R	NFR		□□□□□□	□□	□□□	□□□	□□□□□	47.5#	N/A	839	847	864	839	864	872	910	926	945
Sled Base ChangeUp Tablet Arm Chair																			
<ul style="list-style-type: none"> • Solid or two-tone colored shell • 17 degrees of hip articulation • Large work surface (21"W x 13.3"D) • Work surface flips and folds • Work surface has 20 degrees of ingress/egress movement • Work surface rated to 250 pounds • Chair rated to 400 pounds 																			
	A	B	C	D	E	F	G	H											



DN31
DN32
DN33
DN3A
DN3B
DN3B

HOW TO ORDER

- Indicate the following information on order form:
- Quantity of each item.
 - Model number, including options. See "How To Build a Model Number".
 - Any special service required.

Note: • The □ indicates that a choice is required.
• The absence of the □ indicates that no choice is required.
• Alpha-numeric characters in place of □ indicate that no other alternatives are available.

HOW TO BUILD A MODEL NUMBER

- A** Select basic model.
- B** Select fire code.
FR - Compliance to TB 133
NFR - Compliance to TB 117-2013
See Upholstery Information for TB133 upcharge.
- C** Select solid poly color. Refer to the **Product Color Options** page in this price list.
- D** Select outside/inside poly color. Refer to the **Product Color Options** page in this price list.
- E** Select frame color. Refer to the **Product Color Options** page in this price list.

- F** Select glide option.
GNG - No glides
GNS - Non-skid glides
GPL - Plastic glides
GSL - Steel glides
- G** Select tablet arm color. Refer to the **Product Color Options** page in this price list.
- H** Select upholstery grade/color. Refer to ki.com/fabrics

UPHOLSTERY INFORMATION

C.O.M. Upholstery
C.O.M. requirement for 10 chairs or less with upholstered seat or upholstered seat and back is 3/4 yard per chair of 54" wide nondirectional fabric. For orders of 11 or more with upholstered seat and back and for complete information on ordering C.O.M. see "Ordering C.O.M., C.O.V. and C.O.L." section.

California TB133 Fire Safety Code
For California Technical Bulletin 133 compliant models, add the following upcharge.

Model=Solid Color, Polypropylene
Added List Price=\$10
Model=Solid Color, Upholstered Seat
Added List Price=\$68
Model=Solid Color, Upholstered Seat/Back
Added List Price=\$97

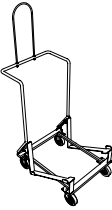
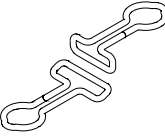
SPECIAL SERVICES

Special Carton Marking
With specially marked information N/C

Shipping
Ships **assembled, FOB Green Bay, WI 54302, freight prepaid.** Freight class 125.

Specifications and prices are subject to change without prior notice.



MODEL	MODEL NUMBER		Approx. Packaged Weight	Delivered Pricing
	Basic Model			
 <p>Transport Dolly • Black powder-coat finish</p>	DNCD.BL		43.0 kg	\$ 457
 <p>Ganger Kit • Includes one male and one female ganger loop per kit • All necessary hardware included • Each part is installed under the chair • Assembly instructions provided • Gangers are field installable</p>	DGK		0.0 kg	\$ 54

HRDPT

HRDPT

A

HOW TO ORDER

- Indicate the following information on order form:
1. Quantity of each item.
 2. Model number, including options. See "How To Build a Model Number".
 3. Any special service required.

- Note:
- The indicates that a choice is required.
 - The absence of the indicates that no choice is required.
 - Alpha-numeric characters in place of indicate that no other alternatives are available.

HOW TO BUILD A MODEL NUMBER

- A** Select basic model.

SPECIAL SERVICES

Special Carton Marking

With specially marked information N/C

Shipping

Ships assembled, FOB Green Bay, WI 54302, freight prepaid. Freight class 125.

Specifications and prices are subject to change without prior notice.



Armless Task Chair

Task Armchair

ChangeUp Tablet Arm
Task Chair

Armless Task Stool

Task Arm Stool

Features					
Poly, upholstered seat, or upholstered seat/back	•	•	•	•	•
General Dimensions					
Seat width	19-1/4"	19-1/4"	19-1/4"	19-1/4"	19-1/4"
Seat depth	18-3/4"	18-3/4"	18-3/4"	18-3/4"	18-3/4"
Seat height (upholstered - add 1")	17-1/2" - 22-1/2"	17-1/2" - 22-1/2"	17-1/2" - 22-1/2"	22-1/2" - 32-3/4"	22-1/2" - 32-3/4"
Overall Dimensions					
Width	27-1/2"	27-1/2"	27-1/2"	27-1/2"	27-1/2"
Depth	27-1/2"	27-1/2"	27-1/2"	27-1/2"	27-1/2"
Height	33-1/4" - 38-1/4"	33-1/4" - 38-1/4"	33-1/4" - 38-1/4"	38-1/4" - 48-1/2"	38-1/4" - 48-1/2"
Arms to floor		26" - 31"			31" - 41-1/4"

PRODUCT SPECIFICATIONS

Seat Shell and Backrest Articulation Mechanism

The backrest and seat are injection-molded polypropylene. The seat and backrest are joined by a pair of hidden articulation mechanisms, each consisting of a 14-gauge steel housing, twin 7-gauge levers and steel coil springs. While maintaining a one-piece shell appearance, this mechanism allows the backrest to recline up to 17-degrees of motion.

Optional Upholstered Seat and Back

Urethane foam is attached to an injection-molded polypropylene liner board, then upholstered using a draw-string process. Seat foam is molded nominal 1" thickness, and back foam is nominal 1/2" thickness. The flush-head fasteners that attach the back pad are color-matched to the polypropylene.

Under-Seat Structure

Support structure is a die-drawn 12-gauge steel plate. Structure is finished with baked-on electrostatically-applied 30-degree gloss epoxy powder-coat paint coordinated with base selection.

Arms

Optional armrests are available. When equipped with arms, a support structure is 7/8" O.D. by 13-gauge tubular steel welded directly to the seat structure plate. The steel support tube is inserted into a socket molded into the armrest, and secured with a screw. Armrests are molded from glass-reinforced polypropylene. Structure and armrests are Warm Grey when Warm Grey base is selected, or Black when Black or aluminum is selected.

Base

The base is a 26" injection-molded glass-reinforced nylon 5-blade base. A single paddle under the seat operates the height-adjusting pneumatic cylinder. Standard chair base and cylinder available in Black or Warm Grey. Standard stool base available in Black or Warm Grey. Standard stool cylinder available in Black only. An optional polished die-cast aluminum 5-blade base is also available on both chairs and stools.

INFORMATION

C.O.M. Testing and Production Requirements

Not all materials are suitable for upholstering this product. A 1 yd. x 54" sample must be submitted and approved prior to acceptance of an order. If the fabric is directional in pattern or weave, the direction must be indicated on the submitted sample, and additional yardage may be requested.

Test samples must be sent to:

KI
Attn: C.O.M. Specialist
1687 Westminster Drive - Gate 3
Green Bay, WI 54302

Design

Designed by Giancarlo Piretti and manufactured in the USA by Krueger International, Inc. under license from Pro-Cord S.p.A

INFORMATION

Warranty

Refer to KI Terms & Conditions document or visit ki.com

Casters

Casters are 60 mm O.D., double-wheel, high-impact thermoplastic and are available with hard (warm grey or black) or soft (black only) wheel surface.

Foot Ring

Task stools are equipped with an adjustable-height foot ring with black, die-cast aluminum hub and spokes, with an 18" diameter chrome-plated tubular steel ring.

ChangeUp™ Tablet Arm

ChangeUp tablet support is integral to the chair frame and consists of a $\frac{7}{8}$ " diameter solid steel rod welded to the front and rear support tubes. A three-piece molded plastic armrest is included and attached to the chair frame using a #10 x $2\frac{1}{2}$ " Phillips pan head tapping screw.

The tablet mechanism consists a die-cast aluminum housing, upper and lower plastic bearings, and 11-gauge steel clamp and tablet board support plates. The tablet mechanism is clamped onto the chair frame over two plastic bushing halves and a $\frac{5}{16}$ " diameter by $1\frac{3}{4}$ " hardened steel pin with a die-cast aluminum cap secured with two $\frac{1}{4}$ -20 x $\frac{3}{4}$ " button socket head cap screws. The pin creates a solid 90° up/down pivot stop and the bushings provide a smooth, quiet operation. In the use position, the tablet mechanism rotates outward from the chair back an additional 20° and permits approximately $3\frac{1}{2}$ " of adjustment for ingress/egress without stowing the tablet.

The tablet worksurface is 21" wide by $13\frac{1}{2}$ " deep (235 square inches) is secured to the tablet board support plate with twelve #12 x $\frac{5}{8}$ " Phillips flat head tapping screws. The tablet board is made of 18 mm Baltic Birch plywood with .040" high-pressure laminate top surface and .02" thick phenolic backer surface for an overall board thickness of approximately $\frac{3}{4}$ ". Edges are lacquered with a clear finish and sealed. The factory installed tablet assembly is not field installable and may not be removed.

STATEMENT OF LINE

All models are available in polypropylene seat/backrest, upholstered seat/ polypropylene backrest, or upholstered seat/backrest.



DN5100



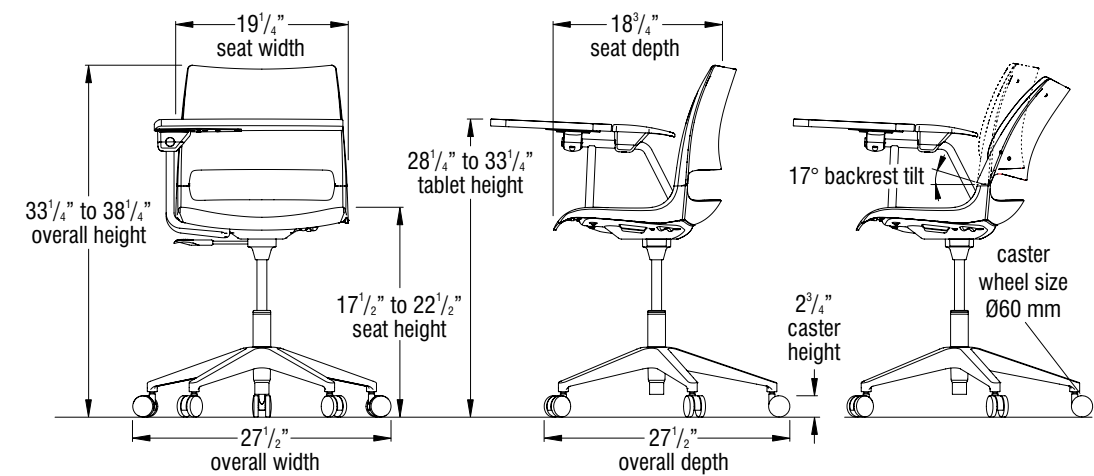
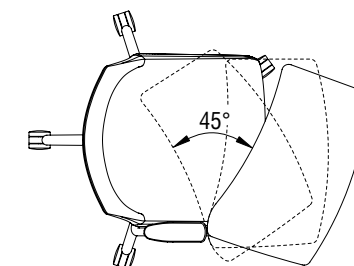
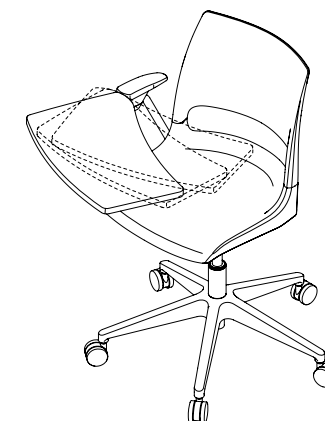
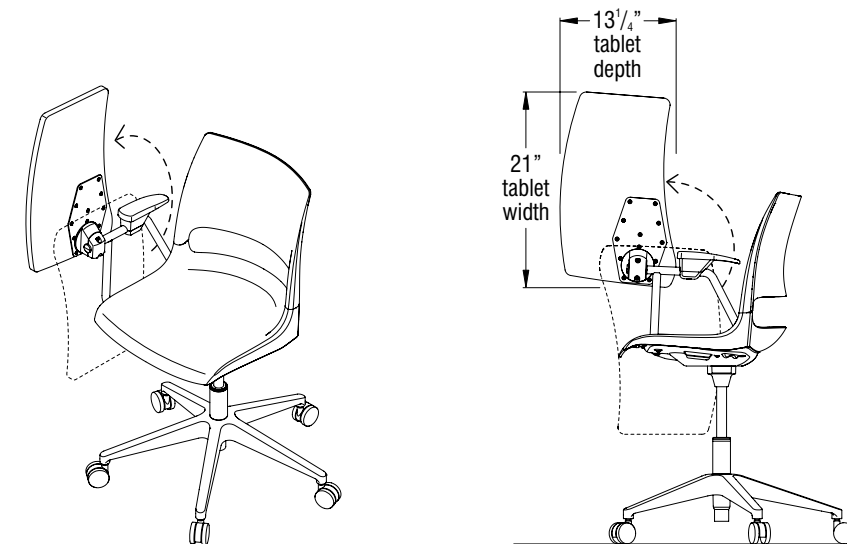
DN5111



DN6100

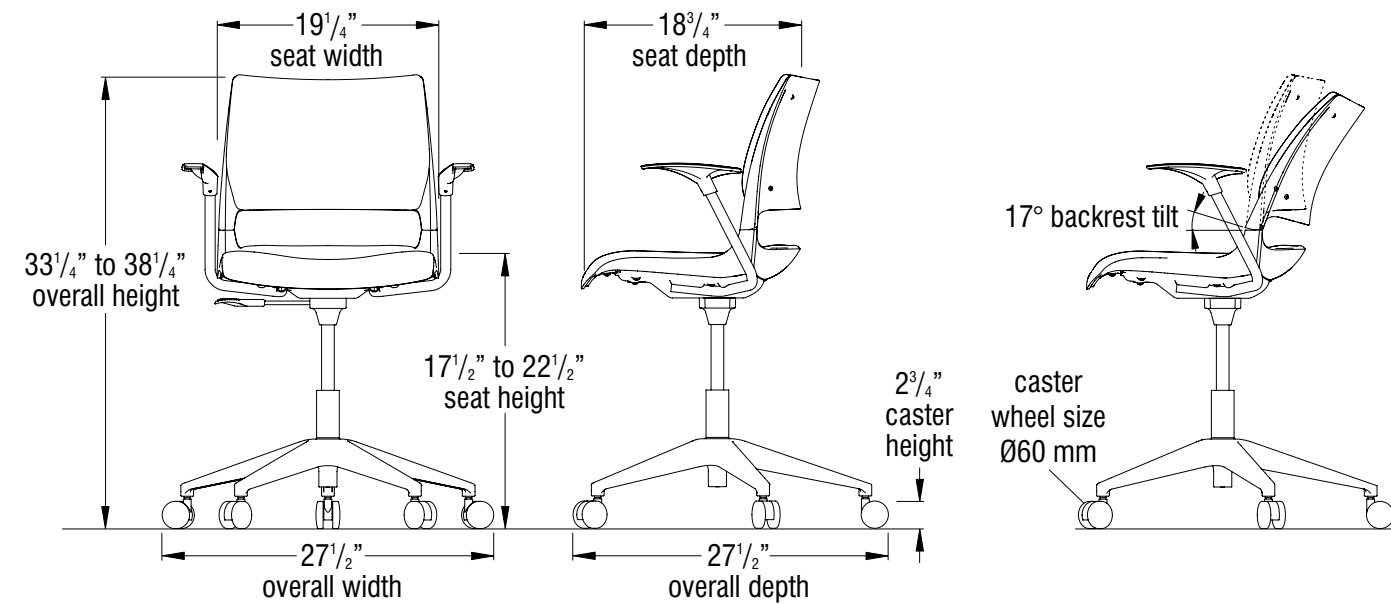


DN519R

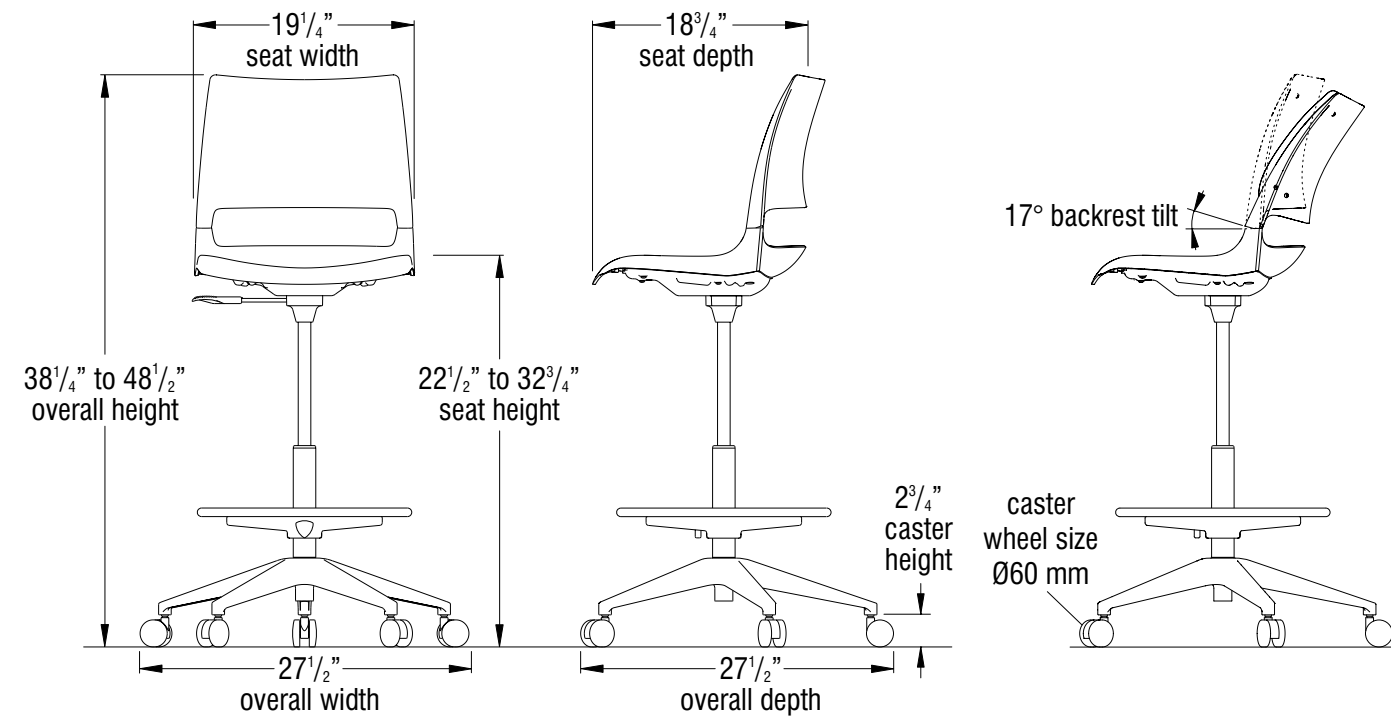
DIMENSIONS**Doni ChangeUp Tablet Arm Task Chair****ChangeUp Tablet Arm**

DIMENSIONS

Doni Task Armchair



Doni Armless Stool





Base/Caster Color

Black	BL
Warm Grey	WG
Polished Aluminum	PA

Polished Aluminum requires an upcharge.

Base color selection for black includes; black base, black cylinder and black carpet or hard floor casters.

Base color selection for warm grey includes; warm grey base, warm grey cylinder and warm grey carper casters (hard floor casters not available in warm grey). Stool cylinder is always black.

Base color selection for polished aluminum includes; polished aluminum base, black cylinder and black carpet or hard floor casters.

SOLID COLOR Seat and Back Polypropylene Non Flame-Retardant

Black	PBL
Blue Grey	PGR
Cool Grey	PCG
Cottonwood	PCO
Flannel	PFN
Honey Bee	PHY
Light Tone	PLG
Misty Brown	PMY
Nemo	PNE
Nordic	PND
Poppy Red	PPR
Ultra Blue	PUB
Warm Grey	PWG
Wet Sand	PWS
Zesty Lime	PZL

SOLID COLOR Seat and Back Polypropylene Flame-Retardant

Black	PBL
-------	-----

The above seating product can be manufactured using the appropriate flame-retardant materials for compliance of California Technical Bulletin 133.

TWO-TONE COLOR Seat and Back - Polypropylene Non Flame-Retardant

Outside/Inside

Outside Black/Inside Cottonwood	OBL/ICO
Outside Blue Grey/Inside Cool Grey	OGR/ICG
Outside Blue Grey/Inside Cottonwood	OGR/ICO
Outside Cool Grey/Inside Cottonwood	OCG/ICO
Outside Flannel/Inside Warm Grey	OFN/IWG
Outside Misty Brown/Inside Cottonwood	OMY/ICO
Outside Nemo/Inside Cottonwood	ONE/ICO
Outside Nordic/Inside Cool Grey	OND/ICG
Outside Poppy Red/Inside Cottonwood	OPR/ICO
Outside Surf's Up/Inside Cool Grey	OSP/ICG
Outside Ultra Blue/Inside Cottonwood	OUB/ICO
Outside Zesty Lime/Inside Cottonwood	OZL/ICO

ChangeUp Tablet Arm Color - Laminate

Biltmore Cherry	LBT
Black	LBK
Brighton Walnut	LBW
Canyon Zephyr	LCA
Castle Oak	LCO
Casual Linen	LCU
Cherry Storm	LCX
Classic Linen	LCI
Cloud Zephyr	LCL
Cocobala	LCC
Coffee Bean	LCB
Crisp Linen	LRI
Desert Zephyr	LDZ
Dove Grey	LDG
Fired Steel	LIL
Flax Linen	LXF
Florence Walnut	LFC
Forged Steel	LOL
Frosty White	LFW
Graphite Nebula	LGN
Grey	LGE
High Rise	LHE
Hollyberry	LHY
Irish Linen	LIH
Island	LID
Italian Silver Ash	LIT
Kensington Maple	LKM
Lapis Blue	LLB
Markerboard White	LMK
Misted Zephyr	LMR
Monticello Maple	LMT
Nickel Evolv	LNV
North Sea	LNA
Ocean	LON
Orange Grove	LOE
Pearl Bisque	LPB
Pearl Silver	LPS
Pressed Linen	LPR
River Cherry	LRY
Rugged Linen	LRG
Satin Stainless	LSS
Shadow Zephyr	LSR
Silicon evolv	LSV
Sterling Ash	LAZ
Tailored Linen	LTL
Titanium evolv	LTV
White Nebula	LWL
White Sand	LWN
Windsor Mahogany	LWY

Finish Cards

View color swatches for items listed within this document.

Paints

Plastics/Poly

Wood/Veneer

Laminates

Molded Edges

Edge Styles

Hard Plastics

Glass

Certain options referenced may not be available on GSA Schedule.



Features	MODEL NUMBER								Approx. Packaged Weight	Delivered Pricing Unupholstered	Delivered Pricing Fabric Grade 1 & C.O.M.	Delivered Pricing Fabric Grade 2	Delivered Pricing Fabric Grade 3	Delivered Pricing C.O.V.	Delivered Pricing Vinyl Group 2V	Delivered Pricing Pallas Fabric Group P0	Delivered Pricing Pallas Fabric Group P1	Delivered Pricing Pallas Fabric Group P2	Delivered Pricing Pallas Fabric Group P3
	Basic Model	Fire Code	Poly Solid Color	Poly Outside/Inside Color	Base Color	Caster Type	Tablet Arm Color	Upholstery Color											
Solid Color, Polypropylene, Left Hand	DN519L	□□□	□□□		□□	□□□	□□□		43.0#	\$ 811									
Solid Color, Polypropylene, Right Hand	DN519R	□□□	□□□		□□	□□□	□□□		43.0#	811									
Solid Color, Upholstered Seat, Left Hand	DN529L	□□□	□□□		□□	□□□	□□□	□□□□□	46.0#	N/A	925	933	950	925	950	958	997	1012	1031
Solid Color, Upholstered Seat, Right Hand	DN529R	□□□	□□□		□□	□□□	□□□	□□□□□	46.0#	N/A	925	933	950	925	950	958	997	1012	1031
Solid Color, Upholstered Seat/Back, Left Hand	DN539L	□□□	□□□		□□	□□□	□□□	□□□□□	48.0#	N/A	952	960	976	952	976	985	1024	1038	1058
Solid Color, Upholstered Seat/Back, Right Hand	DN539R	□□□	□□□		□□	□□□	□□□	□□□□□	48.0#	N/A	952	960	976	952	976	985	1024	1038	1058
Two-Tone, Polypropylene, Left Hand	DN5A9L	NFR		□□□□□□	□□	□□□	□□□		43.0#	865									
Two-Tone, Polypropylene, Right Hand	DN5A9R	NFR		□□□□□□	□□	□□□	□□□		43.0#	865									
Two-Tone, Upholstered Seat, Left Hand	DN5B9L	NFR		□□□□□□	□□	□□□	□□□	□□□□□	46.0#	N/A	978	987	1003	978	1003	1012	1051	1065	1085
Two-Tone, Upholstered Seat, Right Hand	DN5B9R	NFR		□□□□□□	□□	□□□	□□□	□□□□□	46.0#	N/A	978	987	1003	978	1003	1012	1051	1065	1085
ChangeUp Tablet Arm Task Chair																			
<ul style="list-style-type: none"> Solid or two-tone colored shell 17 degrees of hip articulation Large work surface (21"W x 13.3"D) Work surface flips and folds Work surface has 20 degrees of ingress/egress movement Work surface rated to 250 pounds Chair rated to 400 pounds 																			
	A	B	C	D	E	F	G	H											



DN51
DN52
DN53
DN5A
DN5B

HOW TO ORDER

- Indicate the following information on order form:
- Quantity of each item.
 - Model number, including options. See "How To Build a Model Number".
 - Any special service required.

Note:

- The □ indicates that a choice is required.
- The absence of the □ indicates that no choice is required.
- Alpha-numeric characters in place of □ indicate that no other alternatives are available.

HOW TO BUILD A MODEL NUMBER

- A** Select basic model.
- B** Select fire code.
NFR - Compliance to TB 117-2013
FR - Compliance to TB 133
See Upholstery Information for TB133 upcharge.
- C** Select solid poly color.
Refer to the **Product Color Options** page in this price list.
- D** Select outside/inside poly color.
Refer to the **Product Color Options** page in this price list.
- E** Select base color.
Refer to the **Product Color Options** page in this price list.
*Add \$88 for polished aluminum base.
- F** Select casters.
CHC - Hard floor casters
CCC - Carpet casters
- G** Select tablet arm color.
Refer to the **Product Color Options** page in this price list.
- H** Select upholstery grade/color.
Refer to ki.com/fabrics

UPHOLSTERY INFORMATION

C.O.M. Upholstery
C.O.M. requirement for 10 chairs or less with upholstered seat or upholstered seat and back is 3/4 yard per chair of 54" wide nondirectional fabric. For orders of 11 or more with upholstered seat and back and for complete information on ordering C.O.M. see "Ordering C.O.M., C.O.V. and C.O.L." section.

California TB133 Fire Safety Code
For California Technical Bulletin 133 compliant models, add the following upcharge.

- Model=Solid Color, Polypropylene
Added List Price=\$10
- Model=Solid Color, Upholstered Seat
Added List Price=\$68
- Model=Solid Color, Upholstered Seat/Back
Added List Price=\$97

SPECIAL SERVICES

Special Carton Marking

With specially marked information N/C

Shipping

Ships **knocked down, FOB Green Bay, WI 54302, freight prepaid.** Freight class 100.

Specifications and prices are subject to change without prior notice.



1-Place Unit

2-Place Unit

3-Place Unit

4-Place Unit

Features				
Corner tables	•	•	•	•
In-line tables	•	•	•	•
Poly, upholstered seat, or upholstered seat/back	•	•	•	•
General Dimensions				
Seat width	19-1/4"	19-1/4"	19-1/4"	19-1/4"
Seat depth	18-3/4"	18-3/4"	18-3/4"	18-3/4"
Seat height	17"	17"	17"	17"
Unit width	28"	50"	72"	88"
Unit height	33"	33"	33"	33"
Corner table top	30" x 30"	30" x 30"	30" x 30"	30" x 30"
In-line table	20" x 20"	20" x 20"	20" x 20"	20" x 20"
Table height (all table models)	17"	17"	17"	17"

Seat Shell and Backrest Articulation Mechanism

The backrest and seat are injection-molded polypropylene. The seat and backrest are joined by a pair of hidden articulation mechanisms, each consisting of a 14-gauge steel housing, twin 7-gauge levers and steel coil springs. While maintaining a one-piece shell appearance, this mechanism allows the backrest to recline up to 17 degrees of motion.

Optional Upholstered Seat and Back

Urethane foam is attached to an injection-molded polypropylene liner board, then upholstered using a draw-string process. Seat foam is molded nominal 1" thickness, and back foam is nominal 1/2" thickness. The flush-head fasteners that attach the back pad are color-matched to the polypropylene.

Under-seat Structure

Support structure is a die-drawn 12-gauge steel plate. Structure is finished with baked-on electrostatically-applied 30-degree gloss epoxy powder-coat paint.

Tandem Base

Cast aluminum alloy leg section. 14-gauge 1" x 2" seamless steel column. Upright and base are painted monochromatic with beam and yoke. Columns are welded to a plate which clamps onto beam.

In-Line Table

Solid core top is 20" x 20" x 7/8" with a vinyl bullnose edge.

Corner Table

Solid core top is 30" x 30" x 7/8" with a vinyl bullnose edge.

INFORMATION

C.O.M. Testing and Production Requirements

Not all materials are suitable for upholstering this product. A 1 yd. x 54" sample must be submitted and approved prior to acceptance of an order. If the fabric is directional in pattern or weave, the direction must be indicated on the submitted sample, and additional yardage may be requested.

Test samples must be sent to:

KI
Attn: C.O.M. Specialist
1687 Westminster Drive - Gate 3
Green Bay, WI 54302

Design

Designed by Giancarlo Piretti and manufactured in the USA by Krueger International, Inc. under license from Pro-Cord S.p.A

INFORMATION

Warranty

Refer to KI Terms & Conditions document or visit ki.com



Frame Color		Surface Finish - Laminate		SOLID COLOR Seat and Back Polypropylene Non Flame-Retardant	
Black	BL	Biltmore Cherry	LBT	Black	PBL
Blue Grey	GR	Black	LBK	Blue Grey	PGR
Cool Grey	CG	Brighton Walnut	LBW	Cool Grey	PCG
Flannel	FN	Canyon Zephyr	LCA	Cottonwood	PCO
Glitz Metallic	GZ	Castle Oak	LCO	Flannel	PFN
Grass Green	GN	Casual Linen	LCU	Light Tone	PLG
Honey Bee	HY	Cherry Storm	LCX	Misty Brown	PMY
Light Tone	LG	Classic Linen	LCI	Nemo	PNE
Mardi Gras	MG	Cloud Zephyr	LCL	Nordic	PND
Misty Brown	MY	Cocobala	LCC	Poppy Red	PPR
Nemo	NE	Coffee Bean	LCB	Ultra Blue	PUB
Nordic	ND	Crisp Linen	LRI	Warm Grey	PWG
Poppy Red	PR	Desert Zephyr	LDZ	Wet Sand	PWS
Purple Haze	PH	Dove Grey	LDG	Zesty Lime	PZL
Rubber Ducky	RK	Fired Steel	LIL		
Sand	SA	Flax Linen	LXF	SOLID COLOR Seat and Back Polypropylene Flame-Retardant	
Sky Blue	SK	Florence Walnut	LFC	Black	PBL
Surf's Up	SP	Forged Steel	LOL		
Ultra Blue	UB	Frosty White	LFW		
Warm Grey	WG	Graphite Nebula	LGN	The above seating product can be manufactured using the appropriate flame-retardant materials for compliance of California Technical Bulletin 133.	
Wet Sand	WS	Grey	LGE		
Zesty Lime	ZL	High Rise	LHE		
		Hollyberry	LHY	TWO-TONE COLOR Seat and Back - Polypropylene Non Flame-Retardant	
		Irish Linen	LIH		
Edge Color		Island	LID	Outside/Inside	
Black	EBL	Italian Silver Ash	LIT	Outside Black/Inside Cottonwood	OBL/ICO
Blue Grey	EGR	Kensington Maple	LKM	Outside Blue Grey/Inside Cool Grey	OGR/ICG
Cool Grey	ECG	Lapis Blue	LLB	Outside Blue Grey/Inside Cottonwood	OGR/ICO
Flannel	EFN	Markerboard White	LMK	Outside Cool Grey/Inside Cottonwood	OCG/ICO
Frosty White	EFW	Misted Zephyr	LMR	Outside Flannel/Inside Warm Grey	OFN/IWG
Light Tone	ELG	Monticello Maple	LMT	Outside Misty Brown/Inside Cottonwood	OMY/ICO
Mardi Gras	EMG	Nickel Evolv	LNV	Outside Nemo/Inside Cottonwood	ONE/ICO
Misty Brown	EMY	North Sea	LNA	Outside Nordic/Inside Cool Grey	OND/ICG
Nemo	ENE	Ocean	LON	Outside Poppy Red/Inside Cottonwood	OPR/ICO
Purple Haze	EPH	Orange Grove	LOE	Outside Surf's Up/Inside Cool Grey	OSP/ICG
Rubber Ducky	ERK	Pearl Bisque	LPB	Outside Ultra Blue/Inside Cottonwood	OUB/ICO
Sand	ESA	Pearl Silver	LPS	Outside Zesty Lime/Inside Cottonwood	OZL/ICO
Surf's Up	ESP	Pressed Linen	LPR		
Ultra Blue	EUB	River Cherry	LRY		
Warm Grey	EWG	Rugged Linen	LRG		
Wet Sand	EWS	Satin Stainless	LSS		
Zesty Lime	EZL	Shadow Zephyr	LSR		
		Silicon evolv	LSV		
		Sterling Ash	LAZ		
		Tailored Linen	LTL		
		Titanium evolv	LTV		
		White Nebula	LWL		
		White Sand	LWN		
		Windsor Mahogany	LWY		

Finish Cards

View color swatches for items listed within this document.

Paints

Plastics/Poly

Wood/Veneer

Laminates


Molded Edges

Edge Styles

Hard Plastics

Glass

Certain options referenced may not be available on GSA Schedule.

MODEL	Features	MODEL NUMBER						Approx. Packaged Weight	Delivered Pricing	FR add to list price
		Basic Model	Frame Color	Fire Code	Poly Solid Color	Surface Finish	Edge Color			
 <p>DND1</p> <p>Polypropylene - No Arm, SOLID COLOR</p> <ul style="list-style-type: none"> Optional in-line tables 1 seat, 0 in-line table models must connect to a corner table Corner table is ordered separately 	1 Seat, 0 In-Line Table	DND10S1T0	<input type="checkbox"/>	<input type="checkbox"/>	<input type="checkbox"/>			0.0#	\$ 612	\$ 10
	1 Seat, 1 In-Line Table	DND10S1T1	<input type="checkbox"/>	<input type="checkbox"/>	<input type="checkbox"/>	<input type="checkbox"/>	<input type="checkbox"/>	0.0#	1350	10
	2 Seat, 0 In-Line Table	DND10S2T0	<input type="checkbox"/>	<input type="checkbox"/>	<input type="checkbox"/>			0.0#	1221	22
	2 Seat, 1 In-Line Table	DND10S2T1	<input type="checkbox"/>	<input type="checkbox"/>	<input type="checkbox"/>	<input type="checkbox"/>	<input type="checkbox"/>	0.0#	1959	22
	3 Seat, 0 In-Line Table	DND10S3T0	<input type="checkbox"/>	<input type="checkbox"/>	<input type="checkbox"/>			0.0#	1831	32
	3 Seat, 1 In-Line Table	DND10S3T1	<input type="checkbox"/>	<input type="checkbox"/>	<input type="checkbox"/>	<input type="checkbox"/>	<input type="checkbox"/>	0.0#	2570	32
	4 Seat, 0 In-Line Table	DND10S4T0	<input type="checkbox"/>	<input type="checkbox"/>	<input type="checkbox"/>			0.0#	2444	43
	3 Seat, 2 In-Line Table	DND10S3T2	<input type="checkbox"/>	<input type="checkbox"/>	<input type="checkbox"/>	<input type="checkbox"/>	<input type="checkbox"/>	0.0#	3308	32
	4 Seat, 1 In-Line Table	DND10S4T1	<input type="checkbox"/>	<input type="checkbox"/>	<input type="checkbox"/>	<input type="checkbox"/>	<input type="checkbox"/>	0.0#	3180	43
	5 Seat, 0 In-Line Table	DND10S5T0	<input type="checkbox"/>	<input type="checkbox"/>	<input type="checkbox"/>			0.0#	3056	54

A

B

C

D

E

F

HOW TO ORDER

Indicate the following information on order form:

- Quantity of each item.
- Model number, including options. See "How To Build a Model Number".
- Any special service required.

Note: • The indicates that a choice is required.

- The absence of the indicates that no choice is required.
- Alpha-numeric characters in place of indicate that no other alternatives are available.

HOW TO BUILD A MODEL NUMBER


- A** Select basic model.
- B** Select frame color.
Refer to the **Product Color Options** page in this price list.
- C** Select fire code.
FR - Fire retardant
NFR - No Fire Retardant
See pricing column for TB133 upcharge.
- D** Select solid poly color.
Refer to the **Product Color Options** page in this price list.
- E** Select surface finish for table.
Refer to the **Product Color Options** page in this price list.
- F** Select table edge color.
Refer to the **Product Color Options** page in this price list.

SPECIAL SERVICES**Special Carton Marking**

With specially marked information N/C

ShippingShips **knocked down, FOB Green Bay, WI 54302, freight prepaid.** Freight class 70.

Specifications and prices are subject to change without prior notice.

MODEL	Features	MODEL NUMBER						Approx. Packaged Weight	Delivered Pricing
		Basic Model	Frame Color	Fire Code	Poly Outside/Inside Color	Surface Finish	Edge Color		
 <p>DNDA</p> <p>Polypropylene - No Arm, TWO-TONE</p> <ul style="list-style-type: none"> Optional in-line tables 1 seat, 0 in-line table models must connect to a corner table Corner table is ordered separately 	1 Seat, 0 In-Line Table	DNDA0S1T0	<input type="checkbox"/>	NFR	<input type="checkbox"/>			0.0#	\$ 666
	1 Seat, 1 In-Line Table	DNDA0S1T1	<input type="checkbox"/>	NFR	<input type="checkbox"/>	<input type="checkbox"/>	<input type="checkbox"/>	0.0#	1404
	2 Seat, 0 In-Line Table	DNDA0S2T0	<input type="checkbox"/>	NFR	<input type="checkbox"/>			0.0#	1328
	2 Seat, 1 In-Line Table	DNDA0S2T1	<input type="checkbox"/>	NFR	<input type="checkbox"/>	<input type="checkbox"/>	<input type="checkbox"/>	0.0#	2066
	3 Seat, 0 In-Line Table	DNDA0S3T0	<input type="checkbox"/>	NFR	<input type="checkbox"/>			0.0#	1993
	3 Seat, 1 In-Line Table	DNDA0S3T1	<input type="checkbox"/>	NFR	<input type="checkbox"/>	<input type="checkbox"/>	<input type="checkbox"/>	0.0#	2731
	4 Seat, 0 In-Line Table	DNDA0S4T0	<input type="checkbox"/>	NFR	<input type="checkbox"/>			0.0#	2659
	3 Seat, 2 In-Line Table	DNDA0S3T2	<input type="checkbox"/>	NFR	<input type="checkbox"/>	<input type="checkbox"/>	<input type="checkbox"/>	0.0#	3469
	4 Seat, 1 In-Line Table	DNDA0S4T1	<input type="checkbox"/>	NFR	<input type="checkbox"/>	<input type="checkbox"/>	<input type="checkbox"/>	0.0#	3396
	5 Seat, 0 In-Line Table	DNDA0S5T0	<input type="checkbox"/>	NFR	<input type="checkbox"/>			0.0#	3325

A **B** **C** **D** **E** **F**

HOW TO ORDER

Indicate the following information on order form:

- Quantity of each item.
- Model number, including options. See "How To Build a Model Number".
- Any special service required.

Note: • The indicates that a choice is required.

- The absence of the indicates that no choice is required.
- Alpha-numeric characters in place of indicate that no other alternatives are available.

HOW TO BUILD A MODEL NUMBER

- A** Select basic model.
- B** Select frame color.
Refer to the **Product Color Options** page in this price list.
- C** Select fire code.
NFR - No Fire Retardant
- D** Select outside/inside poly color.
Refer to the **Product Color Options** page in this price list.
- E** Select surface finish for table.
Refer to the **Product Color Options** page in this price list.
- F** Select table edge color.
Refer to the **Product Color Options** page in this price list.

SPECIAL SERVICES

Special Carton Marking


With specially marked information N/C

Shipping

Ships **knocked down, FOB Green Bay, WI 54302, freight prepaid.** Freight class 70.

Specifications and prices are subject to change without prior notice.



MODEL	Features	MODEL NUMBER							Approx. Packaged Weight	Delivered Pricing Fabric Grade 1 & C.O.M.	Delivered Pricing Fabric Grade 2	Delivered Pricing Fabric Grade 3	Delivered Pricing C.O.V.	Delivered Pricing Vinyl Group 2V	Delivered Pricing Pallas Fabric Group P0	Delivered Pricing Pallas Fabric Group P1	Delivered Pricing Pallas Fabric Group P2	Delivered Pricing Pallas Fabric Group P3	Delivered Pricing Pallas Fabric Group P4	TB133 add to list price
		Basic Model	Frame Color	Fire Code	Poly Solid Color	Surface Finish	Edge Color	Upholstery Color												
 DND2 Upholstered Seat - No Arm, SOLID COLOR • Optional in-line tables • 1 seat, 0 in-line table models must connect to a corner table • Corner table is ordered separately	1 Seat, 0 In-Line Table	DND20S1T0	<input type="checkbox"/>	<input type="checkbox"/>	<input type="checkbox"/>			<input type="checkbox"/>	0.0#	\$ 726	\$ 734	\$ 750	\$ 726	\$ 750	\$ 759	\$ 798	\$ 812	\$ 832	\$ 860	\$ 68
	1 Seat, 1 In-Line Table	DND20S1T1	<input type="checkbox"/>	<input type="checkbox"/>	<input type="checkbox"/>	<input type="checkbox"/>	<input type="checkbox"/>	<input type="checkbox"/>	0.0#	1464	1473	1488	1464	1488	1498	1536	1551	1570	1598	68
	2 Seat, 0 In-Line Table	DND20S2T0	<input type="checkbox"/>	<input type="checkbox"/>	<input type="checkbox"/>			<input type="checkbox"/>	0.0#	1449	1466	1499	1449	1499	1515	1593	1623	1662	1718	135
	2 Seat, 1 In-Line Table	DND20S2T1	<input type="checkbox"/>	<input type="checkbox"/>	<input type="checkbox"/>	<input type="checkbox"/>	<input type="checkbox"/>	<input type="checkbox"/>	0.0#	2187	2205	2237	2187	2237	2254	2332	2362	2400	2456	135
	3 Seat, 0 In-Line Table	DND20S3T0	<input type="checkbox"/>	<input type="checkbox"/>	<input type="checkbox"/>			<input type="checkbox"/>	0.0#	2174	2200	2247	2174	2247	2273	2390	2435	2493	2577	204
	3 Seat, 1 In-Line Table	DND20S3T1	<input type="checkbox"/>	<input type="checkbox"/>	<input type="checkbox"/>	<input type="checkbox"/>	<input type="checkbox"/>	<input type="checkbox"/>	0.0#	2912	2938	2986	2912	2986	3012	3128	3173	3231	3316	204
	4 Seat, 0 In-Line Table	DND20S4T0	<input type="checkbox"/>	<input type="checkbox"/>	<input type="checkbox"/>			<input type="checkbox"/>	0.0#	2901	2935	3000	2901	3000	3035	3190	3250	3327	3439	271
	3 Seat, 2 In-Line Table	DND20S3T2	<input type="checkbox"/>	<input type="checkbox"/>	<input type="checkbox"/>	<input type="checkbox"/>	<input type="checkbox"/>	<input type="checkbox"/>	0.0#	3650	3676	3724	3650	3724	3750	3867	3911	3970	4054	204
	4 Seat, 1 In-Line Table	DND20S4T1	<input type="checkbox"/>	<input type="checkbox"/>	<input type="checkbox"/>	<input type="checkbox"/>	<input type="checkbox"/>	<input type="checkbox"/>	0.0#	3637	3671	3736	3637	3736	3771	3926	3986	4063	4176	271
	5 Seat, 0 In-Line Table	DND20S5T0	<input type="checkbox"/>	<input type="checkbox"/>	<input type="checkbox"/>			<input type="checkbox"/>	0.0#	3626	3669	3750	3626	3750	3793	3987	4062	4159	4299	339

A **B** **C** **D** **E** **F** **G**

HOW TO ORDER

- Indicate the following information on order form:
- Quantity of each item.
 - Model number, including options. See "How To Build a Model Number".
 - Any special service required.

Note:

- The indicates that a choice is required.
- The absence of the indicates that no choice is required.
- Alpha-numeric characters in place of indicate that no other alternatives are available.

HOW TO BUILD A MODEL NUMBER

G Select upholstery grade/color. Refer to ki.com/fabrics

- A** Select basic model.
- B** Select frame color. Refer to the **Product Color Options** page in this price list.
- C** Select fire code.

NFR	- Compliance to TB 117-2013
FR	- Compliance to TB 133

 See pricing column for TB133 upcharge.
- D** Select solid poly color. Refer to the **Product Color Options** page in this price list.
- E** Select surface finish for table. Refer to the **Product Color Options** page in this price list.
- F** Select table edge color. Refer to the **Product Color Options** page in this price list.

SPECIAL SERVICES

Special Carton Marking


With specially marked information N/C

Shipping

Ships **knocked down, FOB Green Bay, WI 54302, freight prepaid.** Freight class 70.

Specifications and prices are subject to change without prior notice.



MODEL	Features	MODEL NUMBER							Approx. Packaged Weight	Delivered Pricing Fabric Grade 1 & C.O.M.	Delivered Pricing Fabric Grade 2	Delivered Pricing Fabric Grade 3	Delivered Pricing C.O.V.	Delivered Pricing Vinyl Group 2V	Delivered Pricing Pallas Fabric Group P0	Delivered Pricing Pallas Fabric Group P1	Delivered Pricing Pallas Fabric Group P2	Delivered Pricing Pallas Fabric Group P3	Delivered Pricing Pallas Fabric Group P4
		Basic Model	Frame Color	Fire Code	Poly Outside/Inside Color	Surface Finish	Edge Color	Upholstery Color											
 DNDB Upholstered Seat - No Arm, TWO-TONE • Optional in-line tables • 1 seat, 0 in-line table models must connect to a corner table • Corner table is ordered separately	1 Seat, 0 In-Line Table	DNDB0S1T0	<input type="checkbox"/>	NFR	<input type="checkbox"/>		<input type="checkbox"/>	0.0#	\$ 779	\$ 788	\$ 804	\$ 779	\$ 804	\$ 812	\$ 852	\$ 866	\$ 886	\$ 914	
	1 Seat, 1 In-Line Table	DNDB0S1T1	<input type="checkbox"/>	NFR	<input type="checkbox"/>	<input type="checkbox"/>	<input type="checkbox"/>	0.0#	1517	1527	1542	1517	1542	1551	1590	1605	1624	1653	
	2 Seat, 0 In-Line Table	DNDB0S2T0	<input type="checkbox"/>	NFR	<input type="checkbox"/>		<input type="checkbox"/>	0.0#	1557	1574	1606	1557	1606	1623	1700	1731	1770	1825	
	2 Seat, 1 In-Line Table	DNDB0S2T1	<input type="checkbox"/>	NFR	<input type="checkbox"/>	<input type="checkbox"/>	<input type="checkbox"/>	0.0#	2295	2312	2344	2295	2344	2362	2439	2469	2508	2564	
	3 Seat, 0 In-Line Table	DNDB0S3T0	<input type="checkbox"/>	NFR	<input type="checkbox"/>		<input type="checkbox"/>	0.0#	2335	2361	2409	2335	2409	2435	2551	2596	2654	2738	
	3 Seat, 1 In-Line Table	DNDB0S3T1	<input type="checkbox"/>	NFR	<input type="checkbox"/>	<input type="checkbox"/>	<input type="checkbox"/>	0.0#	3073	3099	3147	3073	3147	3173	3290	3334	3392	3477	
	4 Seat, 0 In-Line Table	DNDB0S4T0	<input type="checkbox"/>	NFR	<input type="checkbox"/>		<input type="checkbox"/>	0.0#	3116	3150	3216	3116	3216	3250	3405	3465	3542	3655	
	3 Seat, 2 In-Line Table	DNDB0S3T2	<input type="checkbox"/>	NFR	<input type="checkbox"/>	<input type="checkbox"/>	<input type="checkbox"/>	0.0#	3812	3838	3885	3812	3885	3911	4028	4073	4131	4215	
	4 Seat, 1 In-Line Table	DNDB0S4T1	<input type="checkbox"/>	NFR	<input type="checkbox"/>	<input type="checkbox"/>	<input type="checkbox"/>	0.0#	3852	3886	3951	3852	3951	3986	4141	4202	4279	4391	
	5 Seat, 0 In-Line Table	DNDB0S5T0	<input type="checkbox"/>	NFR	<input type="checkbox"/>		<input type="checkbox"/>	0.0#	3896	3938	4020	3896	4020	4062	4256	4332	4428	4569	
		A	B	C	D	E	F	G											

HOW TO ORDER

- Indicate the following information on order form:
- Quantity of each item.
 - Model number, including options. See "How To Build a Model Number".
 - Any special service required.

Note:

- The indicates that a choice is required.
- The absence of the indicates that no choice is required.
- Alpha-numeric characters in place of indicate that no other alternatives are available.

HOW TO BUILD A MODEL NUMBER

- A** Select basic model.
- B** Select frame color. Refer to the **Product Color Options** page in this price list.
- C** Select fire code. **NFR** - Compliance to TB 117-2013
- D** Select outside/inside poly color. Refer to the **Product Color Options** page in this price list.
- E** Select surface finish for table. Refer to the **Product Color Options** page in this price list.
- F** Select table edge color. Refer to the **Product Color Options** page in this price list.
- G** Select upholstery grade/color. Refer to ki.com/fabrics

SPECIAL SERVICES

Special Carton Marking


With specially marked information N/C

Shipping

Ships **knocked down, FOB Green Bay, WI 54302, freight prepaid.** Freight class 70.

Specifications and prices are subject to change without prior notice.



MODEL	Features	MODEL NUMBER							Approx. Packaged Weight	Delivered Pricing Fabric Grade 1 & C.O.M.	Delivered Pricing Fabric Grade 2	Delivered Pricing Fabric Grade 3	Delivered Pricing C.O.V.	Delivered Pricing Vinyl Group 2V	Delivered Pricing Pallas Fabric Group P0	Delivered Pricing Pallas Fabric Group P1	Delivered Pricing Pallas Fabric Group P2	Delivered Pricing Pallas Fabric Group P3	Delivered Pricing Pallas Fabric Group P4	TB133 add to list price
		Basic Model	Frame Color	Fire Code	Poly Solid Color	Surface Finish	Edge Color	Upholstery Color												
 DND3 Upholstered Seat and Back - No Arm, SOLID COLOR • Optional in-line tables • 1 seat, 0 in-line table models must connect to a corner table • Corner table is ordered separately	1 Seat, 0 In-Line Table	DND30S1T0	<input type="checkbox"/>	<input type="checkbox"/>	<input type="checkbox"/>			<input type="checkbox"/>	0.0#	\$ 752	\$ 761	\$ 777	\$ 752	\$ 777	\$ 786	\$ 825	\$ 839	\$ 859	\$ 887	\$ 97
	1 Seat, 1 In-Line Table	DND30S1T1	<input type="checkbox"/>	<input type="checkbox"/>	<input type="checkbox"/>	<input type="checkbox"/>	<input type="checkbox"/>	<input type="checkbox"/>	0.0#	1490	1500	1515	1490	1515	1525	1563	1578	1597	1626	97
	2 Seat, 0 In-Line Table	DND30S2T0	<input type="checkbox"/>	<input type="checkbox"/>	<input type="checkbox"/>			<input type="checkbox"/>	0.0#	1503	1519	1552	1503	1552	1569	1647	1678	1716	1772	193
	2 Seat, 1 In-Line Table	DND30S2T1	<input type="checkbox"/>	<input type="checkbox"/>	<input type="checkbox"/>	<input type="checkbox"/>	<input type="checkbox"/>	<input type="checkbox"/>	0.0#	2241	2258	2290	2241	2290	2308	2386	2416	2454	2511	193
	3 Seat, 0 In-Line Table	DND30S3T0	<input type="checkbox"/>	<input type="checkbox"/>	<input type="checkbox"/>			<input type="checkbox"/>	0.0#	2254	2280	2329	2254	2329	2355	2470	2516	2574	2657	290
	3 Seat, 1 In-Line Table	DND30S3T1	<input type="checkbox"/>	<input type="checkbox"/>	<input type="checkbox"/>	<input type="checkbox"/>	<input type="checkbox"/>	<input type="checkbox"/>	0.0#	2992	3018	3067	2992	3067	3093	3208	3254	3312	3396	290
	4 Seat, 0 In-Line Table	DND30S4T0	<input type="checkbox"/>	<input type="checkbox"/>	<input type="checkbox"/>			<input type="checkbox"/>	0.0#	3009	3043	3108	3009	3108	3142	3297	3357	3435	3546	388
	3 Seat, 2 In-Line Table	DND30S3T2	<input type="checkbox"/>	<input type="checkbox"/>	<input type="checkbox"/>	<input type="checkbox"/>	<input type="checkbox"/>	<input type="checkbox"/>	0.0#	3730	3756	3805	3730	3805	3831	3947	3993	4051	4134	290
	4 Seat, 1 In-Line Table	DND30S4T1	<input type="checkbox"/>	<input type="checkbox"/>	<input type="checkbox"/>	<input type="checkbox"/>	<input type="checkbox"/>	<input type="checkbox"/>	0.0#	3745	3779	3844	3745	3844	3878	4033	4093	4171	4283	388
	5 Seat, 0 In-Line Table	DND30S5T0	<input type="checkbox"/>	<input type="checkbox"/>	<input type="checkbox"/>			<input type="checkbox"/>	0.0#	3761	3804	3884	3761	3884	3928	4122	4196	4294	4434	485

A **B** **C** **D** **E** **F** **G**

HOW TO ORDER

- Indicate the following information on order form:
- Quantity of each item.
 - Model number, including options. See "How To Build a Model Number".
 - Any special service required.

Note:

- The indicates that a choice is required.
- The absence of the indicates that no choice is required.
- Alpha-numeric characters in place of indicate that no other alternatives are available.

HOW TO BUILD A MODEL NUMBER

G Select upholstery grade/color. Refer to ki.com/fabrics

- A** Select basic model.
- B** Select frame color. Refer to the **Product Color Options** page in this price list.
- C** Select fire code.

NFR	- Compliance to TB 117-2013
FR	- Compliance to TB 133

 See pricing column for TB133 upcharge.
- D** Select solid poly color. Refer to the **Product Color Options** page in this price list.
- E** Select surface finish for table. Refer to the **Product Color Options** page in this price list.
- F** Select table edge color. Refer to the **Product Color Options** page in this price list.

SPECIAL SERVICES

Special Carton Marking


With specially marked information N/C

Shipping

Ships **knocked down, FOB Green Bay, WI 54302, freight prepaid.** Freight class 70.

Specifications and prices are subject to change without prior notice.



MODEL	Features	MODEL NUMBER						Approx. Packaged Weight	Delivered Pricing	FR add to list price
		Basic Model	Frame Color	Fire Code	Poly Solid Color	Surface Finish	Edge Color			
 <p>DND1</p> <p>Polypropylene - No Arm, SOLID COLOR</p> <ul style="list-style-type: none"> Optional in-line tables 1 seat, 0 in-line table models must connect to a corner table Corner table is ordered separately 	1 Seat, 0 In-Line Table	DND10S1T0	<input type="checkbox"/>	<input type="checkbox"/>	<input type="checkbox"/>			0.0#	\$ 612	\$ 10
	1 Seat, 1 In-Line Table	DND10S1T1	<input type="checkbox"/>	<input type="checkbox"/>	<input type="checkbox"/>	<input type="checkbox"/>	<input type="checkbox"/>	0.0#	1350	10
	2 Seat, 0 In-Line Table	DND10S2T0	<input type="checkbox"/>	<input type="checkbox"/>	<input type="checkbox"/>			0.0#	1221	22
	2 Seat, 1 In-Line Table	DND10S2T1	<input type="checkbox"/>	<input type="checkbox"/>	<input type="checkbox"/>	<input type="checkbox"/>	<input type="checkbox"/>	0.0#	1959	22
	3 Seat, 0 In-Line Table	DND10S3T0	<input type="checkbox"/>	<input type="checkbox"/>	<input type="checkbox"/>			0.0#	1831	32
	3 Seat, 1 In-Line Table	DND10S3T1	<input type="checkbox"/>	<input type="checkbox"/>	<input type="checkbox"/>	<input type="checkbox"/>	<input type="checkbox"/>	0.0#	2570	32
	4 Seat, 0 In-Line Table	DND10S4T0	<input type="checkbox"/>	<input type="checkbox"/>	<input type="checkbox"/>			0.0#	2444	43
	3 Seat, 2 In-Line Table	DND10S3T2	<input type="checkbox"/>	<input type="checkbox"/>	<input type="checkbox"/>	<input type="checkbox"/>	<input type="checkbox"/>	0.0#	3308	32
	4 Seat, 1 In-Line Table	DND10S4T1	<input type="checkbox"/>	<input type="checkbox"/>	<input type="checkbox"/>	<input type="checkbox"/>	<input type="checkbox"/>	0.0#	3180	43
	5 Seat, 0 In-Line Table	DND10S5T0	<input type="checkbox"/>	<input type="checkbox"/>	<input type="checkbox"/>			0.0#	3056	54
				A	B	C	D	E	F	

HOW TO ORDER

- Indicate the following information on order form:
- Quantity of each item.
 - Model number, including options. See "How To Build a Model Number".
 - Any special service required.

Note:

- The indicates that a choice is required.
- The absence of the indicates that no choice is required.
- Alpha-numeric characters in place of indicate that no other alternatives are available.

HOW TO BUILD A MODEL NUMBER

- A** Select basic model.
- B** Select frame color. Refer to the **Product Color Options** page in this price list.
- C** Select surface finish for table. Refer to the **Product Color Options** page in this price list.
- D** Select table edge color. Refer to the **Product Color Options** page in this price list.

SPECIAL SERVICES

Special Carton Marking

With specially marked information N/C

Shipping

Ships **knocked down, FOB Green Bay, WI 54302, freight prepaid.** Freight class 70.

Specifications and prices are subject to change without prior notice.

1330 Bellevue Street
P.O. Box 8100
Green Bay, WI 54308-8100
800.424.2432
ki.com

KI and Furnishing Knowledge are registered
trademarks of Krueger International, Inc.

© 2020 Krueger International, Inc.
All Rights Reserved.
Code KI-PLW-000209/KI/PDF



Furnishing Knowledge®