



box
Assembly Guide

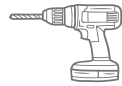
flexxform

box

flexxform

Tools Required:

Power Driver/Drill



7/64" or 1/8" drill bit



#2 Robertson or Phillips bit



Packaging Contents:

Due to Box being available in many configurations, the amount of hardware will vary per order. The Flexxform team will take the necessary steps to ensure all required pieces are included in your order.

In the rare cases that an item is missing, please reach out to customer service at 844-541-0081 or info@flexxform.co



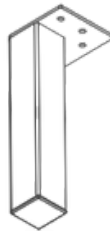
Leg Options

Please note that the standard size Box legs are 8" tall. The Jr. Box legs are 6" tall.

A

Standard Single Leg

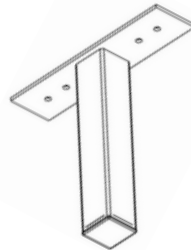
A single leg is used for a single module or configurations without the ganging option.



B

Single Leg - Ganging

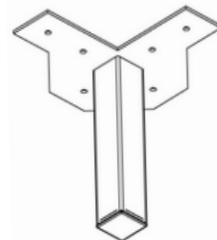
The ganging leg fastens two modules.



C

Corner Leg - Ganging

The corner ganging leg is used to fasten three adjacent modules in a corner condition.



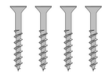
A Standard Single

1 - Assembly

1x Standard Leg

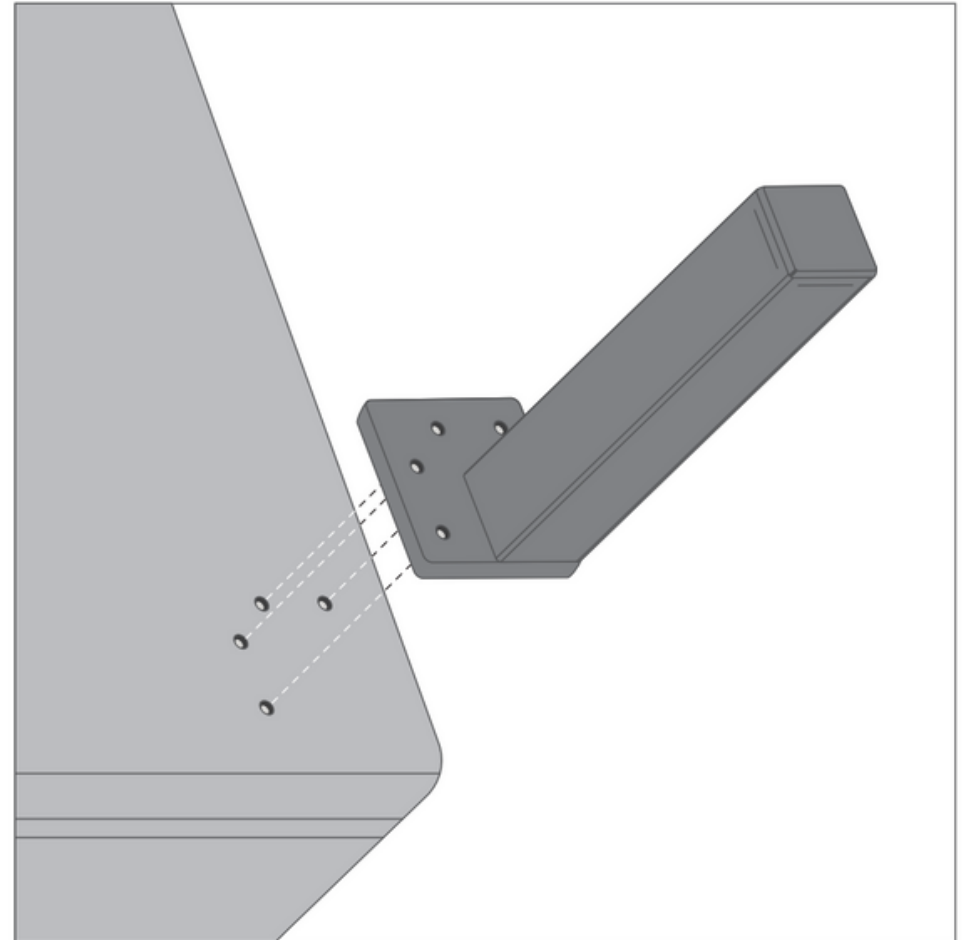


4x #10 Screws



2 - Attachment

Please note holes required to be drilled out at time of installation.



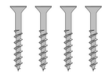
B Single Leg - Ganging

1 - Assembly

1x Single Leg - Ganging



4x #10 Screws

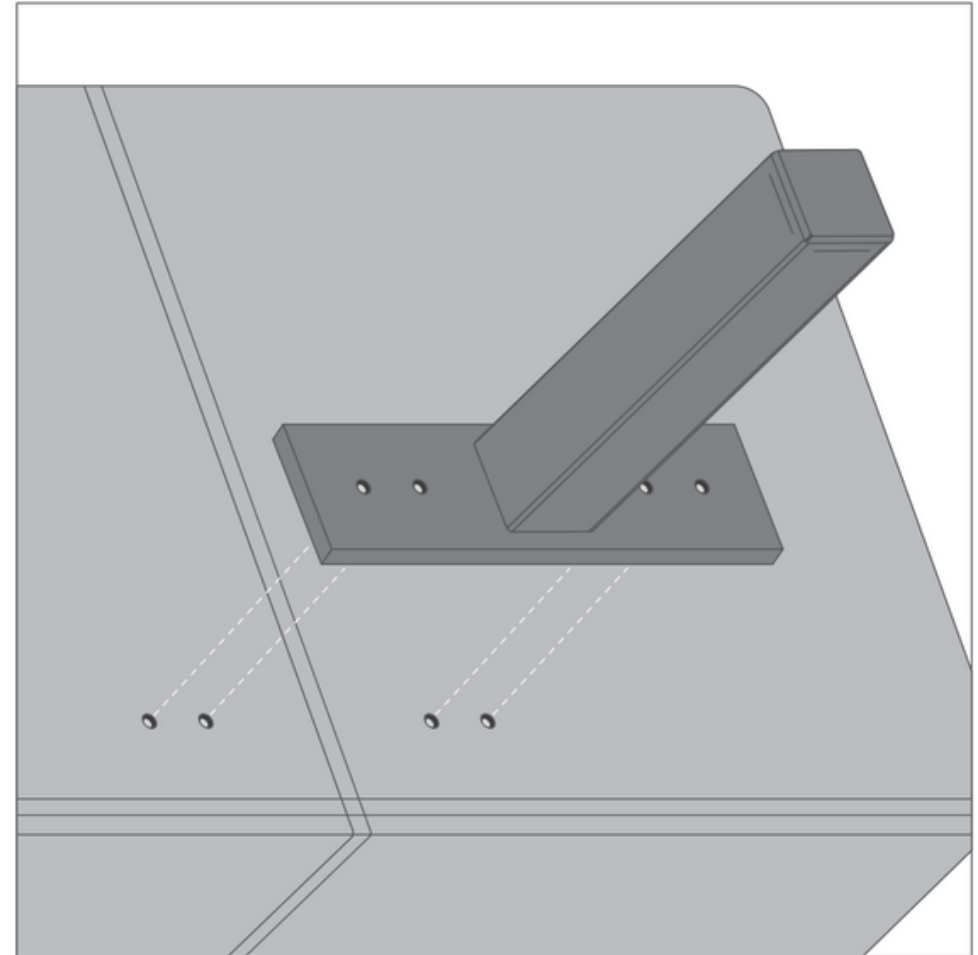


2 - Attachment

Please note holes required to be drilled out at time of installation.

Please note that the Box leg may come fastened to one Box and will need to be swiveled 180 degrees to be bolted to the ganged seat.

(The ganged seat may have a leg attached for shipping purposes which will need to be removed)



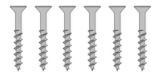
C Corner Leg - Ganging

1 - Assembly

1x Corner Leg - Ganging



6x #10 Screws



2 - Attachment

Please note holes required to be drilled out at time of installation.

