

CAM-LF1



Full Frame License Plate Camera User Manual



EchoMaster.com
EchoMaster is a Power Brand of AAMP Global



15500 Lightwave Drive, Suite 202
Clearwater, Florida 38760
email - support@aampglobal.com (US)
email - technical.eu@aampglobal.com (Europe)



Introduction

Thank you for purchasing your EchoMaster automotive camera.

The following part numbers are supported:
▶ CAM-LF1B-N ▶ CAM-LF1C-N

EchoMaster cameras are designed to improve safety during driving by providing high quality images of surrounding areas and obstacles in the vicinity of the vehicle. They will also improve vehicle maneuvering capability by displaying blind spots not normally visible to the driver.

Please ensure you read and understand all aspects of this manual before fitting or using your EchoMaster Camera. Choose a suitable mounting place dependent on the application. Ensure that there are no wiring harnesses or hoses/pipes located behind this panel before drilling.

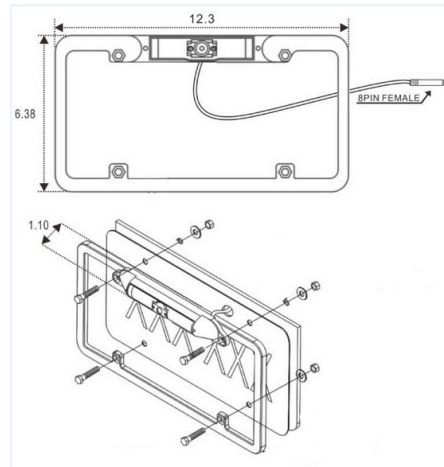
Key Features

- ▶ 1/4" CMOS Sensor
- ▶ Operates at 0 LUX
- ▶ 2 LEDs
- ▶ IP67 Rated
- ▶ 170 Degree Viewing Angle
- ▶ Selectable Image (mirrored/non-mirrored)

Box Contents

- ▶ Camera
- ▶ Manual
- ▶ Wiring Harness
- ▶ Mounting Hardware

Dimensions



Specifications

	CAM-LF1B-N / CAM-LF1C-N
Sensor	1/4" CMOS
LEDs	2
Illumination	0 LUX
Viewing Angle	170 degrees
Mirror Image	YES
Normal Image	YES
Water/Debris-Proof	IP67
Audio	NO
Power Supply	7-12V DC
Current	<390mA
Working Temperature	-20°C - +50°C
Dimensions (mm)	D (21) x W (310) x H (167)
System	NTSC
TV Lines	420
Resolution (HxV)	640 X 480

Wiring Diagram & Pin Out

