



Art. 19031

EN **Operator's manual**
smart Water Control

GARDENA smart Water Control

1. SAFETY	4
2. FUNCTION	6
3. INITIAL OPERATION	8
4. OPERATION	11
5. MAINTENANCE	14
6. STORAGE	15
7. TROUBLESHOOTING	16
8. TECHNICAL DATA	17
9. ACCESSORIES	18
10. SERVICE/WARRANTY	19

Translation of the original instructions.



For safety reasons, children and young people under 16 as well as anyone who is not familiar with these operating instructions should not use the product. Persons with reduced physical or mental abilities may use the product only if they are supervised or instructed by a responsible person. Children must be supervised to ensure that they do not play with the product. Never operate the product when you are tired, ill or under the influence of alcohol, drugs or medicine.

Intended use:

The **GARDENA smart Water Control** is intended for private use in domestic and hobby gardens, exclusively for outdoor use, to control sprinklers and watering systems. The **smart Water Control** can be used for automatic watering during holidays.

The **smart Water Control** can only be programmed together with the **GARDENA smart Gateway Art. 19000**.



DANGER! Risk of injury!

The GARDENA smart Water Control must not be used for industrial purposes or in conjunction with chemicals, foodstuffs, easily flammable and explosive materials.

1. SAFETY

Important!
Read the operator's manual carefully before use and keep for future reference.



DANGER!
Risk of suffocation!

Small parts can be easily swallowed. There is also a risk that the polybag can suffocate toddlers. Keep toddlers away when you assemble the product.



DANGER! Cardiac arrest!

This product makes an electromagnetic field while it operates. This field may under some conditions interfere with active or passive medical implants. To decrease the risk of conditions that can possibly injure or kill, we recommend persons with medical implants to speak with their physician and the medical implant manufacturer before you operate the product.

The product can be used in the temperature range $+5\text{ }^{\circ}\text{C} - +50\text{ }^{\circ}\text{C}$ outdoors.

Examine the product for damage prior to every commissioning.

Keep damaged parts out of the reach of children.

Regularly examine the batteries for damage.

Do not use damaged batteries. Ensure that they are correctly disposed of (please see Chapter 6. STORAGE "Disposal/Disposing of flat batteries").

Keep damaged batteries out of the reach of children.

Do not use the Water Control in explosive areas.

Examine the product for leaks prior to every commissioning.

The product will become hot when exposed to sunlight. Touching the product in such a condition can result in slight burns if touched.

Ensure that the product is only used within the stated temperature range (see Chapter 1. SAFETY: $+5\text{ }^{\circ}\text{C} - +50\text{ }^{\circ}\text{C}$).

Batteries:

To ensure the Water Control runs safely, only 3 x alkalimanganese (alkaline) batteries type LR6 (AA) (Mignon) must be used for the authorized temperature range $+5\text{ }^{\circ}\text{C} - +50\text{ }^{\circ}\text{C}$.



DANGER!

There is a risk of explosion if batteries are not replaced in the proper manner. See 6. STORAGE for information on how to dispose of used batteries.

Do not use re-chargeable batteries.

In order to stop the Water Control from failing because of a weak battery if you are away for a long time, the battery must be replaced when the battery display flashes yellow.

The batteries should not be removed while watering (leads to continuous watering).

Setting up:



CAUTION!

The Water Control must not be used indoors.

→ **Only use the Water Control outdoors.**

The Water Control may only be set up vertically with the sleeve nut to

the top to prevent water penetrating into the battery compartment.

The minimum water output to ensure that the Water Control functions correctly is 20 – 30 l/h. For example, at least 10 – 15 x 2-litre Drip Heads are required to control the Micro-Drip-System.

The max. temperature for the water flow is 40 °C.

→ **Only use clear fresh water.**

The minimum operating pressure is 0.5 bar, the maximum operating pressure is 12 bar.

Avoid tensile strain.

→ **Do not pull the hose connected to the Water Computer.**

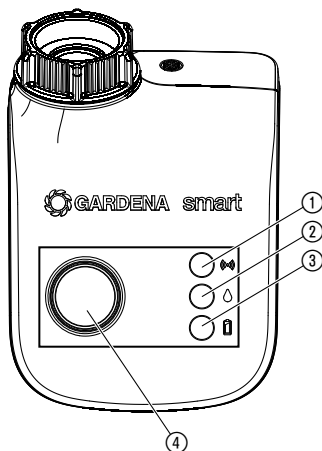
2. FUNCTION

Water Control:

The Water Control is controlled automatically with the GARDENA smart system App. Sprinklers, a sprinkler system or a drip head watering system can be used for watering.

The Water Control carries out watering fully automatically according to the set program and can therefore also be used during holidays. Early in the morning or late in the evening, evaporation and therefore water consumption is lowest.

Controls/Display:



- ① **Connection-LED:**
Green flashing: While connecting
Green for 10 sec: Signal strength high
Yellow for 10 sec: Signal strength medium
Red for 10 sec: Signal strength low
- ② **LED Active watering:**
Green for 10 sec.
- ③ **LED Battery display:**
Green for 20 sec: Capacity > 4 weeks
Yellow flashing: Capacity < 4 weeks
Red flashing: Capacity < 2 weeks
Red lightning: battery flat

If the LED lights red, the valve is no longer opened. A valve opened by the program will also close again if the battery is flat. The battery display is reset when the batteries are changed.

→ Replace batteries (see 3. INITIAL OPERATION "To insert batteries").

- ④ **Man. Button:**
 For switching the water throughput on or off manually.

3. INITIAL OPERATION

To insert batteries:

The batteries are not included in the scope of delivery.

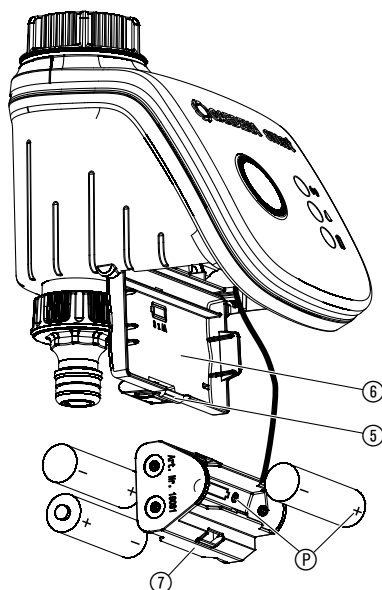
The Water Control must only be operated with 3 x alkalimanganese (alkaline) batteries type LR6 (AA) (Mignon).

The operating period is approx. 6 months. The operating period can vary depending on ambient temperature and transmission frequency.



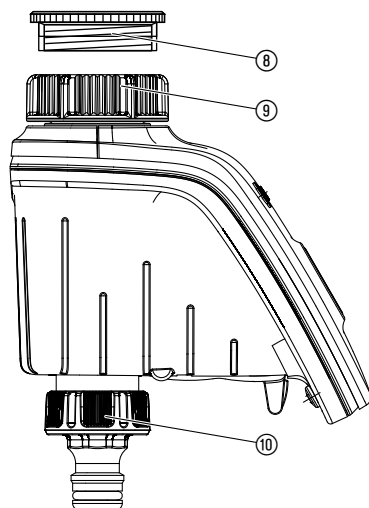
CAUTION!

Rechargeable batteries should not be used!



1. Press the tab ⑤ and open the cover ⑥.
2. Remove the battery holder ⑦.
3. Insert batteries into the battery holder ⑦. In doing so, ensure that the polarity P is correct.
4. Push the battery holder ⑦ back into the battery compartment.
5. Close the cover ⑥.

To connect the Water Control:



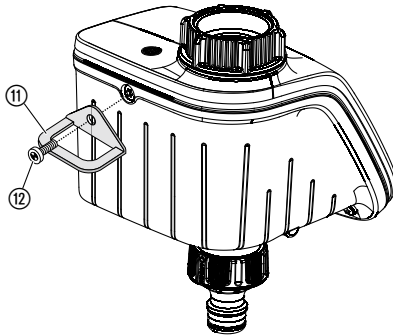
The Water Control is fitted with a sleeve nut ⑨ for taps with (G 1") (33.3 mm) thread. The adaptor supplied ⑧ allows the Water Control to be connected to taps with a (G 3/4") (26.5 mm) thread.

1. For tap with a G 3/4" (26.5 mm) thread:

- Screw adaptor ⑧ on to the tap manually (do not use pliers).
- Screw sleeve nut ⑨ of the Water Control on to the adaptor thread by hand (do not use pliers).
- Screw tap connector ⑩ on to the Water Control.

To fit anti-theft device (optional):

To secure your Water Control against theft, you can obtain the GARDENA Anti-theft device Art. 1815-00.791.00 from GARDENA Service.



1. Screw clamp ⑪ with screw ⑫ firmly to the back of the Water Control.
2. Use clamp ⑪ e.g. for fixing a chain.

It is no longer possible to remove the screw after it has been screwed in.

4. OPERATION

Operation with the GARDENA smart system App:

You can use the **GARDENA smart system app** to control all smart system products from anywhere at any time. You can download the free **GARDENA smart system app** from the Apple App Store or from the Google Play Store.

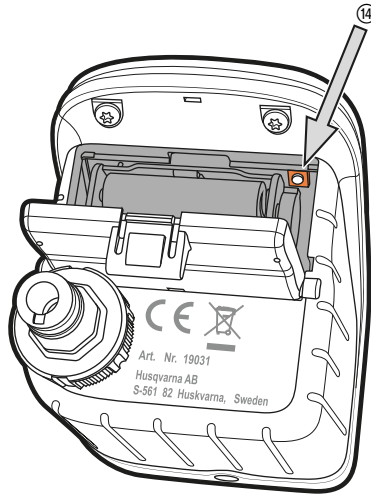
In order to include, a smart Gateway with internet connectivity is needed. All GARDENA smart products are integrated via the app. Follow the instructions inside the App.

Settings of the Water Control:

- According to the timings in the smart system App:
Watering days, start, duration
- As required in the smart system App:
Start and finish
- Manual operation at the water control

Factory Reset:

The smart Water Control will be reset to the factory settings.

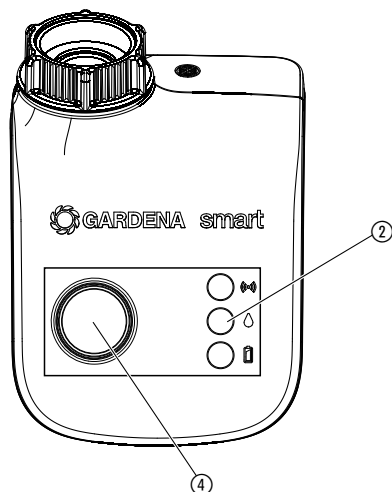


→ Push the Reset key ⑭ for a short time.
New connection.

- or -

→ Push and hold down the Reset key ⑭ for at least 5 seconds.
 Cancels the existing connection and allows a new connection to be established, e. g. different Gateway.

Manual operation by Water Control:



The valve can be opened or closed manually at any time (manual watering is only not possible during integration mode). A program-controlled open valve can also be closed early without changing the program data.

1. Press **Man.**-button ④ to open the valve manually (or to close an open valve).

*The **LED Active Watering** ② is lighting green for 10 sec.*

2. Press **Man.**-button to close the valve early.

If the Water Control is in “Sleep Mode”, press the **Man.**-button 2 times.

The watering duration (0 to 59 min.) is according to the parameter of the GARDENA smart system App.

If a program-controlled watering has been stopped manually, this program-controlled watering cannot start again.

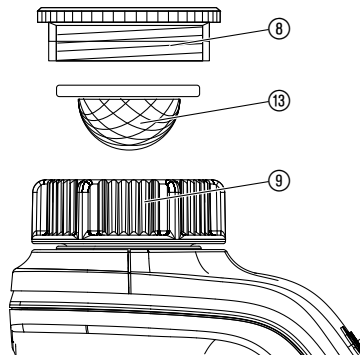
If the valve has been opened manually and a programmed start of a watering period overlaps the manual opening period, the programmed starting time is suppressed.

Example:

The valve is opened at 9.00 a.m. manually, the opening period is 30 minutes. A program with a start time (**START**) between 9.00 and 9.30 a.m. will not be undertaken in this case.

5. MAINTENANCE

To clean the filter:



The filter ⑬ should be checked regularly and cleaned when necessary.

1. Unscrew sleeve nut ⑨ of the Water Control by hand from the tap thread (do not use pliers).
2. If necessary unscrew the adaptor ⑧.
3. Remove filter ⑬ from sleeve nut ⑨ and clean.
4. Fit the Water Control again (see 3. INITIAL OPERATION “To connect the Water Control”).

To clean Water Control:

No caustic/abrasive cleaning agents should be used.

→ **Clean Water Control with a damp cloth (do not use solvent).**

6. STORAGE

To put into storage:

The product must be stored away from children.

1. To preserve the batteries, these should be removed (see 3. INITIAL OPERATION).
2. Stow the Water Control in a dry area where it has protection from frost.

Disposal:

(in accordance with RL2012/19/EC)



The product must not be disposed of to normal household waste. It must be disposed of in line with local environmental regulations.

IMPORTANT!

Dispose of the product through or via your municipal recycling collection centre.

Disposing of flat batteries:

Please return flat batteries to a GARDENA dealer or dispose of them properly at your nearest recycling centre.

Only dispose of batteries when they are flat.

7. TROUBLESHOOTING

Problem	Possible Cause	Remedy
No LED-display appears	Batteries inserted incorrectly.	→ Check polarity markings match (+/-).
	Flat batteries.	→ Insert new (alkaline) batteries.
Manual watering is not possible using the Man. button	Water Control in Sleep Mode.	→ Press Man. button.
	Batteries flat (LED Batterie display lights red).	→ Insert new (alkaline) batteries.
	Tap turned off.	→ Turn tap on.
Watering program is not being undertaken (no watering)	Valve was opened manually previously.	→ Avoid possible program overlaps.
	Tap turned off.	→ Turn tap on.
	Batteries flat (LED Batterie display lights red).	→ Insert new (alkaline) batteries.
Water Computer does not close	Minimum quantity of water drawn is less than 20 l/h.	→ Connect more drip heads.



NOTE: For any other malfunctions please contact the GARDENA service department. Repairs must only be done by GARDENA service departments or specialist dealers approved by GARDENA.

8. TECHNICAL DATA

<i>smart Water Control</i>	Unit	Value (Art. 19031-20)
Operation temperature range (outdoors)	°C	5 – 50
SRD:		
Frequency range	MHz	863 – 870
Maximum power	mW	25
Free field radio range (approx.)	m	100
Min./max. operating pressure	bar	0.5 / 12
Flow medium		Clear fresh water
Max. liquid temperature	°C	40
Batteries required		3 x alkalimanganese (alkaline) batteries type LR6 (AA) Mignon
Operating time of the batteries		approx. 6 months with alkaline batteries (min. 2000 mAh)

EC Declaration of Conformity:

Hereby, GARDENA Manufacturing GmbH declares that the radio equipment type (smart Water Control Art. 19031) is in compliance with directive 2014/53/EU.

The full text of the EC declaration of conformity is available at the following internet address:

<http://www.gardena.com/int/support/safety-regulations>

9. ACCESSORIES

GARDENA Anti-theft device

**Art. 1815-00.791.00
(from GARDENA Service)**

10. SERVICE/WARRANTY

Service:

Please contact the address on the back page.

Warranty:

In the event of a warranty claim, no charge is levied to you for the services provided.

GARDENA Manufacturing GmbH offers a 2-year warranty for this product (from the date of purchase) if the product has been used exclusively for private purposes. This manufacturer's warranty does not apply to used products purchased from a secondary market. This warranty includes all significant defects of the product that can be proved to be material or manufacturing faults. This warranty is fulfilled by supplying a fully functional replacement product or by repairing the faulty product sent to us free of charge; we reserve the right to choose between these options. This service is subject to the following provisions:

- The product was used for its intended purpose as per the recommendations in the operating instructions.
- Neither the purchaser nor a third party has attempted to repair the product.
- Only original GARDENA spare and wear parts were used.

Normal wear and tear of parts and components, optical changes, as well as wear parts and consumables, are excluded from the warranty.

This manufacturer's warranty does not affect warranty entitlements against the dealer/retailer.

If problems arise with this product, please contact our Service department. In the event of a warranty claim, please send the defective product together with a copy of the purchase receipt and a description of the defect, sufficiently stamped, to the GARDENA service address on the back page.

Faults which occur as a result of incorrectly installed or leaking batteries are not covered by the guarantee.

Damage caused by frost is not covered by the warranty.

Product liability:

In accordance with the German Product Liability Act, we hereby expressly declare that we accept no liability for damage incurred from our products where said products have not been properly repaired by a GARDENA approved service partner or where original GARDENA parts or parts authorised by GARDENA were not used.

Deutschland / Germany

GARDENA
Manufacturing GmbH
Central Service
Hans-Lorenser-Straße 40
D-39079 Ulm
Produktfragen:
(+49) 731 490-123
Reparaturen:
(+49) 731 490-290
service@gardena.com

Albania

COBALT Sh.p.k.
Rr. Siri Kodra
1000 Tirana

Argentina

Husqvarna Argentina S.A.
Av.del Libertador 5954 –
Piso 11 – Torre B
(C1428ARP) Buenos Aires
Phone: (+54) 11 5194 5000
info.gardena@
ar.husqvarna.com

Armenia

Garden Land Ltd.
61 Tigran Mets
0005 Yerevan

Australia

Husqvarna Australia Pty. Ltd.
Locked Bag 5
Central Coast BC
NSW 2252
Phone: (+61) (0) 2 4352 7400
customer.service@
husqvarna.com.au

Austria / Österreich

Husqvarna Austria GmbH
Industriezeile 36
4010 Linz
Tel.: (+43) 732 77 01 01-485
service.gardena@
husqvarnagroup.com

Azerbaijan

Firm Progress
a. Aliyev Str. 26A
1052 Bakur

Belgium

Husqvarna België nv/sa
Gardena Division
Rue Egide Van Opheim 111
1180 Uccle / Ukkel
Tel.: (+32) 2 720 92 12
info@gardena.be

Bosnia / Hercegovina

SILK TRADE d.o.o.
Industrijska zona Bukva bb
74260 Tešanj

Brazil

Husqvarna do Brasil Ltda
Av. Francisco Matarazzo,
1400 – 19º andar
São Paulo – SP
CEP: 05001-903
Tel: 0800-112252
marketing.br.husqvarna@
husqvarna.com.br

Bulgaria

AGROLAND България АД
бул. 8 Декември, №13
Офис 5
1700 Студентски град
София
Тел.: (+359) 246669 10
info@agroland.eu

Canada / USA

GARDENA Canada Ltd.
100 Summerlea Road
Brampton, Ontario L6T 4X3
Phone: (+1) 905 792 9330
info@gardenacanada.com

Chile

Maquinarias Agrofloreales
Ltda. (Maga Ltda.)
Santiago, Chile
Avda. Chesterton
8355 comuna Las Condes
Phone: (+56) 2 202 4417
Dalon@maga.cl
Zipcode: 7560330

China

Husqvarna (Shanghai)
Management Co., Ltd.
富世华 (上海) 管理有限公司
3F, Benq Square B,
No207, Song Hong Rd.,
Chang Ning District,
Shanghai, PRC. 200335
上海市长宁区淞虹路207号明
基广场B座3楼, 邮编: 200335

Colombia

Husqvarna Colombia S.A.
Calle 18 No. 68 D-31, zona
Industrial de Montevideo
Bogotá, Cundinamarca
Tel. 571 2922700 ext. 105
jairo.salazar@
husqvarna.com.co

Costa Rica

Compania Exim
EuroIberoamericana S.A.
Los Colegios, Moravia,
200 metros al Sur del Colegio
Saint Francis – San José
Phone: (+506) 297 6883
exim_euro@racsa.co.cr

Croatia

Husqvarna Austria GmbH
Industriezeile 36
4010 Linz
Tel.: (+43) 732 77 01 01-485
service.gardena@
husqvarnagroup.com

Cyprus

Med Marketing
17 Digeni Akritia Ave
P.O. Box 27017
1641 Nicosia

Czech Republic

Husqvarna Česko s.r.o.
Türkova 2319/5b
149 00 Praha 4 – Chodov
Bezplatná infolinika:
800 100 425
servis@cz.husqvarna.com

Denmark

GARDENA DANMARK
Lejrevj 19, st.
3500 Værløse
Tlf.: (+45) 70264770
husqvarna@husqvarna.dk
www.gardena.com/dk

Dominican Republic

BOSQUESA, S.R.L
Carretera Santiago Licey
Km. 5 ½
Esquina Copal II.
Santiago
Dominican Republic
Phone: (+809) 736-0333
joserbosquesa@claro.net.do

Ecuador

Husqvarna Ecuador S.A.
Arupos E1-181 y 10 de
Agosto Quito, Pichincha
Tel. (+593) 22800739
francisco.jacom@
husqvarna.com.ec

Estonia

Husqvarna Eesti OÜ
Valdeku 132
EE-11216 Tallinn
info@gardena.ee

Finland

Oy Husqvarna Ab
Gardena Division
Lauttarhankatu 8/B /PL 3
00581 HELSINKI
www.gardena.fi

France

Husqvarna France
9/11 Allée des pierres mayettes
92635 Gennevilliers Cedex
France
http://www.gardena.com/fr
N° AZUR: 0 810 00 78 23
(Prix d'un appel local)

Georgia

Transporter LLC
8/57 Bellashvili street
0159 Tbilisi, Georgia
Phone: (+995) 322 14 71 71

Great Britain

Husqvarna UK Ltd
Preston Road
Aycliffe Industrial Park
Newton Aycliffe
County Durham
DL5 6UP
info.gardena@
husqvarna.co.uk

Greece

Π.ΠΑΠΑΔΟΠΟΥΛΟΣ ΑΕΒΕ
Λεωφ. Αθηνών 92
Αθήνα
T.K.104 42
Ελλάδα
Τηλ. (+30) 210 51 93 100
info@papadopoulos.com.gr

Hungary

Husqvarna Magyarország Kft.
Ezred u. 1 - 3
1044 Budapest
Telefon: (+36) 1 251-4161
vevoszolgalat.husqvarna@
husqvarna.hu

Iceland

O. Johnson & Kaaber
Tunguhalsi 1
110 Reykjavik
ooj@ojk.is

Ireland

Husqvarna UK Ltd
Preston Road
Aycliffe Industrial Park
Newton Aycliffe
County Durham
DL5 6UP
info.gardena@
husqvarna.co.uk

Italy

Husqvarna Italia S.p.A.
Via Santa Veschia 15
23868 VALMADRERA (LC)
Phone: (+39) 0341.203.111
assistenza.italia@
it.husqvarna.com

Japan

KAKUICHI Co. Ltd.
Sumitomo Realty &
Development Kojimachi
BLDG., 8F
5-1 Nibanencho
Chiyoda-ku
Tokyo 102-0084
Phone: (+81) 33 264 4721
m_ishihara@kaku-ichi.co.jp

Kazakhstan

LAMED Ltd.
155/1, Tazhibayevoy Str.
050060 Almaty
IP Schmidt
Abayaveye 3B
110 005 Kostanay

Korea

Kyung Jin Trading Co.,LTD.
107-4, SunDuk Bld.,
YangJae-dong,
Seocho-gu,
Seoul, (zipcode: 137-891)
Phone: (+82) (0)2 574-6300

Kyrgyzstan

Alye Maki
av. Molodaya Guardir J 3
720014
Bishkek

Latvia

Husqvarna Latvija SIA
Ulbrokas 19A
LV-1021 Riga
info@gardena.lv

Lithuania

UAB Husqvarna Lietuva
Atleities pl. 77C
LT-122104 Kaunas
info@gardena.lt

Luxembourg

Magasins Jules Neuberg
39, rue Jacques Stas
Luxembourg-Gasperich 2549
Case Postale No. 12
Luxembourg 2010
Phone: (+352) 40 14 01
api@neuberg.lu

Mexico

AFOSA
Av. Lopez Mateos Sur # 5019
Col. La Calma 45070
Zapopan, Jalisco
Mexico
Phone: (+52) 33 3818-3434
icornejo@afosa.com.mx

Moldova

Convel S.R.L.
2900 Muncestri Str.
2002 Chisinau

Netherlands

Husqvarna Nederland B.V.
GARDENA Division
Postbus 50131
1305 AC ALMERE
Phone: (+31) 36 521 00 10
info@gardena.nl

Neth. Antilles

Jonka Enterprises N.V.
Sta. Rosa Weg 196
P.O. Box 8200
Curaçao
Phone: (+599) 9 767 66 55
pgm@jonka.com

New Zealand

Husqvarna New Zealand Ltd.
PO Box 76-437
Manukau City 2241
Phone: (+64) (0) 9 9202410
support.nz@husqvarna.co.nz

Norway

Husqvarna Norge AS
Gardena Division
Trøskeneveien 36
1708 Sarpsborg
info@gardena.no

Peru

Husqvarna Perú S.A.
Dr. Ramón Cárcamo 710
Lima 1
Tel: (+51) 1 3320400 ext. 416
juan_remujo@
husqvarna.com

Poland

Husqvarna
Poland Spółka z o.o.
ul. Wysockiego 15 b
03-371 Warszawa
Phone: (+48) 22 330 96 00
gardena@husqvarna.com.pl

Portugal

Husqvarna Portugal, SA
Lagoa - Albarraque
2635 - 595 Rio de Mouro
Tel.: (+351) 21 922 85 30
Fax: (+351) 21 922 85 36
info@gardena.pt

Romania

Madex International Srl
Soseaua Odaii 117-123,
RO 013603 Bucuresti, S 1
Phone: (+40) 21 352.763
madex@ines.ro

Russia / Россия

ООО «Хускварна»
141400, Московская обл.,
г. Химки,
улица Ленинградская,
владение 39, стр.6
Бизнес Центр
„Химки Бизнес Парк“,
помещение 0802.24
http://www.gardena.ru

Serbia

Domel d.o.o.
Autoput za Novi Sad bb
11273 Belgrad
Phone: (+381) 1 18 48 98 12
miroslav.jejina@domel.rs

Singapore

Hy-Ray PRIVATE LIMITED
40 Jalan Pemimpin
#02-08 Tat Ann Building
Singapore 577185
Phone: (+65) 6253 2277
shying@hyray.com.sg

Slovak Republic

Husqvarna Česko s.r.o.
Türkova 2319/5b
149 00 Praha 4 – Chodov
Bezplatná infolinika:
800 154 044
servis@sk.husqvarna.com

Slovenia

Husqvarna Austria GmbH
Industriezeile 36
4010 Linz
Tel.: (+43) 732 77 01 01-485
service.gardena@
husqvarnagroup.com

South Africa

Husqvarna
South Africa (Pty) Ltd
Postnet Suite 250
Private Bag X6,
Cascades, 3202
South Africa
Phone: (+27) 33 846 9700
info@gardena.co.za

Spain

Husqvarna España S.A.
Calle de Rivas nº 10
28052 Madrid
Phone: (+34) 91 708 05 00
atencioncliente@gardena.es

Suriname

Agrofix n.v.
Verlengde Hogestraat #22
Phone: (+597) 472426
agrofix@sr.net
Pobox : 2006
Paramaribo

Sweden – South America**Sweden**

Husqvarna AB
Gardena Division
S-561 82 Huskvarna
gardenaorder@husqvarna.se

Switzerland / Schweiz

Husqvarna Schweiz AG
Consumer Products
Industriestrasse 10
5506 Mägenwil
Phone: (+41) (0) 62 887 37 90
info@gardena.ch

Turkey

Dost Bahçe Diş Ticaret
Müesseslikliş A.Ş.
Yunus Mah. Adli Sok. No:3
Ic Kapı No: 1 Kartal
34873 Istanbul
Phone: (+90) 216 3893939
info@dostbahce.com.tr

Ukraine / Україна

ТОВ «Хускварна Україна»
вул. Васильківська, 34,
офіс 204-р
03022, м. Київ
Тел. (+38) 044 498 39 02
info@gardena.ua

Uruguay

FELISA
Entre Rios 1083 CP 11800
Montevideo – Uruguay
Tel: (+598) 22 03 18 44
info@felisa.com.uy

Venezuela

Corporación Casa y Jardín C.A.
Av. Caroni, Edif. Tрезmen, P.B.
Colinas de Bello Monte.
1050 Caracas
Tlf: (+58) 212 992 33 22
info@casayjardin.net.ve

19031-20.961.04/0618
© GARDENA
Manufacturing GmbH
D-89070 Ulm
http://www.gardena.com