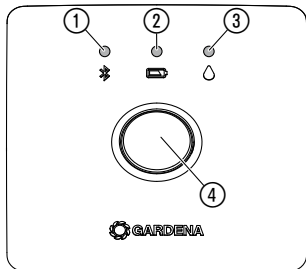
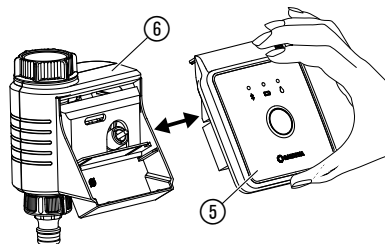
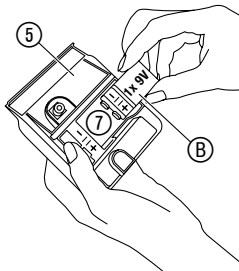
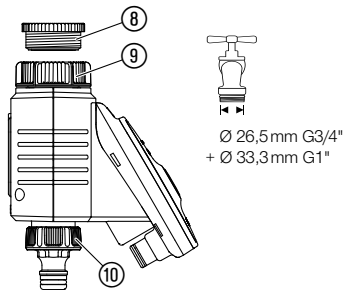
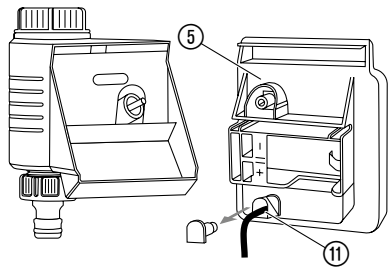
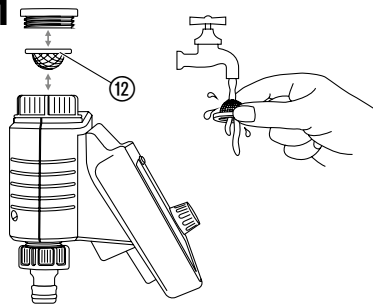


EN Operation Instructions
Water Control Bluetooth®

Art. 1889

F1**I1****I2****I3**

I4**M1**

GARDENA Water Control Bluetooth®

1. SAFETY	14
2. FUNCTION	16
3. INITIAL OPERATION	16
4. OPERATION	17
5. MAINTENANCE	18
6. STORAGE	18
7. TROUBLESHOOTING	19
8. TECHNICAL DATA	20
9. ACCESSORIES	21
10. SERVICE/WARRANTY	21

supervised to ensure that they do not play with the product. Never operate the product when you are tired, ill or under the influence of alcohol, drugs or medicine.

Intended use:

The **GARDENA Water Control** is intended for private use in domestic and hobby gardens, exclusively for outdoor use, to control sprinklers and watering systems. The **GARDENA Water Control** can be used for automatic watering during holidays.

The **Water Control Bluetooth® Art. 1889** forms part of an irrigation system in conjunction with the **Bluetooth® App**.

Translation of the original instructions.



For safety reasons, children and young people under 16 as well as anyone who is not familiar with these operating instructions should not use the product. Persons with reduced physical or mental abilities may use the product only if they are supervised or instructed by a responsible person. Children must be



DANGER! Risk of physical injury!

The GARDENA Water Control must not be used for industrial purposes or in conjunction with chemicals, foodstuffs, easily flammable and explosive materials.

1. SAFETY

IMPORTANT!

Read the operator's manual carefully before use and keep for future reference.

Battery:

To ensure the Water Control runs safely, only a 9 V alkaline manganese battery (alkaline) type IEC 6LR61 must be used!



CAUTION!

Rechargeable batteries should not be used, otherwise the operating period of 1 year cannot be guaranteed!

In order to stop the Water Control from failing because of a weak battery if you are away for a long time, the battery must be replaced when the battery symbol illuminates yellow.

Regularly examine the batteries for damage.

Do not use damaged batteries.

Keep damaged batteries out of the reach of children.

Setting up:

The Water Control may only be set up vertically with the sleeve nut to the top to prevent water penetrating into the battery compartment.

The minimum water output to ensure that the Water Control functions correctly is 20 – 30 l/h. For example, at least 10 x 2-litre Drip Heads are required to control the Micro-Drip-System.

The max. temperature for the water flow is 40 °C.

Avoid tensile strain.

→ Do not pull the hose connected to the Water Control.



CAUTION!

If the control section is removed when the valve is open, the valve remains open until the control section is reattached.



DANGER! Cardiac arrest!

This product makes an electromagnetic field while it operates. This field may under some conditions interfere with active or passive medical implants. To decrease the risk of conditions that can possibly injure or kill, we recommend persons with medical implants to speak with their physician and the medical implant manufacturer before you operate the product.



DANGER! Risk of suffocation!

Small parts can be easily swallowed. There is also a risk that the polybag can suffocate toddlers. Keep toddlers away when you assemble the product.

2. FUNCTION

Water Control:

The **GARDENA Water Control Bluetooth®** is configured automatically with the **GARDENA Bluetooth® App**.

The Water Control carries out watering automatically according to the set program and can therefore also be used during holidays.

Controls/Display [Fig. F1]:

- ① **LED Connection display/Signal:**
Blue flashing for 3 min.: While connection
Blue lightning for 10 sec: Successfully connected
- ② **LED Battery display:**
Green lightning: Capacity up to 1 year

Yellow lightning:

Red flashing:

Red lightning:

Capacity min. 4 weeks
 Capacity max. 4 weeks
 Battery flat, valve no longer opens. A valve opened will also close again if the battery is flat.

The battery display is reset when the batteries are changed.

- ③ **LED Active watering:**
Green lightning for 10 seconds.

- ④ **Man. Button:**

A single push on the **Man. Button** activates the status request and the battery status is displayed for 10 sec. A second push activates manual watering.

3. INITIAL OPERATION

To operate with the GARDENA Bluetooth® App:

You can use the free **GARDENA Bluetooth® app** to control the **GARDENA Water Control Bluetooth®** at any time. It can be downloaded from the Apple App Store or from the Google Play Store.

- As required in the Bluetooth® App:
Start and finish
- As required on the Water Control:
Start and stop

To Insert the battery [Fig. I1/I2]:

The battery is not included in the scope of delivery.

The operating period is approx. 1 year. The operating period can vary depending on ambient temperature and transmission frequency.

Settings of the Irrigation Valve:

- According to the timings in the Bluetooth® App:
Watering start, duration, days

1. Remove the control unit ⑤ from the valve unit ⑥.
2. Place the battery ⑧ in the battery compartment ⑦ (note the polarity +/–).
The connection LED is flashing.
3. Push the control unit ⑤ back onto the valve unit ⑥.

To connect the Water Control [Fig. I3]:

The Water Control is fitted with a sleeve nut ⑨ for taps with G 1" (33.3 mm) thread. The adaptor supplied ⑧ allows the Water Control to be connected to taps with a (G 3/4") thread (26.5 mm).

1. **For a tap with a G 3/4" (26.5 mm) thread:**
Screw the adaptor ⑧ onto the tap manually (do not use pliers).

2. Screw the sleeve nut ⑨ of the Water Control onto the adaptor thread by hand (do not use pliers).
3. Screw the tap connector ⑩ onto the Water Control.

To connect the Soil Moisture Sensor (optional) [Fig. I4]:

In addition to time-dependent control, it is also possible to include soil moisture.

If the soil moisture is sufficient, irrigation is stopped or skipped.

1. Place the Soil Moisture Sensor in the area to be irrigated.
2. Plug the connector ⑪ into the sensor socket of the Control Unit ⑤.

4. OPERATION

Manual operation by the Water Control [Fig. F1]:

The valve can be opened or closed manually at any time. Even a time-controlled open valve can be closed earlier without changing the schedules.

If the Water Control is in "Sleep Mode", push the **Man. Button** 2 times.

1. Push the **Man. Button** to open the valve manually (or to close an open valve).
The LED Active Watering ③ is lighting green for 10 sec.
2. Push the **Man. Button** to close the valve early.

The watering duration is according to the parameter of the **GARDENA Bluetooth® App**.

If a time controlled watering has been stopped manually, this watering cannot start again.

If the valve has been opened manually and a programmed start of a watering period overlaps the manual opening period, the programmed starting time is suppressed.

Factory Reset [Fig. I1/F1]:

The Water Control Bluetooth® will be reset to the factory settings.

1. Remove the battery ⑥.
2. Push and hold the **Man. Button** ④ and place the battery ⑥ in the battery compartment ⑦ (note the polarity +/–).

3. Push and hold the **Man. Button** ④ for another 10 seconds.

After approx. 10 seconds the factory setting is restored and the connection LED is flashing.

5. MAINTENANCE

To clean the filter [Fig. M1]:

The filter ⑫ should be checked regularly and cleaned when necessary.

To clean the Water Control:

DANGER! Risk of physical injury!

Risk of injury and risk of damage to the product.

→ **Do not clean the product with water or with a water jet (in particular high-pressure water jet).**

→ **Do not clean with chemicals including petrol or solvents. Some can destroy critical plastic parts.**

→ Clean the Water Control with a soft, damp cloth.

6. STORAGE

To put into storage:

The product must be stored away from children.

1. Remove the battery to preserve it (see 3. Initial Operation).
2. Store the Water Control in a dry, enclosed and frost-free place.

Disposal:

(in accordance with RL2012/19/EC)



The product must not be disposed of to normal household waste. It must be disposed of in line with local environmental regulations.

IMPORTANT!

→ Dispose of the product through or via your municipal recycling collection centre.

Disposal of the battery:

The battery may only be disposed of when discharged.

IMPORTANT!

→ Dispose of the battery through or via your municipal recycling collection centre.

7. TROUBLESHOOTING

In case of malfunctions you will find the FAQ at this address:

www.gardena.com/de/bluetooth/faq

Problem	Possible Cause	Remedy
No LED-display appears	Battery is inserted incorrectly.	→ Batteries inserted incorrectly.
	Battery is completely empty.	→ Replace the battery.
Manual watering is not possible using the Man. Button	Water Control is in Sleep Mode	→ Push the Man. Button again.
	Battery is empty (LED Battery display lights red).	→ Replace the battery.
	Tap is closed.	→ Open the tap.
Schedule is not executed (no watering)	Valve was previously opened manually.	→ Avoid possible overlaps.
	Battery is empty (LED Battery display lights red).	→ Replace the battery.
	Tap is closed.	→ Open the tap.

Problem	Possible Cause	Remedy
Water Control does not close	Minimum quantity of water drawn is less than 20 l/h.	→ Connect more drip heads.



NOTE: For any other malfunctions please contact the GARDENA service department. Repairs must only be done by GARDENA service departments or specialist dealers approved by GARDENA.

8. TECHNICAL DATA

<i>Water Control Bluetooth®</i>	Unit	Value (Art. 1889)
Operation temperature range (outdoors)	°C	5 – 50
SRD		
Frequency range	GHz	2,402 – 2,480
Maximum power	mW	10
Free field radio range (approx.)	m	25
Min./max. operating pressure	bar	0,5 / 12
Flow medium		Clear fresh water
Battery required		1 x 9 V alkaline manganese Typ IEC 6LR61
Operating time of the battery (approx.)	a	1

EC Declaration of Conformity

Hereby, GARDENA Manufacturing GmbH declares that the radio equipment type (Art. 1889) is in compliance with directive 2014/53/EU.

The full text of the EC declaration of conformity is available at the following internet address:

<http://www.gardena.com/int/support/safety-regulations>

9. ACCESSORIES

GARDENA Soil Moisture Sensor	For irrigation depending on the soil moisture.	Art. 1867
GARDENA Anti-theft device	To prevent theft of the Water Control	Art. 1815-00.791.00 (from GARDENA Service)

10. SERVICE/WARRANTY

Service:

Please contact the address on the back page.

Warranty statement:

The manufacturer's warranty can be viewed at:

www.gardena.com/warranty or

Phone number +49 731 4903773

This manufacturer's warranty is limited to replacement and repair of products in accordance with the abovementioned conditions. The manufacturer's warranty does not constitute an entitlement to lodge other claims against us as a manufacturer, such as for damages. This manufacturer's warranty does not, of course, affect statutory and contractual warranty claims against the dealer/retailer.

The manufacturer's warranty is governed by the law of the Federal Republic of Germany.

Trademark Attribution Footnote

The Bluetooth® word mark and logos are registered trademarks owned by Bluetooth SIG, Inc. and any use of such

marks by GARDENA is under license. Other trademarks and trade names are those of their respective owners.

Product liability

In accordance with the German Product Liability Act, we hereby expressly declare that we accept no liability for damage incurred from our products where said products

have not been properly repaired by a GARDENA-approved service partner or where original GARDENA parts or parts authorised by GARDENA were not used.

Deutschland / Germany

GARDENA Manufacturing GmbH
Central Service
Hans-Lorenser-Straße 40
D-89079 Ulm
Produktfragen: (+49) 731 490-123
Reparaturen: (+49) 731 490-290
service@gardena.com
http://www.gardena.com

Albania

KRAFT SHPK
Autostrada Tirane-Durrës
Km 7
1051 Tirane

Argentina

ROBERTO C. RUMBO S.R.L.
Predio Norlog
Lote 7
Benavidez, ZC: 1621
Buenos Aires
ventas@rumbosrl.com.ar

Australia

Husqvarna Australia Pty. Ltd.
Locked Bag 5
Central Coast BC
NSW 2252
Phone: (+61) (0) 2 4352 7400
customer.service@
husqvarna.com.au

Austria / Österreich

Husqvarna Austria GmbH
Industriezeile 36
4010 Linz
Tel.: (+43) 732 77 01 01-485
service.gardena@
husqvarnagroup.com

Azerbaijan

Firm Progress
a. Aliyev Str. 26A
1052 Baku

Belarus

Private Enterprise
"Master Garden"
Minsk
Sharangovich str., 7a
Phone: (+375) 17 257-00-33
Mob.: (+375) 29 676-16-09
mg@mastergarden.by

Belgium

Husqvarna Belgium nv
Gardena Division
Leuvensesteenweg 542
Planet II E
1930 Zaventem
België

Bosnia / Herzegovina

SILK TRADE d.o.o.
Industrijska zona Bukva bb
74260 Tešanj

Brazil

Husqvarna do Brasil Ltda
Av. Francisco Matarazzo,
1400 – 19ª andar
São Paulo – SP
CEP: 05001-903
Tel: 0800-112252
marketing.br.husqvarna@
husqvarna.com.br

Bulgaria

AGROLAND България АД
бул. 8 Декември, № 13
Офис 5
1700 Студентски град
София
Tel.: (+359) 2466 6910
info@agroland.eu

Canada / USA

GARDENA Canada Ltd.
100 Summerlea Road
Brampton, Ontario L6T 4X3
Phone: (+1) 905 792 93 30
info@gardenacanada.com

Chile

REPRESENTACIONES
JCE S.A.
Av. Del Valle Norte 857,
Piso 4
Santiago RM
Phone: (+56) 21 244142560
contacto@jce.cl

China

Husqvarna (Shanghai)
Management Co., Ltd.
富世华 (上海) 管理有限公司
3F, Benq Square B,
No207, Song Hong Rd.,
Chang Ning District,
Shanghai, PRC. 200335
上海市长宁区淞虹路207号明
基广场B座3楼, 邮编: 200335

Colombia

Husqvarna Colombia S.A.
Calle 18 No. 68 D-31, zona
Industrial de Montevideo
Bogotá, Cundinamarca
Tel. 571 2922700 ext. 105
jairo.salazar@husqvarna.com.co

Costa Rica

Compania Exim
Euroiberamericana S.A.
Los Colegios, Moravia,
200 metros al Sur del Colegio
Saint Francis – San José
Phone: (+506) 297 68 83
exim_euro@racsa.co.cr

Croatia

Husqvarna Austria GmbH
Industriezeile 36
4010 Linz
Tel.: (+43) 732 77 01 01-485
service.gardena@
husqvarnagroup.com

Cyprus

Med Marketing
17 Digeni Akrita Ave
P.O. Box 27017
1641 Nicosia

Czech Republic

Husqvarna Česko s.r.o.
Türkova 2319/5b
149 00 Praha 4 – Chodov
Bezplatná infolinka :
800 100 425
servis@cz.husqvarna.com

Denmark

GARDENA DANMARK
Lejrevej 19, st.
3500 Værløse
Tlf.: (+45) 70 26 47 70
husqvarna@husqvarna.dk
www.gardena.com / dk

Dominican Republic

BOSQUESA, S.R.L
Carretera Santiago Licey
Km. 5 ½
Esquina Copal II.
Santiago
Dominican Republic
Phone: (+809) 736-0333
joserbosquesa@claro.net.do

Ecuador

Husqvarna Ecuador S.A.
Arupos E1-181 y 10 de
Agosto Quito, Pichincha
Tel. (+593) 22800739
francisco.jacome@
husqvarna.com.ec

Estonia

Husqvarna Eesti OÜ
Valdeku 132
EE-11216 Tallinn
info@gardena.ee

Finland

Oy Husqvarna Ab
Gardena Division
Lautatarhankatu 8 B / PL 3
00581 HELSINKI
www.gardena.fi

France

Husqvarna France
9/11 Allée des pierres mayettes
92635 Gennevilliers Cedex
France
http://www.gardena.com/ fr
N° AZUR: 0 810 00 78 23
(Prix d'un appel local)

Georgia

Transporter LLC
113b Beshlavili street
0159 Tbilisi, Georgia

Great Britain

Husqvarna UK Ltd
Preston Road
Aycliffe Industrial Park
Newton Aycliffe
County Durham
DL5 6UP
info.gardena@husqvarna.co.uk

Greece

Π.ΠΑΠΑΔΟΠΟΥΛΟΣ ΑΕΒΕ
Λεωφ. Αθηνών 92
Αθήνα
T.K.104 42
Ελλάδα
Τηλ. (+30) 210 5193100
info@papadopoulos.com.gr

Hungary

Husqvarna Magyarországi Kft.
Ezred u. 1-3
1044 Budapest
Telefon: (+36) 1 251-4161
vevoszolgalat.husqvarna@
husqvarna.hu

Iceland

BYKO ehf.
Bildshófa 20
110 Reykjavik

Ireland

Husqvarna UK Ltd
Preston Road
Aycliffe Industrial Park
Newton Aycliffe
County Durham
DL5 6UP
info.gardena@husqvarna.co.uk

Italy

Husqvarna Italia S.p.A.
Via Santa Vecchia 15
23868 VALMADRERA (LC)
Phone: (+39) 0341.203.111
assistenza.italia@it.husqvarna.com

Japan
Husqvarna Zenoah Co., Ltd.
1-9 Minamidai
Kawagoe
350-1165 Saitama
gardena-jp@husqvarnagroup.com

Kazakhstan
LAMED Ltd.
155/1, Tazhibayevoi Str.
050060 Almaty
IP Schmidt
Abayavenue 3B
110 005 Kostanay

Korea
Kyung Jin Trading CO.,LTD.
107-4, SunDuk Bid.,
YangJae-dong,
Secho-gu,
Seoul, (zipcode: 137-891)
Phone: (+82) (0)2 574-6300

Latvia
Husqvarna Latvija SIA
Ulbrokas 19A
LV-1021 Riga
info@gardena.lv

Lithuania
UAB Husqvarna Lietuva
Ateities pl. 77C
LT-52104 Kaunas
info@gardena.lt

Luxembourg
Magasins Jules Neuberg
39, rue Jacques Stas
Luxembourg-Gasperich 2549
Case Postale No. 12
Luxembourg 2010
Phone: (+352) 40 14 01
api@neuberg.lu

Mexico
AFOSA
Av. Lopez Mateos Sur # 5019
Col. La Calma 45070
Zapopan, Jalisco, Mexico
Phone: (+52) 33 3818-3434
icornejo@afosa.com.mx

Moldova
Convel S.R.L.
290A Muncetti Str.
2002 Chisinau

Netherlands
Husqvarna Nederland B.V.
GARDENA Division
Postbus 50131
1305 AC ALMERE
Phone: (+31) 36 521 00 10
info@gardena.nl

Neth. Antilles
Jonka Enterprises N.V.
Sta. Rosa Weg 196
P.O. Box 8200
Curaçao
Phone: (+599) 9 767 66 55
pgm@jonka.com

New Zealand
Husqvarna New Zealand Ltd.
PO Box 76-437
Manukau City 2241
Phone: (+64) (0) 9 9202410
support.nz@husqvarna.co.nz

Norway
Husqvarna Norge AS
Gardena Division
Trøskenveien 36
1708 Sarpsborg
info@gardena.no

Peru
Husqvarna Perú S.A.
Jr. Ramón Cárcamo 710
Lima 1
Tel: (+51) 1 3320400 ext. 416
juan.remuzgo@husqvarna.com

Poland
Husqvarna Poland Spółka z o.o.
ul. Wysockiego 15 b
03-371 Warszawa
Phone: (+48) 22 330 96 00
gardena@husqvarna.com.pl

Portugal
Husqvarna Portugal, SA
Lagoa - Albarraque
2635 - 595 Rio de Mouro
Tel.: (+351) 21 922 85 30
Fax : (+351) 21 922 85 36
info@gardena.pt

Romania
Madex International Srl
Soseaua Odaiei 117 - 123,
RO 013603 București, S1
Phone: (+40) 21 352.76.03
madex@ines.ro

Russia / Россия
000 „Хускварна“
141400, Московская обл.,
г. Химки,
улица Ленинградская,
владение 39, стр.6
Бизнес Центр
„Химки Бизнес Парк“,
помещение 0B02_04
http://www.gardena.ru

Serbia
Domel d.o.o.
Autoput za Novi Sad bb
11273 Belgrade
Phone: (+381) 1 18 48 88 12
miroslav.jejina@domel.rs

Singapore
Hy-Ray PRIVATE LIMITED
40 Jalan Pemimpin
#02-08 Tat Ann Building
Singapore 577185
Phone: (+65) 6253 2277
shiyang@hyray.com.sg

Slovak Republic
Husqvarna Česko s.r.o.
Türkova 2319/5b
149 00 Praha 4 – Chodov
Bezplatná infolinka:
800 154 044
servis@sk.husqvarna.com

Slovenia
Husqvarna Austria GmbH
Industriezeile 36
4010 Linz
Tel. : (+43) 732 77 01 01-485
service.gardena@husqvarnagroup.com

South Africa
Husqvarna
South Africa (Pty) Ltd
Postnet Suite 250
Private Bag X6,
Cascades, 3202
South Africa
Phone: (+27) 33 846 9700
info@gardena.co.za

Spain
Husqvarna España S.A.
Calle de Rivas nº 10
28052 Madrid
Phone: (+34) 91 708 05 00
atencioncliente@gardena.es

Suriname
Deto Handelmaatschappij N.V.
Kernkampweg 72-74
P.O.Box: 12782
Paramaribo – Suriname
South America
Phone: (+597) 438050
www.deto.sr

Sweden
Husqvarna AB/GARDENA Sverige
Drottninggatan 2
561 82 Huskvarna
Sverige

Switzerland / Schweiz
Husqvarna Schweiz AG
Consumer Products
Industriestrasse 10
5506 Mägenwil
Phone: (+41) (0) 62 887 37 90
info@gardena.ch

Turkey
Dost Bahçe Diş Ticaret
Mümesillik A.Ş
Yunus Mah. Adli Sok. No: 3
İc Kapı No: 1 Kartal
34873 İstanbul
Phone: (+90) 216 38 93 939
info@dostbahce.com.tr

Ukraine / Україна
ТОВ „Хускварна Україна“
вул. Васильківська, 34,
офіс 204-г
03022, м. Київ
Тел. (+38) 0 800 504 804
info@gardena.ua

Uruguay
FELI SA
Entre Rios 1083 CP 11800
Montevideo – Uruguay
Tel : (+598) 22 03 18 44
info@felisa.com.uy

Venezuela
Corporación Casa y Jardín C.A.
Av. Caroni, Edif. Trezmen, PB.
Colinas de Bello Monte.
1050 Caracas.
Tlf : (+58) 212 992 33 22
info@casayjardin.net.ve



1889-20.960.01/0121

© GARDENA Manufacturing GmbH; D-89079 Ulm; http://www.gardena.com