

GOZNEY°

CA DOC-0553-02

Technical Manual

Arc & Arc XL

Live-Fire cooking made easy.

Introduction



DANGER

If you smell gas:

Shut gas off to the appliance.

Extinguish any open flame.

If odour continues, keep away from the appliance and immediately call your fire department.



WARNING

Do not store or use gasoline or other flammable liquids or vapors in the vicinity of this or any other appliance.

An LP cylinder not connected for use shall not be stored in the vicinity of this or any other appliance.

This instruction manual contains important information necessary for the proper assembly and safe use of the appliance.

Read and follow all warnings and instructions before assembling and using the appliance. Follow all warnings and instructions when using the appliance. Keep this manual for future reference.

Never operate this appliance in enclosed areas. Failure to follow these instructions could result in fire or explosion which could cause property damage, personal injury or death.

Never operate this appliance unattended.

Never operate this appliance within 1.5m of any structure, combustible material or other gas cylinder.

Never operate this appliance within 7.5m of any flammable liquid.

Do not fill the cooking vessel beyond the limitation of the door dimensions.

Heated liquids remain at scalding temperatures long after the cooking process. Never touch cooking appliance until liquids have cooled to 45°C or less.

If a fire should occur, keep away from the appliance and immediately call your fire department. Do not attempt to extinguish an oil or a grease fire with water.

This appliance must be kept away from flammable materials during use.

Use outdoors only.

Do not modify the appliance.

Contents

| | |
|---------------------------------------|----|
| GENERAL ADVICE | 8 |
| EU DECLARATION OF COMFORMITY | 9 |
| END OF LIFE | 9 |
| PRODUCT OVERVIEW | 10 |
| DATA PLATE | 12 |
| 1 OPERATION & INSTALLATION | 15 |
| SAFETY CONSIDERATIONS | 16 |
| FIRE | 17 |
| CARBON MONOXIDE | 17 |
| 2 SETUP & ACCESSORIES | 19 |
| ADJUSTING THE STONES | 20 |
| INSTALLING THE FLUE & BURNER GUARD | 21 |
| MOVING THE OVEN | 22 |
| OVEN PLACEMENT | 23 |
| DIGITAL TEMPERATURE DISPLAY | 25 |
| SET UP | 26 |
| RECOMMENDED TEMPERATURE RANGES | 27 |
| TROUBLESHOOTING | 27 |
| E1 ERROR CODE | 27 |
| E3 ERROR CODE | 27 |
| OPTIONAL ACCESSORIES | 28 |
| ARC MANTEL | 28 |
| ARC BOOSTER | 28 |
| ARC COVER | 28 |
| 3 FIRING UP GAS | 31 |
| CONNECTING TO GAS | 32 |
| GAS SAFETY | 33 |
| INSTALLING THE IGNITER BATTERY | 35 |
| CONNECTING THE GAS HOSE | 36 |
| PUSH FIT REGULATOR | 37 |
| CLOCKWISE/ANTICLOCKWISE REGULATOR | 37 |
| TESTING FOR LEAKS | 38 |
| IGNITION | 39 |

| | |
|--------------------------------------|----|
| FIRST FIRING | 40 |
| TROUBLESHOOTING GAS BURNER | 41 |
| DISCONNECTING GAS | 42 |
| PUSH FIT REGULATOR | 42 |
| CLOCKWISE/ANTICLOCKWISE REGULATOR | 43 |
| 4 GENERAL MAINTENANCE | 45 |
| MAINTENANCE | 46 |
| CLEANING THE VENTURI | 46 |
| CLEANING THE OVEN | 47 |
| INTERNAL | 47 |
| EXTERNAL | 48 |
| REPLACING THE PROBE | 49 |

GENERAL ADVICE

Arc gets extremely hot and should not be used by children. Do not allow children near the device during or after operation. Arc can stay hot for a few hours after use.

Do not use under any apartment or balcony or deck.

This appliance is for cooking purposes only. It must not be used for other purposes, for example heating a room.

Arc has not been designed or intended to be used on a boat or within a recreational vehicle or any other form of confined area.

Assembly and operation of the oven should be carried out by a competent person.

The use of alcohol, prescription or non-prescription drugs may impair the consumers ability to assemble or operate the device safely.

Do not use any plastic or glass utensils within Arc.

Use heat-resistant gloves when operating the oven.

Do not insert items into Arc that are bigger than the dimensions of the oven mouth.

Do not over fill Arc or cover the burner.

Do not move Arc whilst in operation.

Do not operate Arc in strong winds. Winds can extinguish the flame and also cause irregular air pressure resulting in the flame and heat coming out the back of Arc. Use a wind break in open areas but keeping over 45cm away from the device.

Do not pour water on to the cooking stone as this will likely crack it and could be dangerous because of oil and grease.

Do not wear loose flammable clothing or sleeves near Arc.

Parts sealed by the manufacturer or the agent shall not be manipulated by the user.

Never use gas and wood simultaneously.

For replacement parts "/contact us at enquiries@gozney.com / inquiries@gozney.com

EU DECLARATION OF CONFORMITY

Manufacturer's Name: Gozney Limited
Manufacturer's Address: Gozney Group
Ltd, Bobbys, Third floor, The Square, 2-12
Commercial Rd, Bournemouth BH2 5LP.

Herewith declare that this product

Product: Arc Oven, Arc XL oven

Type(s):

Arc: GOZ-1485

Arc XL: GOZ-1728

Trade name: Arc, Arc XL

Is in conformity with the following EC
directives:

- Gas Appliance Regulation (EU)
2016/426

- Gas Appliances (Enforcement) and
Miscellaneous Amendments Regulations
2018 (UK Statutory Instrument 2018 No.
389)

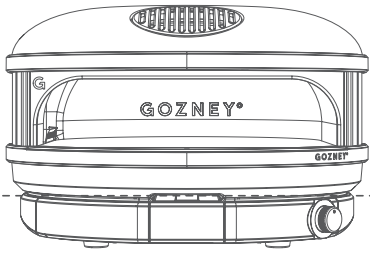
and that the following harmonized
standards have been applied:

EN 498:2012

END OF LIFE

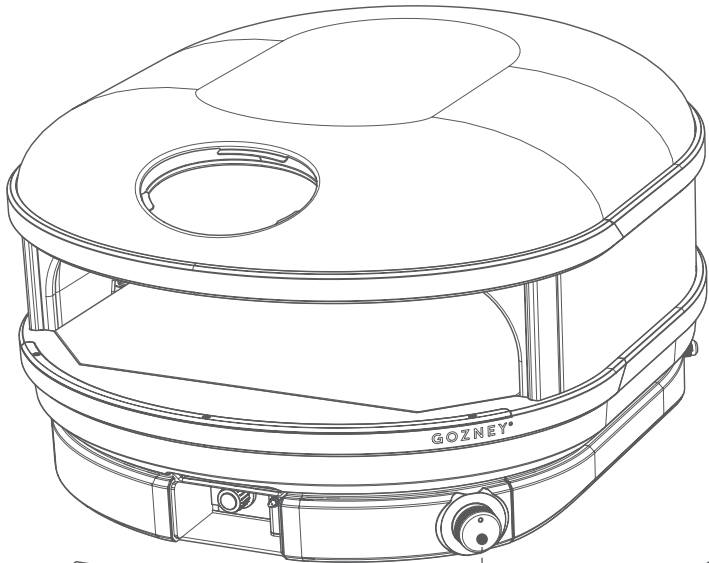
At product's end of life, please dispose
responsibly.

Product Overview - What's in the Box

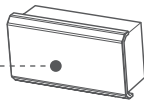


Oven

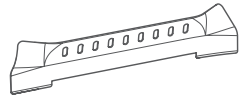
Dock



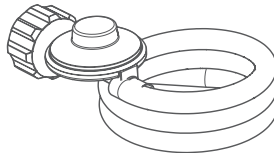
Thermometer



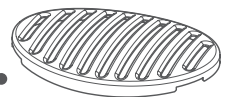
Gas Control Dial



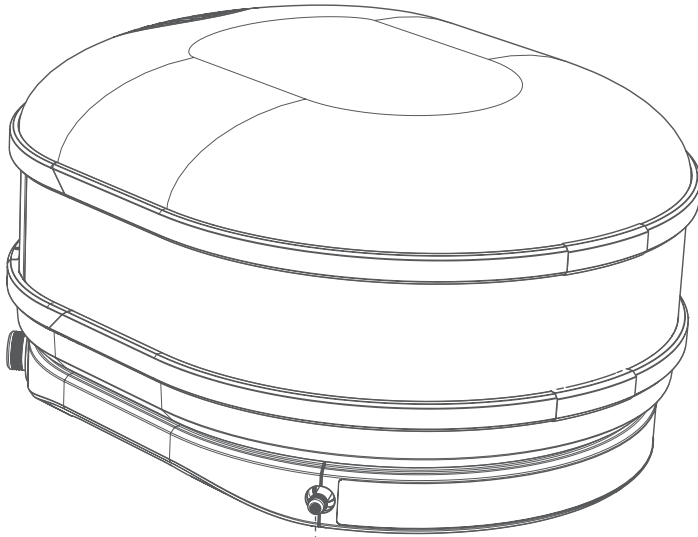
Gas Hose & Regulator



Burner Guard



Flue Outlet



Gas Inlet



Stone Adjustment
Tool



Torx Screwdriver



Matchstick Holder

GAS SPECIFICATION

| | |
|--|-----------------------------|
| Gozney Group Ltd, Bobbys, Third floor, The Square, 2-12 Commercial Rd, Bournemouth BH2 5LP | |
| Appliance Name: | Gozney Arc Gozney Arc XL |
| Model/Type No.: Arc: Arc XL: | GOZ-1485 GOZ-1728 |
| Trade name: | Gozney Arc Gozney Arc XL |

LPG Configuration

| | |
|---|-----------------------------------|
| Total nominal heat output for the gas burner Arc: Arc XL: | 4.5kw (330g/h) 5.25kw (390g/h) |
| Injector Size (mm) Arc: Arc XL: | 1.1 1.2 |
| BTU / Hour Arc: Arc XL: | 14400 17500 |
| Gas Type | Propane |
| Gas Pressure | 11 "W.C. |

Read the instructions before using the appliance.

WARNING: accessible parts may be very hot. Keep young children away.

WARNING! Do not use spirit or petrol for lighting or re-lighting!

This section details the correct operation and install of a Gozney Arc.



Operation & Installation

SAFETY CONSIDERATIONS

This appliance must be installed on a secure level base prior to use.

WARNING: This appliance will become very hot, do not move it during operation.

WARNING: Keep away from children and pets.

The Arc unit and the burner must always be well ventilated.

The appliance must be installed under a suitable extraction hood to evacuate any substances harmful to health in the room in which they are installed.

Do not move or leave Arc unattended whilst in use.

Do not operate Arc in strong winds. Wind can extinguish flame.

Do not burn wood in this oven.

—
The oven can become very hot. Do not use the accessory hatch when the oven is in operation.

—
Do not wear flammable loose garments or sleeves.

—
Do not cover oven mouth when there is an active flame, this will cause damage to the oven.

—
This oven is not intended to be installed in or on recreational vehicles.

—
Product may contain sharp edges! Please use caution.

WARNING: Contact your local municipality for any building codes applicable to the use, installation and operation of outdoor barbecue appliances.

CARBON MONOXIDE

Carbon Monoxide is a highly poisonous gas which can be produced when the device isn't receiving enough ventilation.

We therefore recommend using wood or gas fuels in a well ventilated area away from direct wind and to never cover the oven mouth when there is an open flame present.

It is difficult to know if your device is producing Carbon Monoxide as it is an odourless and colourless gas.

It can, however cause these symptoms when you are exposed to it:

- Tightness across the forehead
- Headache
- Weakness
- Dizziness
- Nausea
- Vomiting
- Coma, intermittent convulsions
- Depressed heart action, slowed respiration

If the exposure has been severe it may cause death.

Please follow local regulations and install a CO alarm if necessary.

FIRE

Most fires are caused by a build up of grease, or (if using gas) an improper gas connection. In the event of a fire ensure all people and pets are kept as far away as possible.

Use a fire extinguisher if possible, but if water is the only fire retardant available, thoroughly soak the area around the appliance. When spraying water on Arc itself, do not use a strong jet of water, as this may cause splashing of burning grease, resulting in a further spreading of the fire.

This section details the set up of the oven and the accessories included with your Arc.

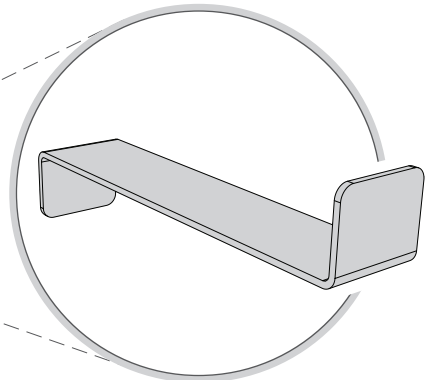
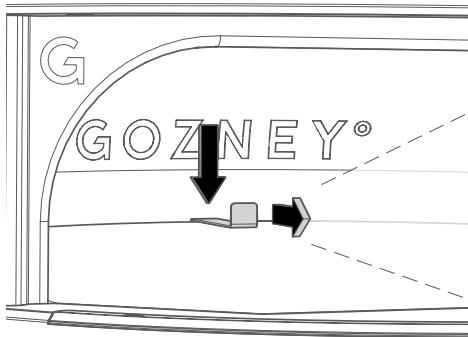
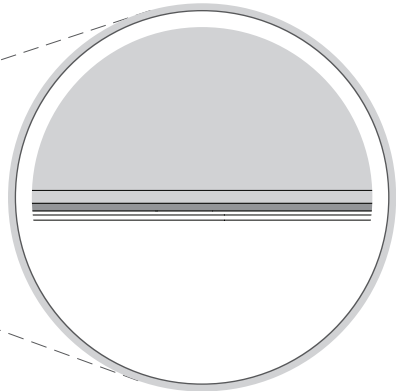
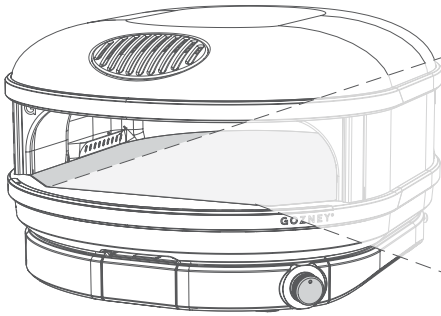
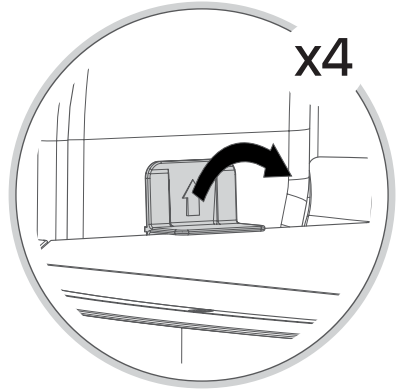
2

Setup & Accessories

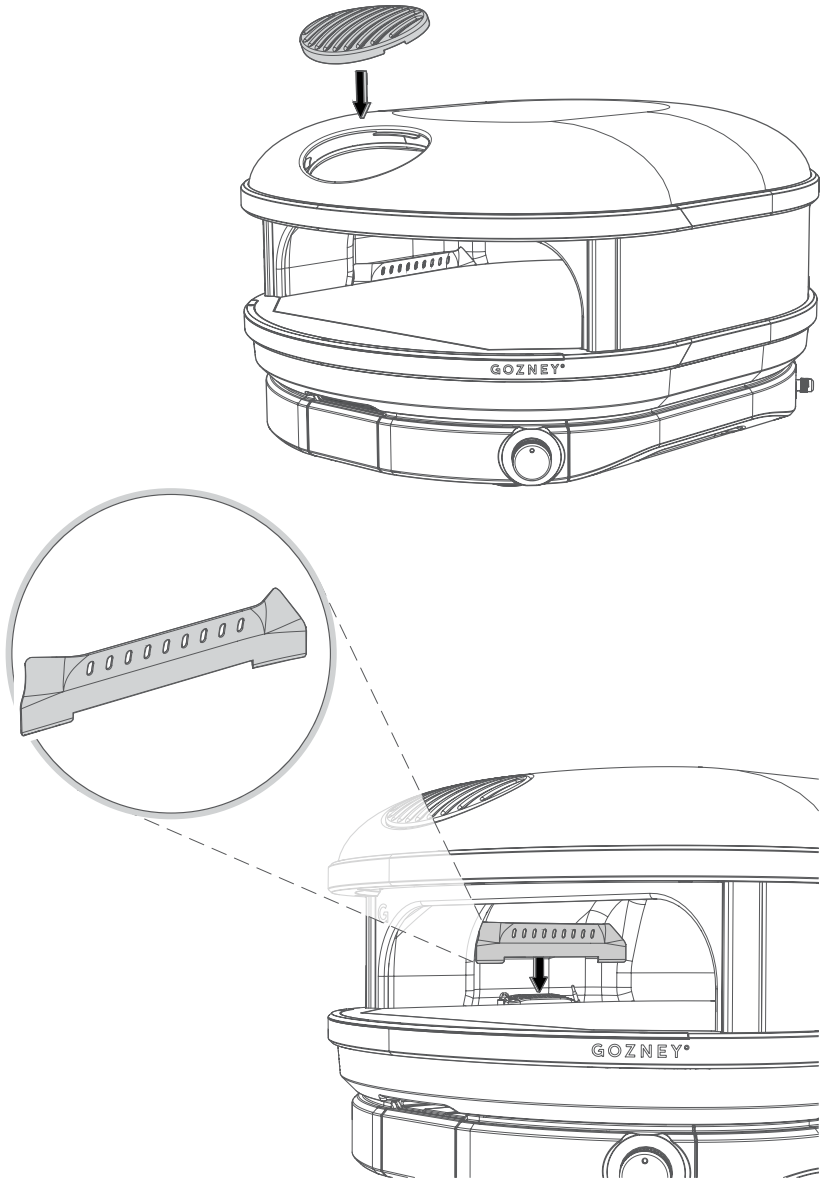
Adjusting The Stones

Before using Arc it is important that the four blue stone retention wedges and other packaging inside of the oven are removed.

The removable stone design of Arc means that it is not fixed inside the oven and as such can shift backwards during transport. If there is a large visible gap at the front of the stone, you can use the included stone adjustment tool to hook the back of the stone and pull it forward.



Installing The Flue & Burner Guard

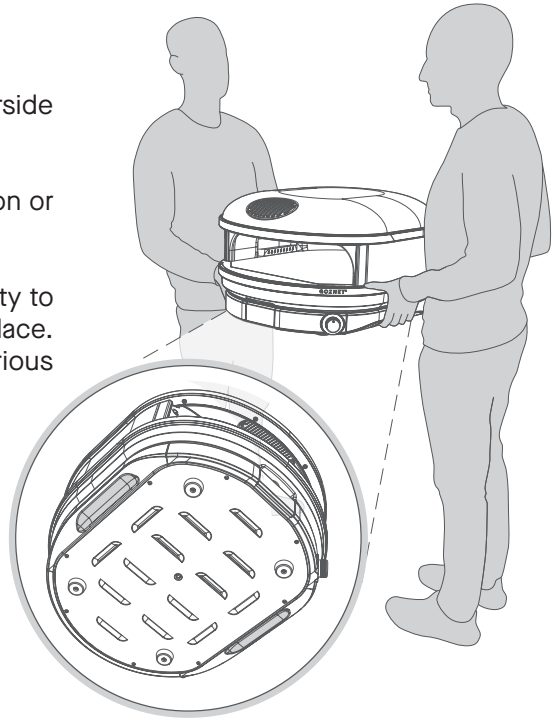


Moving the Oven

Use the hand holds on the underside edges of the oven to carry it.

Do not move Arc whilst in operation or when it is still hot.

Be sure that you have the capability to safely move the oven and set it in place. Failure to do so could cause serious bodily injury.

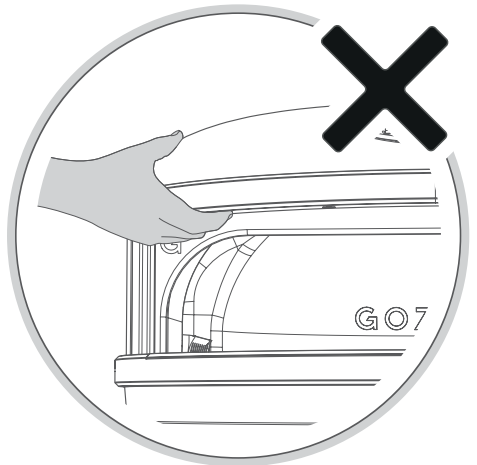


Do not use the mouth of the oven as a lifting point.

Remove anything loose and all transit packaging in the oven before moving.

Always plan the route you are going to take, remove any obstacles on your path and ensure the oven will fit through the intended route.

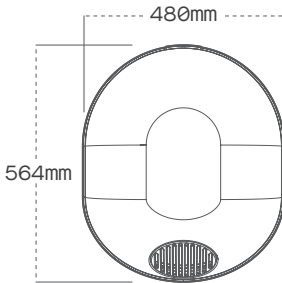
Ensure the area you are moving the oven to fits with the guidelines on the following page.



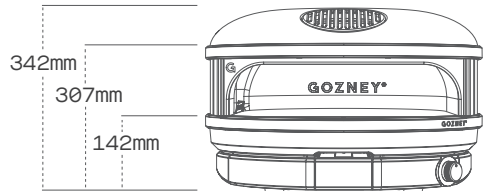
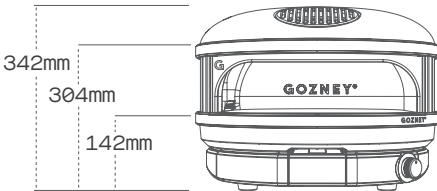
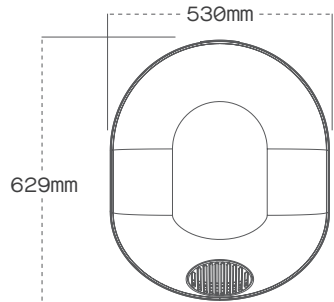
OVEN PLACEMENT

When deciding where to place Arc ensure the area is large enough to accommodate the oven with 2" (50mm) around the base of the dock for air intake. It is important nothing is blocking this area as this will affect the performance of Arc.

Arc



Arc XL



WARNING

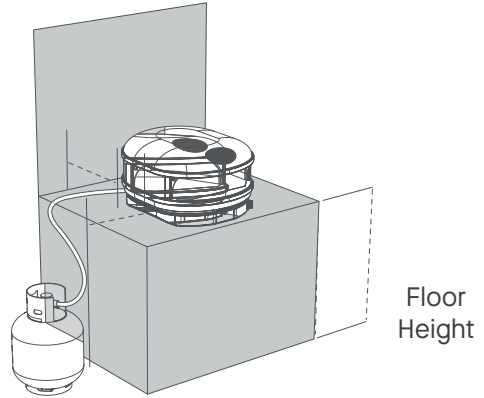
When placing your oven it is important to maintain proper clearances from combustible construction. Ensure Arc has 30cm clearance (back and sides) and 100cm clearance (front) from any combustible construction.

Always keep the area around the oven clear of any combustible materials, gasoline and other flammable vapors and liquids.

Under no circumstances is the oven to be placed under or on top of any combustible structure.

We recommend the height of the floor to be around the level of the bottom of the users elbow (usually around 120cm from the ground).

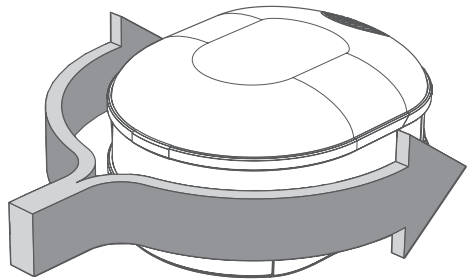
Ensure the surface the oven is being placed on is completely level, stable and capable of easily holding the weight of the oven - 20kg Arc, 25kg Arc XL.



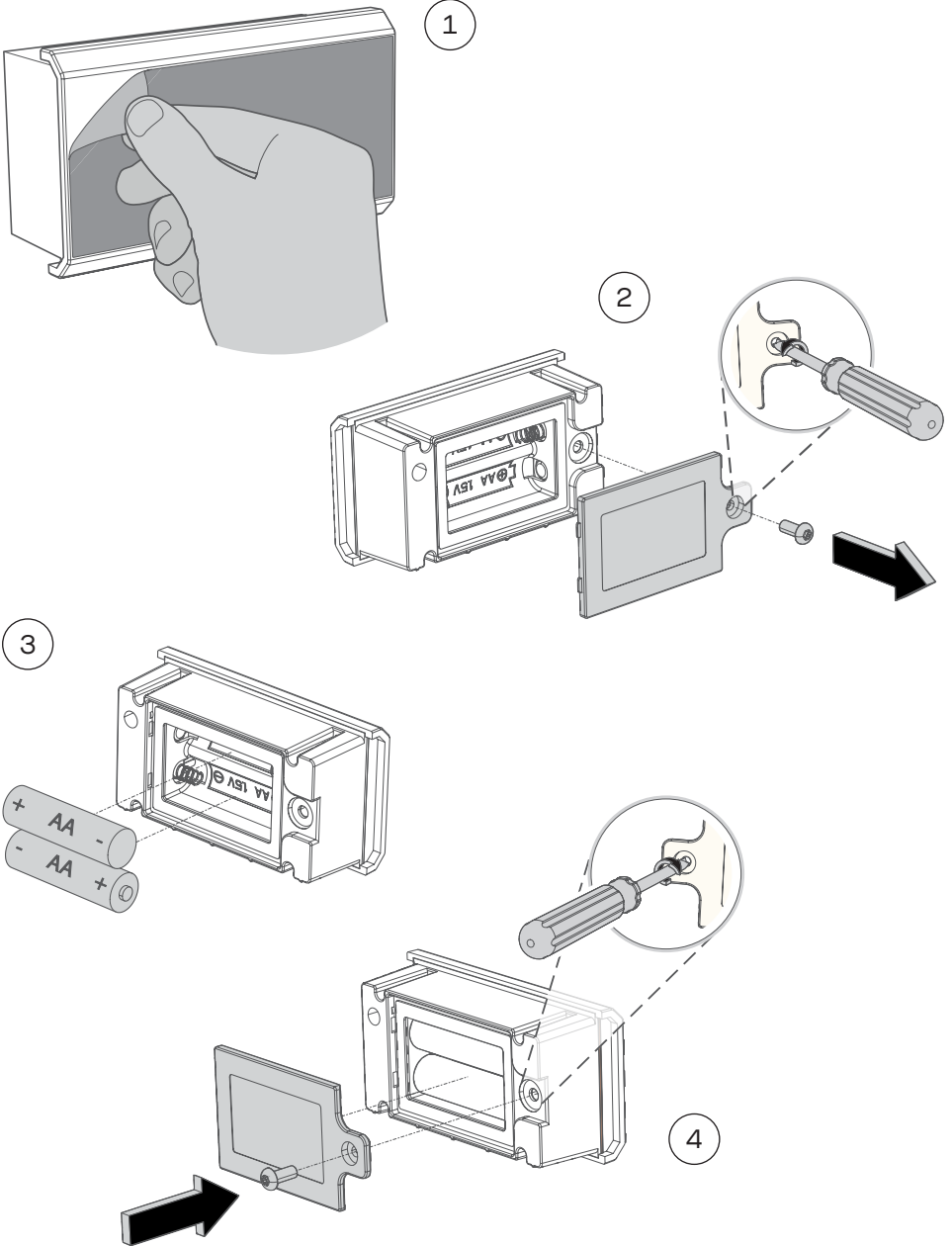
WARNING

Never operate the oven in high winds or if the wind is blowing into the oven mouth.

Wind should be taken into consideration when choosing a location. The oven should be orientated so that the mouth is facing away from the wind. Avoid using the oven in windy conditions, it is important to have wind breaks situated around the oven to stop the wind from blowing the flame down into the dock. If you see fire coming from the dock, turn the oven off from either the gas bottle or control knob. Never operate the oven in high winds.



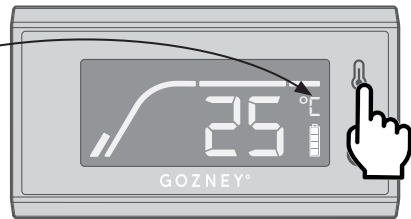
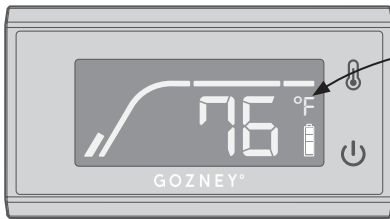
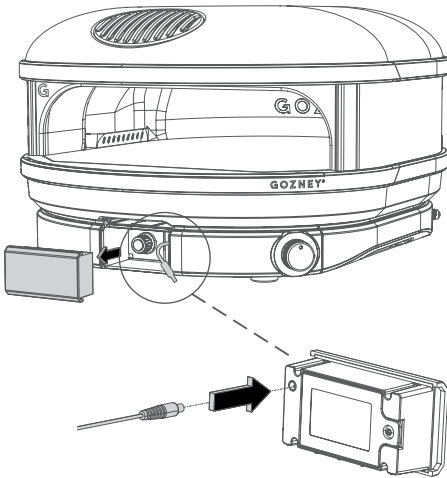
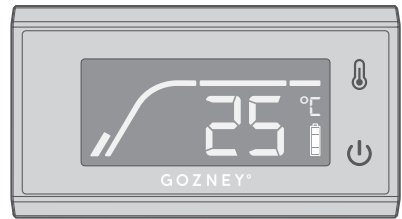
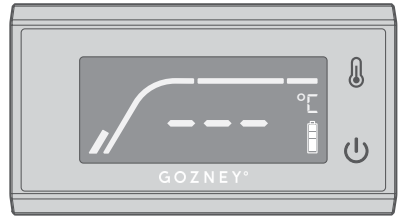
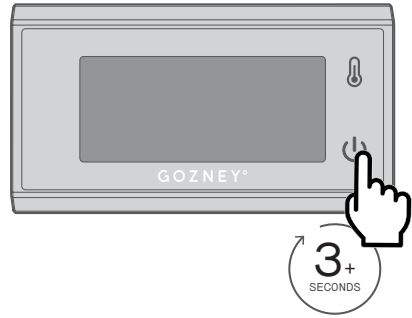
Digital Temperature Display



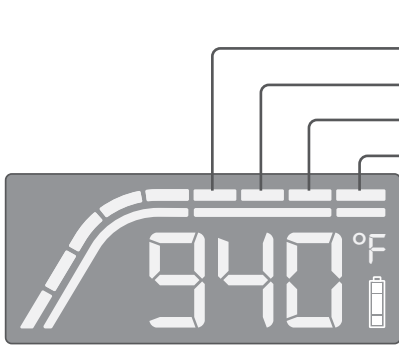
SET UP

After installing the batteries hold the power button down until the display turns on. Find the sensors jack by removing the plastic cap and plug it into the rear of the display, the screen will then show the temperature from within the oven.

The Digital Temperature Display is held in place by magnets.



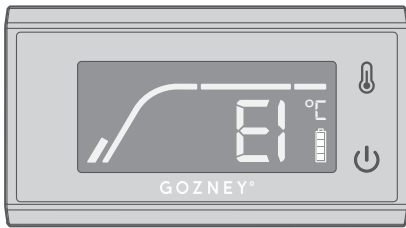
Digital Temperature Display



Recommended temperature ranges:

- New York Pizza - +600 - 700°F (+315 - 370°C)
- Roman Style Pizza - 700 - 800°F (315 - 425°C)
- Neapolitan Pizza - 800 - 900°F (425 - 480°C)
- Over Temp (Too Hot) - +900°F

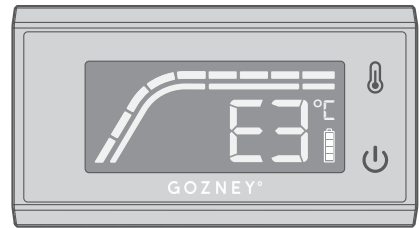
TROUBLESHOOTING



E1 ERROR CODE

If the thermometer is displaying an error code E1. This is caused by either:

- 1) A loose connection where the jack plug connects to the thermometer. Please ensure the jack plug is pushed fully in to the socket on the back of the thermometer.
- 2) Damage to the probe. The probe may need replacing. Please refer to maintenance instructions at the end of the manual.



E3 ERROR CODE

If the thermometer is displaying an error code E3. This is caused by the oven probe exceeding temperatures of 700°C/ 1292°F. Running the oven above this temperature may damage the unit.

To resolve this turn the gas burner off and let the oven cool naturally.

Do not try to rapidly cool the oven. This may crack the stone floor or cause stress damage to the oven.

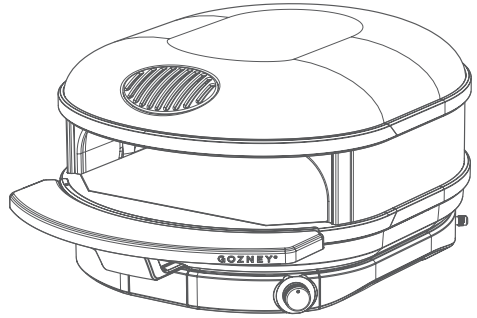
Optional Accessories

Not included and must be purchased separately.
For more details visit the Gozney website. www.gozney.com.

ARC MANTEL

Whether you're cooking Neapolitan pizza, roasting vegetables or smoking meat, Arc Mantel makes moving food in or out of the oven simple.

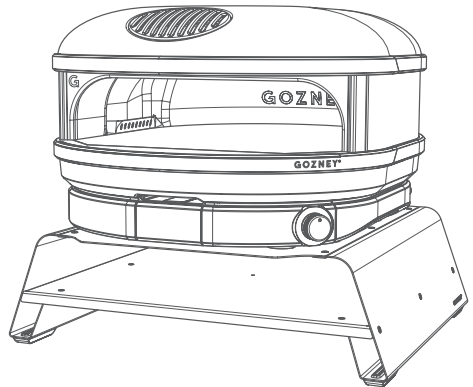
Easily slotting onto the oven, the Mantel is made from ceramic coated, food grade aluminum alloy for extra heat and scratch resistance.



ARC BOOSTER

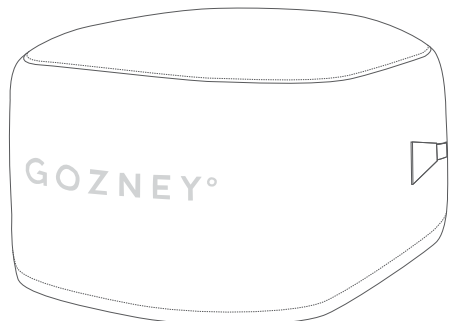
Raise your cooking game and your oven with the Arc booster allowing you to use Arc at the optimal height when placed on an outdoor counter-top or table.

The easy access shelf will keep all of your accessories close to hand while you operate the oven as well as providing a safe place to store them between uses.



ARC COVER

Designed to fit perfectly over your oven on a counter-top, the Arc Cover is made from marine grade, weather resistant materials. Whilst giving complete protection from rain, wind, frost, UV, salt, insects and wildlife, the Arc cover remains breathable to let moisture escape when it needs to.



Your guide to burning gas.

3

Firing Up Gas

Connecting to Gas

Check that the gas you are using is specified on the data plate page.

The gas cylinder used must have a safety collar to protect the valve assembly. Do not use a cylinder that is rusty, dented or has a damaged valve.

We recommend using a 9kg gas bottle as a minimum in conjunction with Arc.

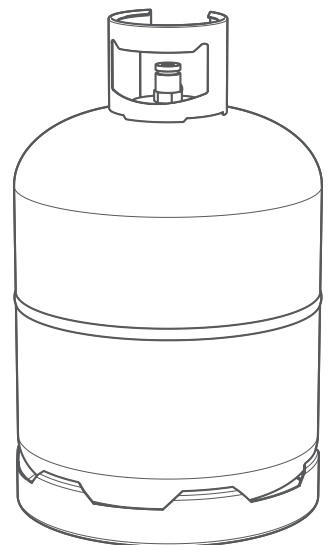
Connect the regulator to the gas canister, following the instructions for your regulator accordingly. Do not force the regulator as this could damage the gas bottle.

WARNING: If at any point you smell gas: Shut off the gas from the cylinder, turn off the switch on Arc and extinguish any open flames.

If odour continues, move away from Arc and gas supply then contact your gas supplier or fire service.

Ensure that the LPG cylinder or regulator valve is closed.

Do not store a spare LPG cylinder under or near this appliance.



Gas Safety

CARBON MONOXIDE

Carbon Monoxide is a highly poisonous gas which can be produced when the device isn't receiving enough ventilation.

We therefore recommend using the gas and wood burners in a well ventilated area away from direct wind and to never cover the oven mouth when there is an open flame present.

It is difficult to know if your device is producing Carbon Monoxide as it is an odourless and colourless gas.

It can, however cause these symptoms when you are exposed to it:

- Tightness across the forehead
- Headache
- Weakness
- Dizziness
- Nausea
- Vomiting
- Coma, intermittent convulsions
- Depressed heart action, slowed respiration

If the exposure has been severe it may cause death.

Please follow local regulations and install a Co alarm if necessary.

FIRE

Most fires are caused by a build up of grease, or (if using gas) an improper gas connection. In the event of a fire ensure all people and pets are kept as far away as possible.

Use a fire extinguisher* if possible, but if water is the only fire retardant available, thoroughly soak the area around the appliance. When spraying water on the Dome itself, do not use a strong jet of water, as this may cause splashing of burning grease, resulting in a further spreading of the fire.



Keep the cylinder outdoors in its upright position.



Do not connect multiple gas canisters to Arc or store a spare within the same vicinity.



A regulator which complies with EN16129 or EN12864 must fit between the gas canister and the oven.



Do not position the gas canister under the oven.



Never use a naked flame to check for gas leaks.



Maximum length of hose cannot exceed 1.5m. In Finland, hose length cannot exceed 1.2m.



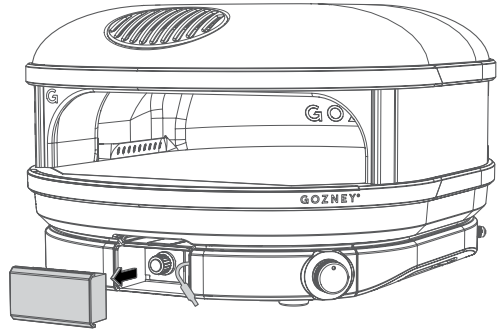
National requirements state how often to replace the hose. Please review this for your area.



Never fill the cylinder beyond 80 percent full.

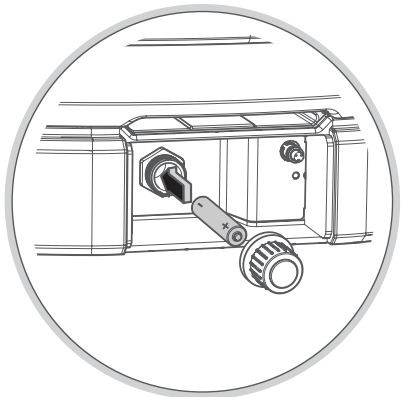


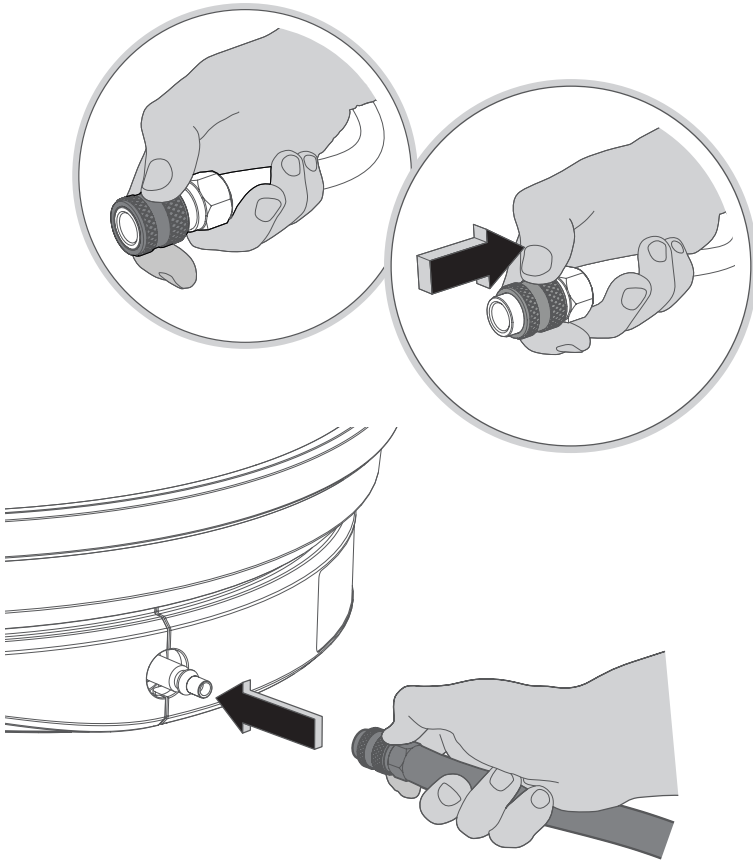
Make sure the flexible tube is not twisting when the appliance is in operation.



INSTALLING THE IGNITOR BATTERY

Before using the gas burner for the first time you'll need to install an AAA battery into the ignition module. To do this remove the thermometer from the front of the oven, the module will be inside and to the left. Unscrew the cap and place the battery in (negative end first) before returning the thermometer to its original position in the dock. You're now ready to connect the gas bottle to the oven.



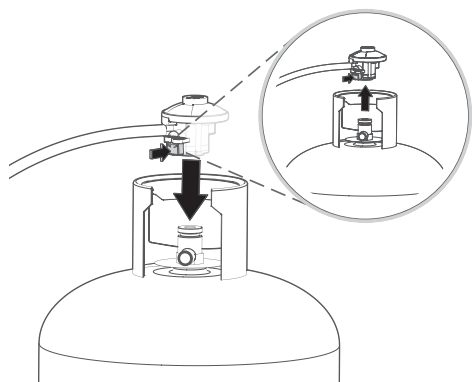


CONNECTING THE GAS HOSE

To attach the quick connection gas hose to your Arc pull the collar back on the connector and place the hose onto the gas inlet. When you release the collar it should return to its original position freely. This connection must be tested for leaks before using the oven.

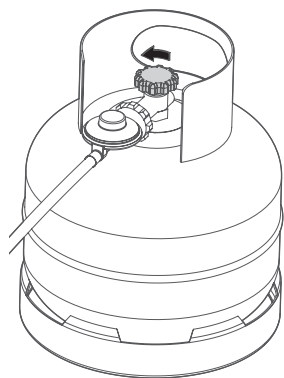
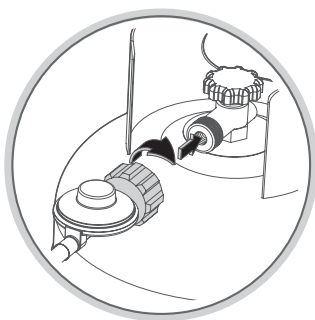
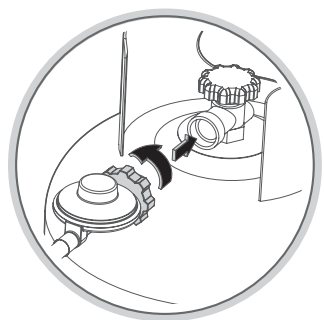
hose must be replaced prior to the appliance being put into operation. Any replacement hose assembly or pressure regulators shall be that specified by Gozney, for more details visit the Gozney website. www.gozney.com. Keep the gas hose away from any heated surface(s).

Inspect the hose before each use of the appliance. If there is evidence of abrasion, wear, cuts, or leaks, the



PUSH FIT REGULATOR

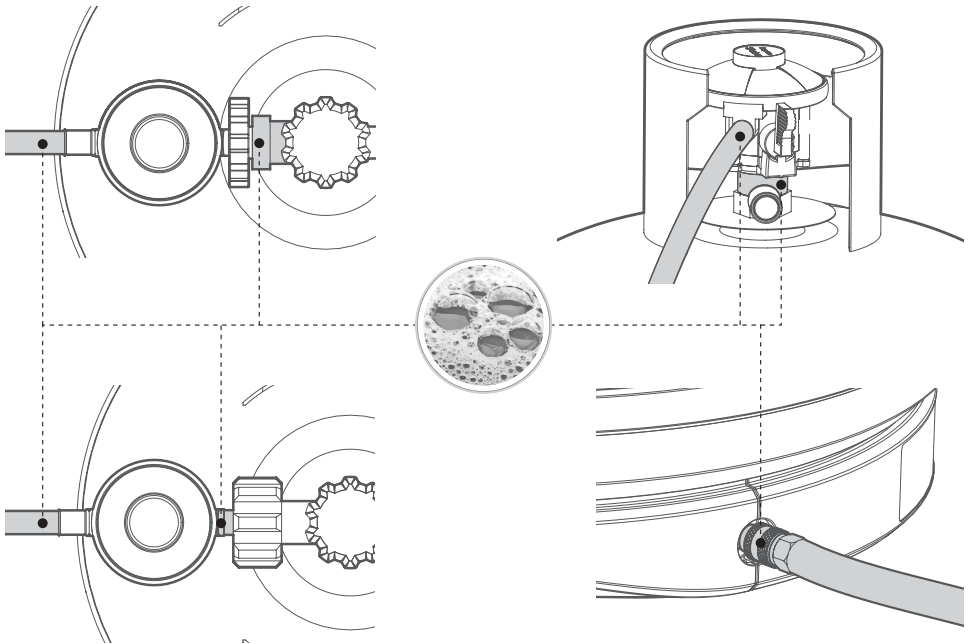
Make sure the lever is in the horizontal position so the button can be pressed. Pressing in the button, place the regulator onto the gas bottle. After releasing the button, turn the lever to a vertical position. This connection must be tested for leaks before using the oven.



CLOCKWISE / ANTICLOCKWISE REGULATOR

Ensure the gas bottle is turned off. Align the regulator and the gas bottle threads and carefully begin to tighten ensuring the threads aren't crossed. Continue to tighten until a tight fit has been made. This connection must be tested for leaks before using the oven.

Testing For Leaks



WARNING

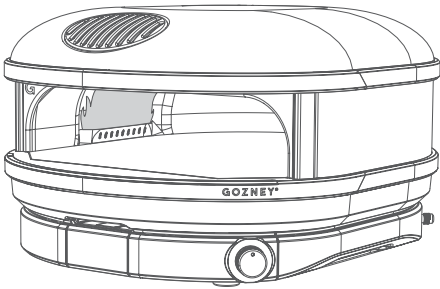
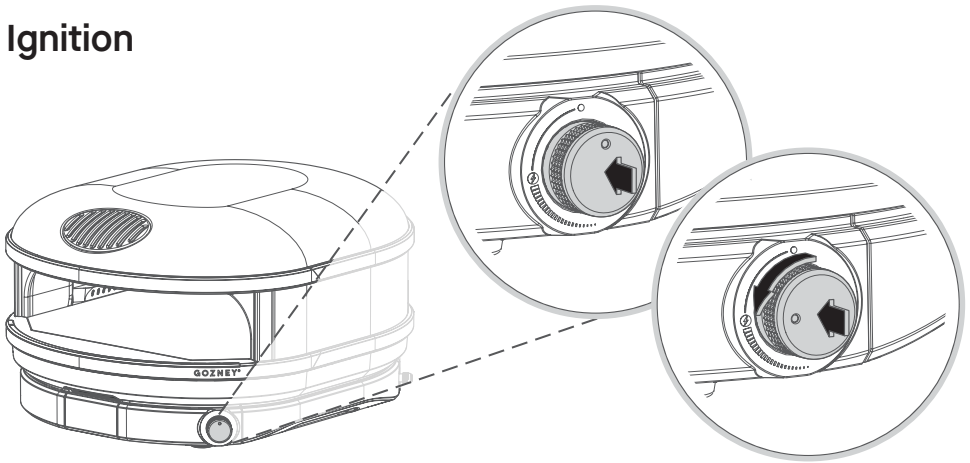
You should always check for gas leaks every time you disconnect and reconnect a gas fitting. Never ignite burners when leak checking.

To test for gas leaks, apply a mixture of soapy water with a brush to the highlighted areas and any cracks along the hose. If a leak is present the solution will bubble.

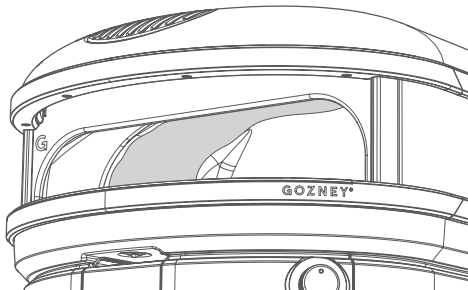
If there is a leak at the hose to oven connection, re-attach the fitting and check for leaks by applying a soap-and-water solution to the highlighted areas with a brush. If a leak persists turn off the gas and **DO NOT OPERATE THE OVEN.**

If there is a leak at the valve connection, remove LPG cylinder. Do not operate oven. Use a different LPG cylinder and recheck for leaks with the soap-and-water solution.

Ignition



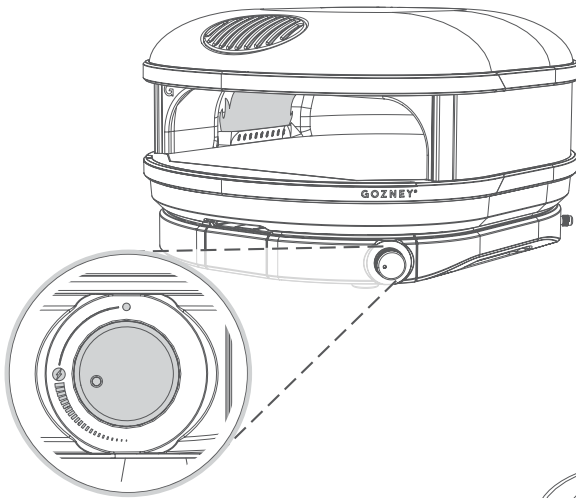
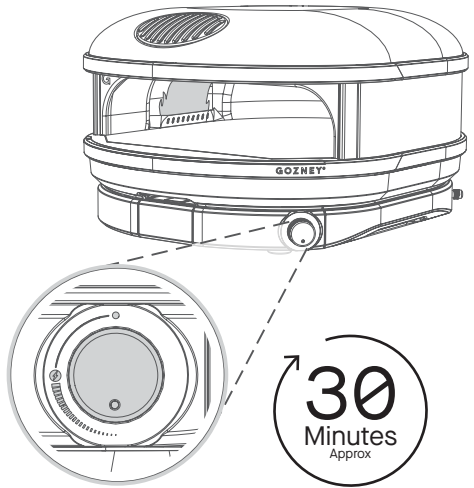
Remove the stone retention wedges before lighting the oven. To light the gas burner press the control knob in and turn the knob 90° until you hear a clicking sound and the burner ignites.



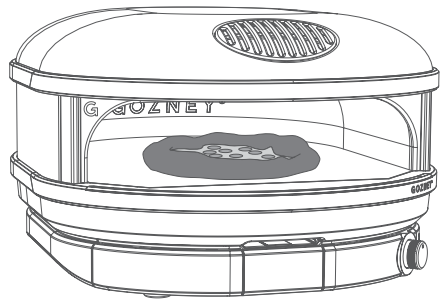
The flame should be yellow in colour and roll along the top of the oven.

First Firing

On your first firing we highly recommend putting the burner on a medium to low flame for 30 minutes to help cure the oven before moving to a high flame.



On subsequent firings after curing, you can bring the oven up to the desired temperature from ignition. If the oven has been dormant for an extended period, you should cure the oven again as if it was a first firing.

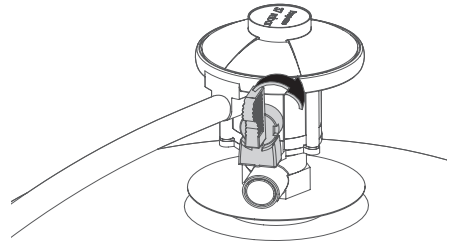


Troubleshooting Gas Burner

| Problem Observed | Possible Reasons | Solution |
|-----------------------|---|---|
| Flame looks too small | <ul style="list-style-type: none"> • Gas cylinder is near empty • Gas cylinder is too small • Ambient temperature is below 0°C • Blocked burner | <ul style="list-style-type: none"> • Try replacing the gas cylinder if it is empty. • The cannister may be too small. We recommend a 9kg canister as a minimum. • If the ambient temperature is below 0°C it is to be expected that a loss of power from the gas canister will occur. • The burner could be blocked, please refer to cleaning instructions available in this manual. |
| Failure to ignite | <ul style="list-style-type: none"> • Ignition battery is empty • Blocked burner • Gas canister is empty | <ul style="list-style-type: none"> • If firing for the first time or replacing a gas bottle the burner can take up to 30 seconds for the gas to flow through the system. Keep the control knob on until the pilot light has ignited. • If the control knob is not making a clicking sound when pushed in try replacing the battery at the back of the unit. Review the maintenance section within the manual for help and guidance on this. |
| Noisy Flame | <ul style="list-style-type: none"> • Incorrect ignition • Blocked Burner | <ul style="list-style-type: none"> • If the burner is making a loud grumbling sound first turn the burner down to low flame and then back to high. If the sound continues turn the burner off for 5 minutes and retry igniting it. If the problem persists still review the cleaning and maintenance instructions to remove debris in the burner. |

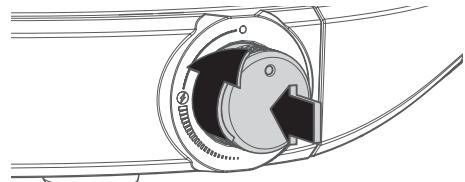
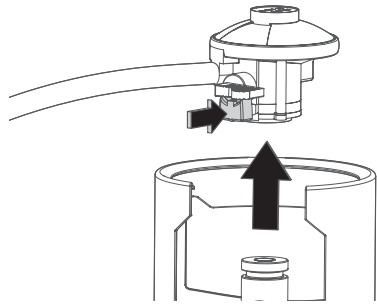
If the problem persists after trying the following solutions please contact Gozney for further support.

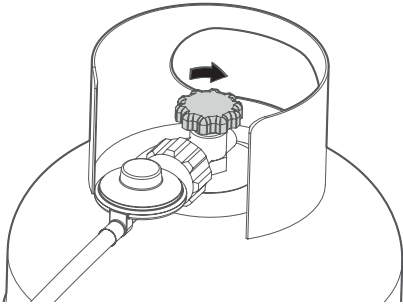
Disconnecting Gas



PUSH FIT REGULATOR

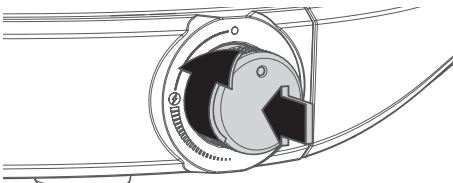
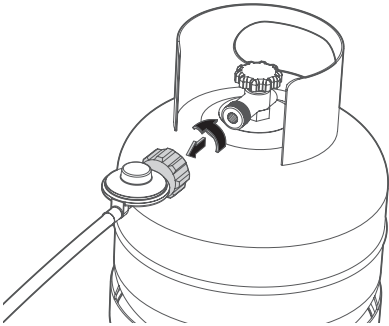
After cooking, be sure to turn off the gas from the gas canister first before turning off Arc. This will allow any gas left in the burner or pipe to be used up safely. Three minutes after turning the gas off it will be safe to remove the regulator and turn the control dial back to the off position.





CLOCKWISE / ANTICLOCKWISE REGULATOR

After cooking, be sure to turn off the gas from the gas canister first before turning of Arc. This will allow any gas left in the burner or pipe to be used up safely. Three minutes after turning the gas off it will be safe to remove the regulator and turn the control dial back to the off position.



Your guide to general maintenance.

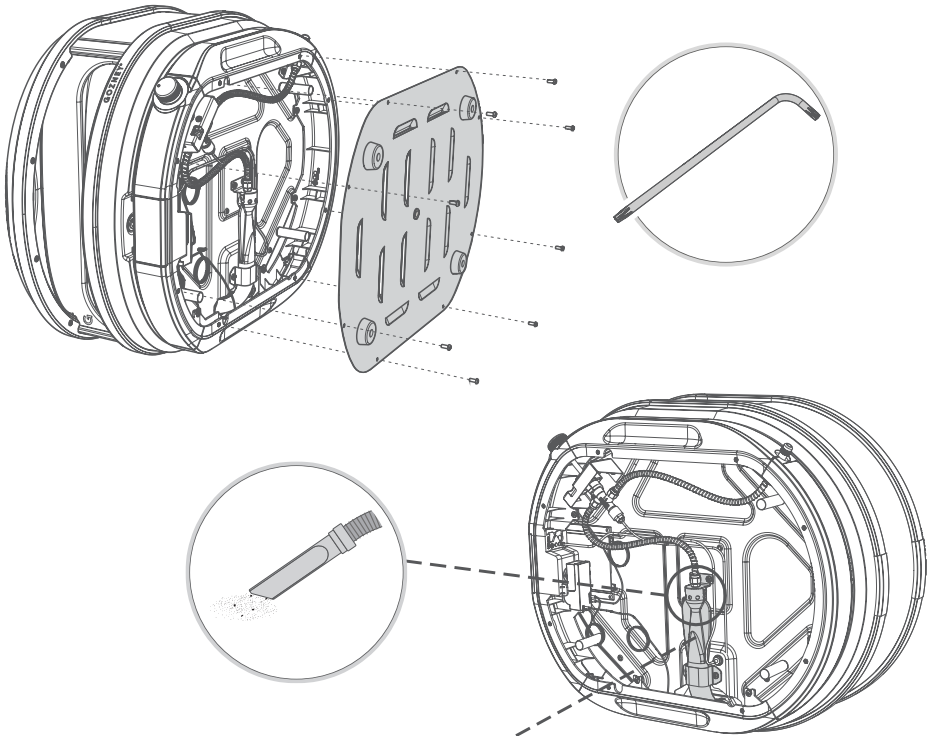
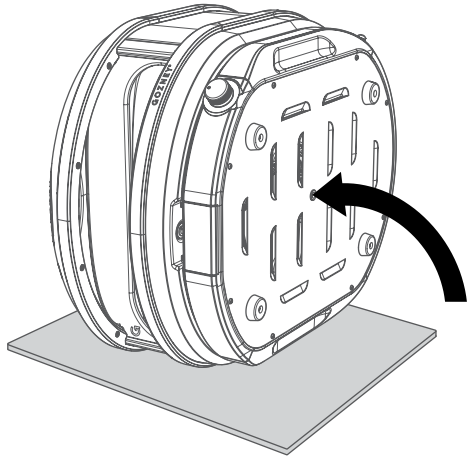
4

General Maintenance

Maintenance

CLEANING THE VENTURI

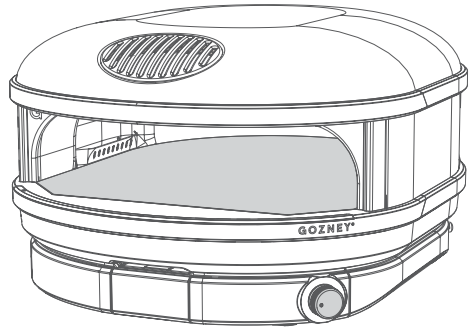
If your burner's flame is overly yellow or making more noise than usual you may have debris blocking the venturi. When the oven is turned off, disconnect it from the gas and let it cool. Make sure Arc is on a soft surface that won't cause scratches before gently rolling it onto its side. Use the torx screwdriver provided to loosen the 8 screws and remove the bottom panel. Use a vacuum cleaner with a long plastic nose to remove any debris. It's good practice to check the inside of the dock for debris regularly.



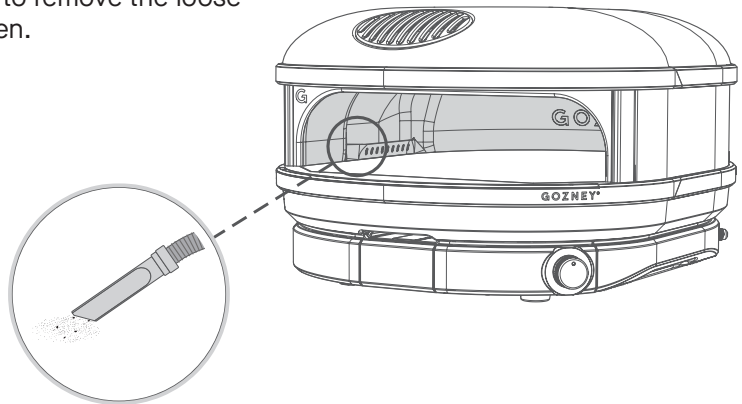
Cleaning The Oven

INTERNAL

The best way to clean the inside of Arc is to burn off any food debris or soot that is left behind. When the oven is over 350°C it will start self cleaning and any burnt on food will burn off after a period of three hours.



If there is any soot or debris left, wait for the oven to cool down and use a soft brush to dislodge, being careful not to apply too much pressure and damage the oven. Use a vacuum cleaner with a plastic attachment to remove the loose debris from the oven.



EXTERNAL

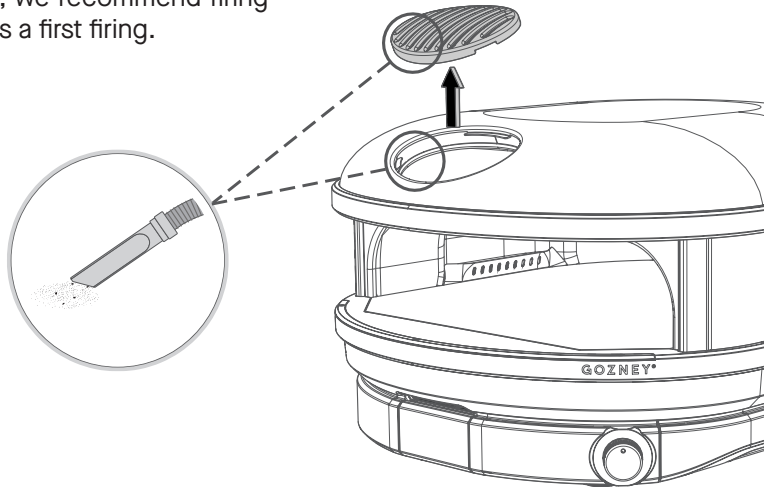
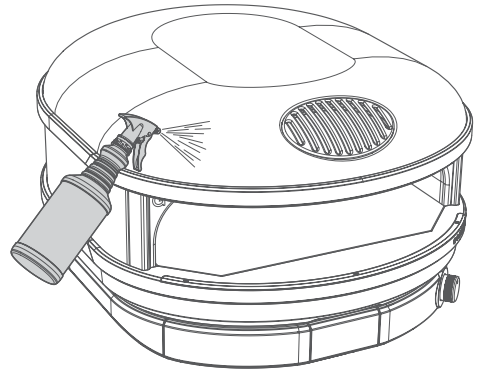
For the exterior of Arc ensure the oven is cool and use a non caustic bleach free cleaning spray on the dirty areas. Clean the area with warm soapy water and a sponge or non abrasive dish cloth and then wipe clean with paper towels. Arc's flue can also be removed for cleaning.

Avoid spraying directly onto the thermometer or control dial.

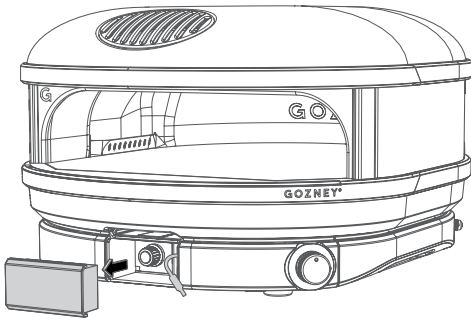
Do not use abrasive cleaning products.

When the oven isn't in use it should be kept under cover away from rain. If you are placing a cover directly on Arc, ensure it's completely cooled down before covering.

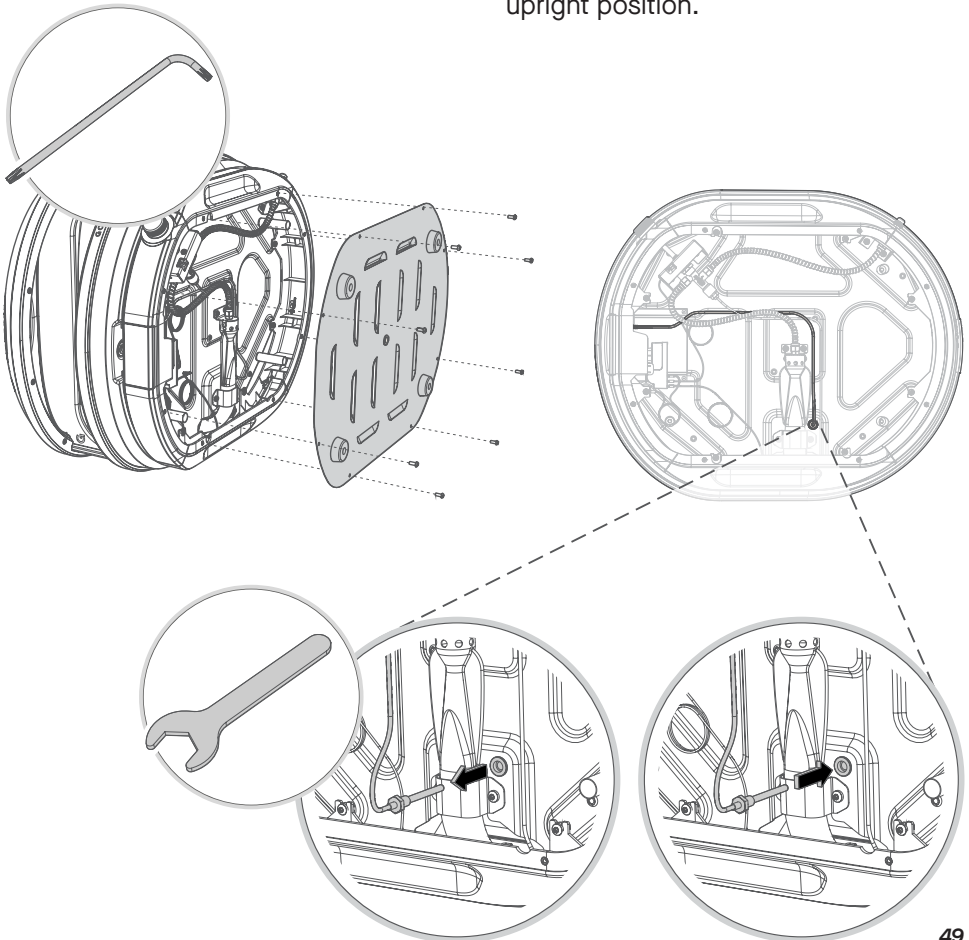
When using the oven again after a long period of disuse, we recommend firing the oven as if it is a first firing.



Replacing The Probe



Only when the oven is cold, remove the thermometer and unplug the cable. Gently roll the oven over onto its side and use the torx screwdriver to remove the bottom panel of the oven. Use the spanner to unscrew the old probe from inside the oven and replace it with the new one. Thread the cable back through to the front of the oven and plug it back into the thermometer. Replace the bottom panel and return the oven to its upright position.



GOZNEY°

GOZNEY°

CA DOC-0553-01

Manuel technique

Arc & Arc XL

La cuisson sur braises rendue facile.



DANGER

Si vous sentez le gaz :

—

coupez l'alimentation en gaz de l'appareil.

—

Éteignez toute flamme.

—

Si l'odeur persiste, restez à distance de l'appareil et appelez immédiatement les pompiers.

Le non-respect de ces instructions pourrait provoquer un incendie ou une explosion susceptible d'endommager les biens et de causer des blessures ou la mort.



DANGER

Ne jamais laisser cet appareil sans surveillance lorsqu'il fonctionne.

Ne jamais utiliser cet appareil à moins de 3 m de toute structure, matériau combustible ou autre bonbonne de gaz.

Ne jamais utiliser cet appareil à moins de 8 m d'un liquide inflammable.

En cas d'incendie, rester à distance de l'appareil et appeler immédiatement les pompiers. Ne pas tenter d'éteindre un incendie causé par de l'huile ou de la graisse avec de l'eau.

Le non-respect de ces instructions pourrait provoquer un incendie ou une explosion susceptible d'endommager les biens et de causer des blessures ou la mort.

Introduction

AVERTISSEMENT : Si les informations contenues dans ces instructions ne sont pas suivies à la lettre, un incendie ou une explosion peut causer des dommages matériels, des blessures ou la mort.

- Ne pas entreposer ou utiliser de l'essence ou d'autres liquides ou vapeurs inflammables à proximité de cet appareil ou de tout autre appareil. Ne pas entreposer de bouteilles de propane non raccordées à proximité de cet appareil ou de tout autre appareil.
- Afficher ces instructions dans un endroit bien en vue :
 - Que faire si vous sentez le gaz :
 - N'essayez pas d'allumer un appareil.
 - Ne touchez aucun interrupteur électrique.
 - N'utilisez aucun téléphone dans votre habitation.
 - Appelez immédiatement votre fournisseur de gaz depuis le téléphone d'un voisin. Suivez les instructions du fournisseur de gaz.
 - Si vous ne parvenez pas à joindre votre fournisseur de gaz, appelez les pompiers.
- L'entretien doit être effectué par un installateur qualifié, une société d'entretien d'appareils à gaz ou un fournisseur de gaz.

AVERTISSEMENT : Une installation, un réglage, une modification ou un entretien inadéquats peuvent causer des dommages matériels, des blessures ou la mort. Lire attentivement les instructions d'installation, d'utilisation et d'entretien avant d'installer ou de réparer cet équipement.

Ce mode d'emploi contient des informations importantes nécessaires au bon montage et à l'utilisation sûre de l'appareil.

Lire et respecter tous les avertissements et instructions avant de procéder au montage et d'utiliser l'appareil. Respecter tous les avertissements et instructions lorsque vous utilisez l'appareil. Conserver ce manuel afin de pouvoir vous y référer ultérieurement.

Ce produit n'est pas destiné à un usage commercial.

Table des matières

| | |
|--|----|
| CONSEILS GÉNÉRAUX | 10 |
| APERÇU DU PRODUIT | 12 |
| SPÉCIFICATIONS DU GAZ | 14 |
| 1 FONCTIONNEMENT ET INSTALLATION | 17 |
| CONSIDÉRATIONS RELATIVES À LA SÉCURITÉ | 18 |
| INCENDIE | 19 |
| MONOXYDE DE CARBONE | 19 |
| 2 INSTALLATION ET ACCESSOIRES | 21 |
| RÉGLAGE DES PIERRES | 22 |
| INSTALLATION DU GARDE-FEUX | 23 |
| ET DU PROTECTEUR DE BRÛLEUR | |
| DÉPLACEMENT DU FOUR | 24 |
| EMPLACEMENT DU FOUR | 25 |
| AFFICHAGE DIGITAL DE LA TEMPÉRATURE | 28 |
| RÉGLAGE | 29 |
| DÉPANNAGE DE PLAGES | |
| DE TEMPÉRATURE RECOMMANDÉES | 30 |
| L’AFFICHAGE DIGITAL DE LA TEMPÉRATURE | 30 |
| CODE D’ERREUR E1 | 30 |
| CODE D’ERREUR E3 | 30 |
| ACCESSOIRES EN OPTION | 31 |
| MANTEAU DE L’ARC | 31 |
| FONCTION BOOSTER DE L’ARC | 31 |
| HOUSSE DE L’ARC | 31 |
| 3 ALLUMAGE AU GAZ | 33 |
| RACCORDEMENT AU GAZ | 34 |
| SÉCURITÉ DU GAZ | 35 |
| CONSIDÉRATIONS RELATIVES À LA SÉCURITÉ | 38 |
| INSTALLATION DE LA | |
| BATTERIE DE L’ALLUMEUR | 39 |
| BRANCHEMENT DU FLEXIBLE DE GAZ | 40 |
| RÉGULATEUR (DANS LE SENS DES | |
| AIGUILLES D’UNE MONTRE) | 41 |
| TEST DE FUITE | 42 |
| ALLUMAGE | 43 |
| PREMIÈRE MISE EN SERVICE | 44 |

| | |
|---|----|
| DÉPANNAGE DU BRÛLEUR À GAZ | 45 |
| ALLUMAGE AVEC UNE ALLUMETTE | 46 |
| DÉBRANCHEMENT DU GAZ | 47 |
| RÉGULATEUR (DANS LE SENS DES AIGUILLES D'UNE MONTRE) | 47 |
| 4 ENTRETIEN GÉNÉRAL | 49 |
| ENTRETIEN | 50 |
| NETTOYAGE DU BRÛLEUR VENTURI | 50 |
| NETTOYAGE DU FOUR | 51 |
| INTERNE | 51 |
| EXTERNE | 52 |
| REMPACEMENT DE LA SONDE | 53 |

CONSEILS GÉNÉRAUX

L'Arc devient extrêmement chaud et ne doit pas être utilisé par des enfants. Ne laissez pas les enfants s'approcher de l'appareil pendant ou après son utilisation. L'Arc peut rester chaud quelques heures après son utilisation.

Ne pas utiliser sur le balcon ou la terrasse d'un appartement ou d'un immeuble.

L'Arc n'est pas destiné à être utilisé comme chauffage et ne doit jamais l'être.

L'Arc n'a pas été conçu ni prévu pour être utilisé sur un bateau ou dans un camping-car, ni dans aucune autre zone fermée.

Le montage et l'utilisation du four doivent être réalisés par une personne compétente.

La prise d'alcool ou de médicaments avec ou sans ordonnance peut affecter la capacité des consommateurs à monter ou utiliser l'appareil en toute sécurité.

Ne pas utiliser d'ustensiles en plastique ou en verre à l'intérieur du four.

Portez des gants résistants à la chaleur lorsque vous vous servez du four.

Ne pas insérer dans l'Arc d'éléments plus gros que la dimension de la bouche du four.

Ne pas remplir l'Arc ni couvrir le brûleur.

Ne pas déplacer l'Arc lorsqu'il est en marche.

Ne pas utiliser l'Arc par vents forts. Le vent peut éteindre les flammes et également engendrer une pression de l'air irrégulière, et ainsi faire sortir les flammes ou la chaleur par l'arrière de l'Arc. Utiliser un brise-vent dans les zones ouvertes mais l'installer à une distance minimale de 45 cm de l'appareil.

Ne pas verser d'eau sur la pierre de cuisson car elle pourrait se fissurer, ce qui s'avérerait dangereux en raison de la présence d'huile et de graisse.

Ne pas porter de vêtements ni de manches amples et inflammables près de l'Arc.

Les pièces scellées par le fabricant ou l'agent ne doivent pas être manipulées par l'utilisateur.

Ne jamais brûler de bois dans le four.

Si l'appareil est installé dans une pièce, assurez-vous qu'il y a une ventilation adéquate pour éviter les concentrations élevées de monoxyde de carbone.

Assurez-vous que le four est placé sur une surface plane.

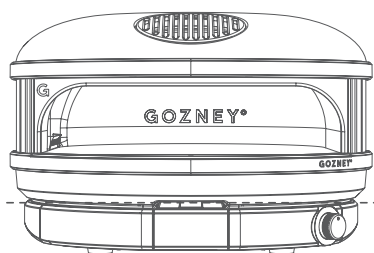
Ne pas bloquer les perforations qui assurent la ventilation et la dissipation thermique.

Ne pas utiliser l'appareil à l'intérieur, dans un garage ou dans une zone fermée, il n'est adapté qu'à une utilisation à l'extérieur.

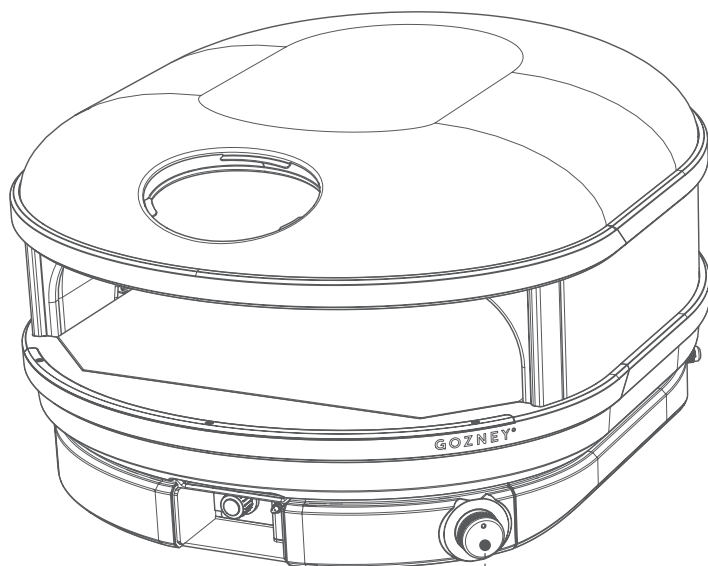
Le non-respect de ces instructions pourrait provoquer un incendie ou un risque de brûlure susceptible d'endommager les biens et de causer des blessures ou la mort.

Pour les pièces de rechange, contactez-nous à enquiries@gozney.com / inquiries@gozney.com

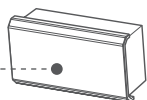
Aperçu du produit - Contenu du carton



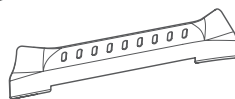
Four
Châssis



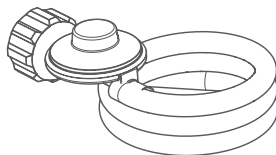
Thermomètre



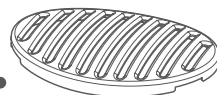
Bouton de commande de gaz



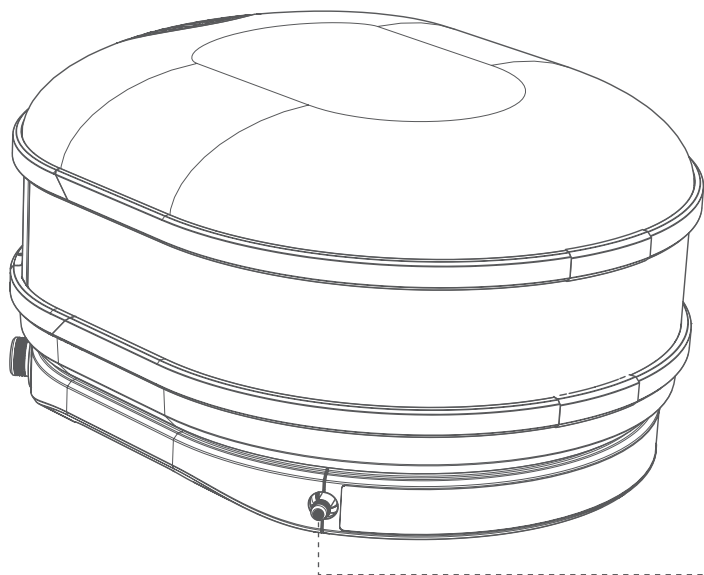
Flexible de gaz et régulateur



Protecteur de brûleur



Sortie du conduit



Entrée de gaz



Outil de réglage
de la pierre



Tournevis Torx



Porte-allumettes

SPÉCIFICATIONS DU GAZ

Plaque signalétique complète située à l'arrière du châssis du four.

| | |
|--|---------------------------|
| Gozney Group Ltd, Bobbys, Third floor, The Square, 2-12 Commercial Rd, Bournemouth BH2 5LP | |
| Nom de l'appareil : | Gozney Arc, Gozney Arc XL |
| Numéro du type : | |
| Arc : | GOZ-1485 |
| Arc XL : | GOZ-1728 |
| Nom commercial : | Gozney Arc, Gozney Arc XL |

Configuration au GPL

| | |
|--|-----------------|
| Puissance calorifique nominale totale du brûleur à gaz | |
| Arc : | 4.5kw (330g/h) |
| Arc XL : | 5.25kw (390g/h) |
| Taille d'injecteur (mm) | |
| Arc : | 1.1 |
| Arc XL : | 1.2 |
| BTU par heure | |
| Arc : | 14400 |
| Arc XL : | 17500 |
| Type de gaz | Propane |
| Pression du gaz | 11 "W.C. |

Veuillez lire les instructions avant d'utiliser l'appareil.

AVERTISSEMENT : les pièces accessibles peuvent être très chaudes. Tenir les jeunes enfants éloignés de l'appareil.

AVERTISSEMENT ! Ne pas utiliser d'alcool ni d'essence pour allumer ou rallumer l'appareil !

(Pour le brûleur à bois.)

Cette section explique en détail l'utilisation et l'installation correctes d'un Gozney Arc.



Fonctionnement et installation

CONSIDÉRATIONS RELATIVES À LA SÉCURITÉ

Cet appareil doit être installé sur une base plane et stable avant toute utilisation.

AVERTISSEMENT : lorsqu'il est en marche, l'appareil devient très chaud ; évitez donc de le déplacer.

AVERTISSEMENT : le tenir hors de la portée des enfants et des animaux domestiques.

Ne pas utiliser le four dans des zones fermées. L'unité de l'Arc et le brûleur doivent toujours être bien ventilés.

Ne pas utiliser d'ustensiles en plastique ou en verre à l'intérieur de l'Arc.

Ne pas déplacer ni laisser l'Arc en marche sans surveillance.

Ne pas utiliser l'Arc par vents forts. Le vent peut éteindre les flammes.

Ne pas renverser ou verser de l'eau sur la sole. Cela est dangereux et peut fissurer la pierre.

Ne pas porter de vêtements ni de manches amples inflammables.

Ne pas couvrir la bouche du four lorsqu'il y a une flamme active, cela risque d'endommager le four.

—

Ce four n'est pas destiné à être installé dans ou sur des camping-cars.

—

Les bords de l'appareil peuvent être tranchants ! Veuillez faire preuve de prudence.

—

Le four peut devenir très chaud. Ne pas utiliser la trappe supplémentaire lorsque le four est en marche.

AVERTISSEMENT : Contactez votre municipalité pour connaître les codes du bâtiment locaux qui s'appliquent à l'utilisation, à l'installation et au fonctionnement des barbecues extérieurs.

Les installations extérieures doivent être conformes aux codes locaux ou, en l'absence de tels codes, aux normes suivantes :

National Fuel Gas Code – ANSI Z223.1/
NFPA 54, le Code d'installation du gaz naturel et du propane – CSA B149.1 ou le Code sur le stockage et la manipulation du propane – CSA B149.2

Serrer tous les raccords de gaz conformément aux instructions. Ne pas modifier l'appareil. Les pièces scellées par le fabricant ou l'entreprise ne doivent pas être manipulées.

MONOXYDE DE CARBONE

Le monoxyde de carbone est un gaz extrêmement toxique qui peut être produit lorsque l'appareil n'est pas suffisamment ventilé.

Nous recommandons donc d'utiliser les brûleurs à gaz et à bois dans un endroit bien ventilé à l'abri du vent et de ne jamais couvrir la bouche du four lorsqu'il y a une flamme nue.

Il est difficile de savoir lorsque votre appareil produit du monoxyde de carbone car il s'agit d'un gaz inodore et incolore.

Toutefois, en cas d'exposition, il peut provoquer les symptômes suivants :

- Serrement au niveau du front
- Maux de tête
- Faiblesse
- Vertiges
- Nausées
- Vomissements
- Coma, convulsions intermittentes
- Fonction cardiaque ralentie, respiration lente

Si l'exposition a été importante, il peut entraîner la mort.

Veillez suivre la réglementation locale et installer un détecteur de monoxyde de carbone au besoin.

INCENDIE

La plupart des incendies sont causés par une accumulation de graisse ou (si vous utilisez le gaz) un mauvais raccordement au gaz. En cas d'incendie, assurez-vous que toutes les personnes et tous les animaux domestiques restent éloignés autant que possible.

Utilisez un extincteur si possible, mais si l'eau est le seul retardateur de feu disponible, arrosez bien la zone autour de l'appareil. Lorsque vous vaporisez de l'eau sur l'Arc lui-même, n'utilisez pas un jet d'eau puissant car cela pourrait produire des éclaboussures de graisse brûlante et entraîner une propagation du feu.

Cette section explique en détail le réglage du four et les accessoires inclus dans votre Arc.

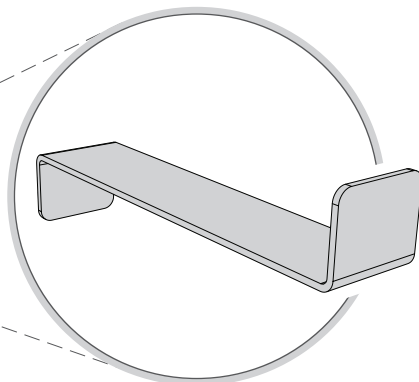
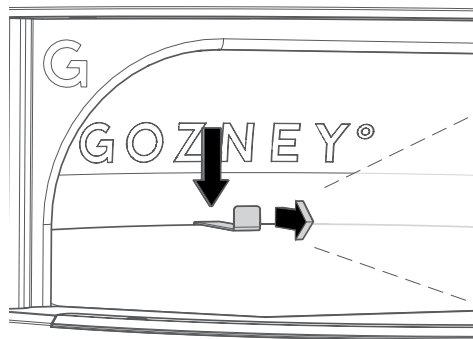
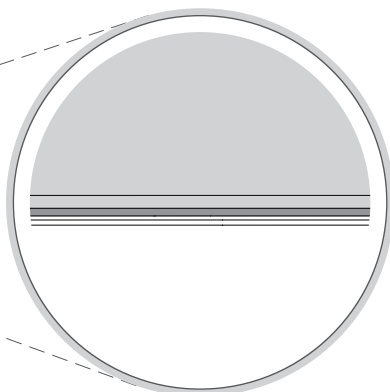
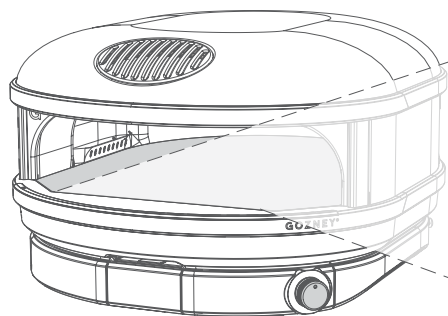
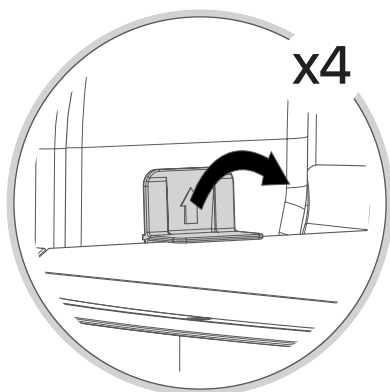


Installation et accessoires

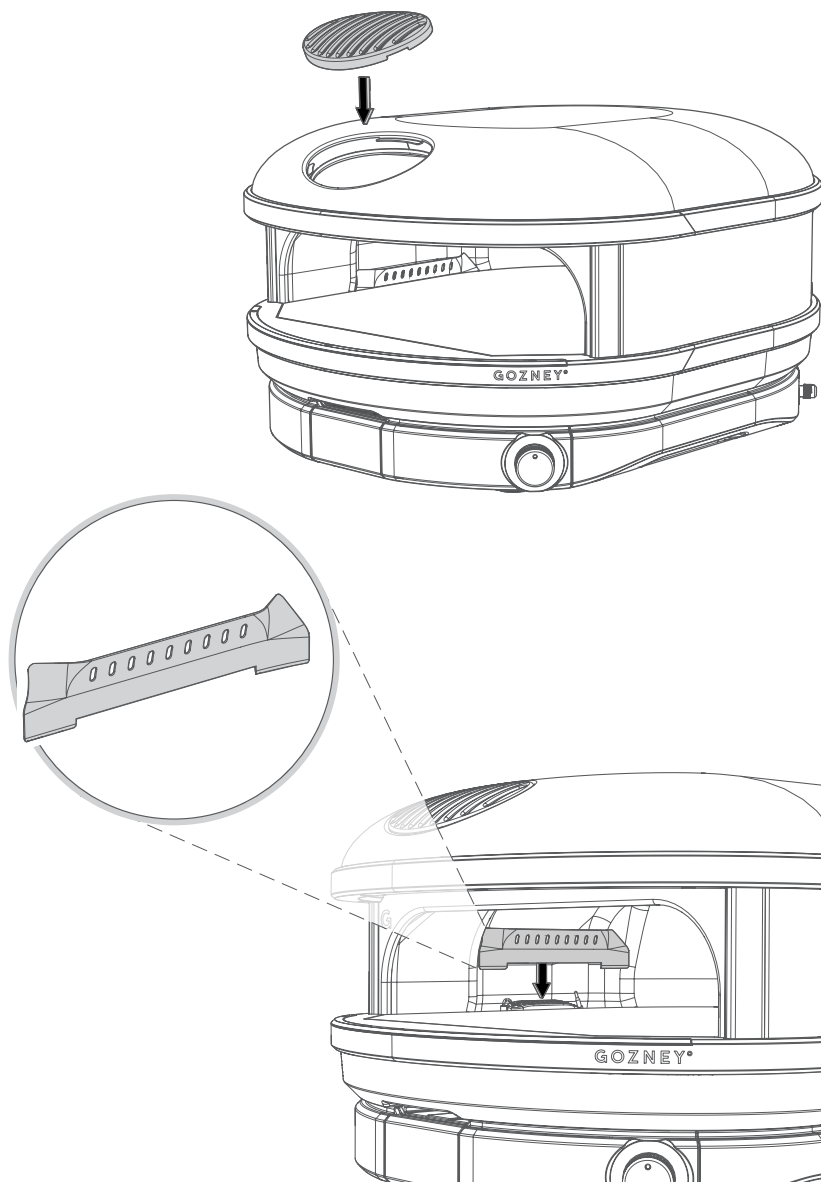
Réglage des pierres

Avant d'utiliser l'Arc, il est important de retirer les quatre cales bleues de maintien de la pierre et les autres emballages à l'intérieur du four.

La conception de la pierre amovible de l'Arc signifie qu'elle n'est pas fixée à l'intérieur du four et peut donc se déplacer vers l'arrière pendant le transport. En cas d'espace important visible à l'avant de la pierre, vous pouvez utiliser l'outil de réglage de la pierre inclus pour accrocher l'arrière de la pierre et la tirer vers l'avant.



Montage du garde-feux et du protecteur de brûleur

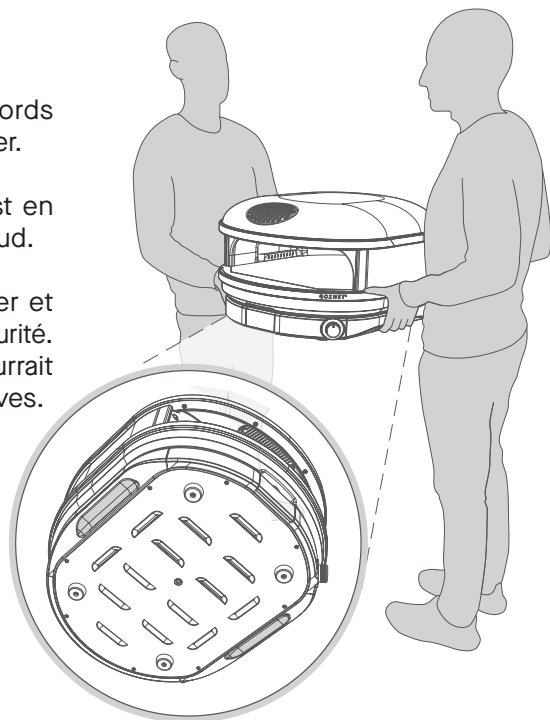


Déplacement du four

Utilisez les poignées sur les bords inférieurs du four pour le transporter.

Ne pas déplacer l'Arc lorsqu'il est en marche ou lorsqu'il est encore chaud.

Assurez-vous de pouvoir déplacer et mettre en place le four en toute sécurité. Si vous ne le faites pas, cela pourrait causer des lésions corporelles graves.

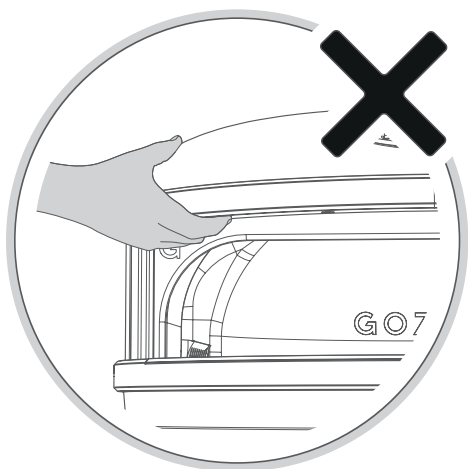


Ne pas utiliser la bouche du four comme point de levage.

Retirez toute pièce non fixée et tout l'emballage de transport dans le four avant de le déplacer.

Planifiez toujours l'itinéraire que vous allez prendre, éliminez tous les obstacles sur votre chemin et assurez-vous que le four suivra l'itinéraire prévu.

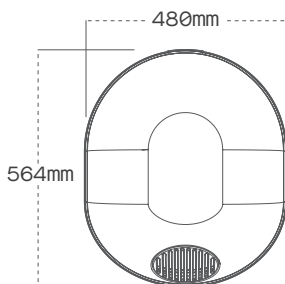
Assurez-vous que la zone où vous déplacez le four est conforme aux directives de la page suivante.



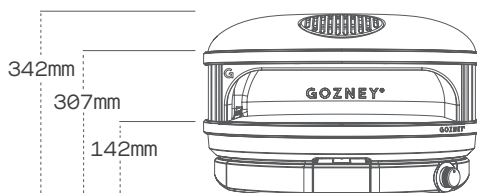
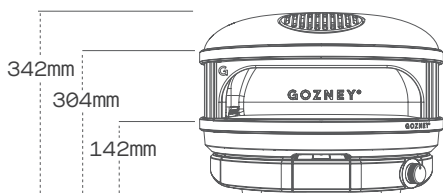
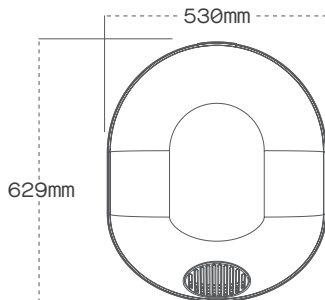
EMPLACEMENT DU FOUR

Lorsque vous avez décidé de l'emplacement de l'Arc, assurez-vous que la zone est suffisamment grande pour accueillir le four avec 50 mm autour de la base du châssis pour l'entrée d'air. Assurez-vous toujours que rien n'obstrue le flux d'air de combustion et de ventilation.

Arc



Arc XL



AVERTISSEMENT

Lors de la mise en place de votre four, il est important de laisser un espace approprié par rapport à la structure combustible. S'assurer que l'Arc présente un espace de 30 cm (à l'arrière et sur les côtés) et un espace de 90 cm (avant) par rapport à toute structure combustible.

Le four ne doit en aucun cas être placé sous ou sur une structure combustible.

Toujours garder la zone autour du four à l'abri des matières combustibles, de l'essence et des autres vapeurs et liquides inflammables.

Il est également important de garder les ouvertures de ventilation de l'enceinte de la bouteille libres et à l'abri des débris.

Nous recommandons que la hauteur de la sole soit à peu près au niveau du bas du coude de l'utilisateur (habituellement à environ 95 cm du sol).

Assurez-vous que la surface sur laquelle le four est placé est complètement de niveau, stable et capable de supporter facilement le poids du four – Arc de 10 kg, Arc XL de 55 kg.



AVERTISSEMENT

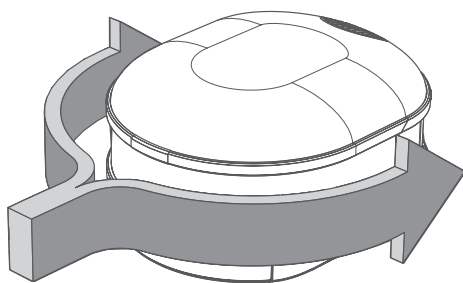
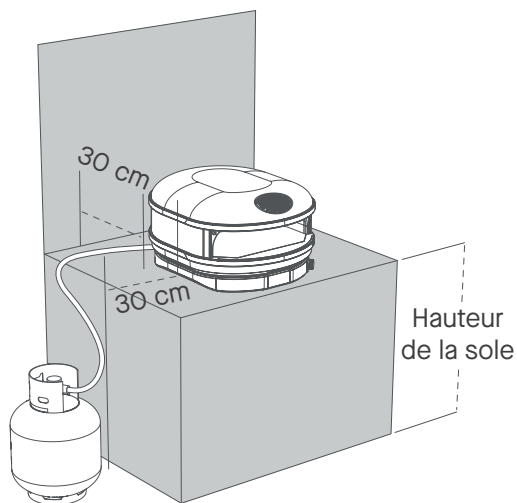
Risque de basculement, manipuler avec soin.

Il faut tenir compte du vent lors du choix d'un emplacement. Le four doit être orienté de manière à ce que la bouche ne fasse pas face au vent. Éviter d'utiliser le four en cas de vent, il est important d'avoir des brise-vent situés autour du four pour empêcher le vent d'éteindre la flamme dans le châssis. Si vous voyez du feu provenant du châssis, coupez l'alimentation du four au niveau de la bouteille de gaz ou à l'aide du bouton de commande.



AVERTISSEMENT

Ne jamais utiliser le four par vents forts ou si le vent souffle dans la bouche du four.



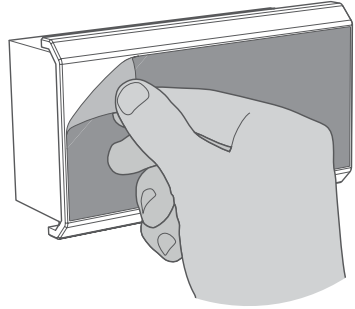
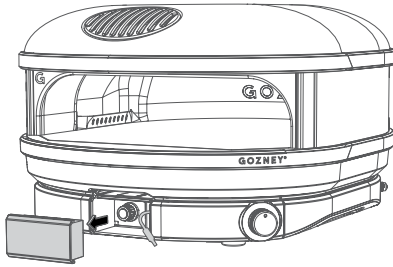
Ce four ne doit être utilisé qu'à l'extérieur et non à l'intérieur d'un garage, d'un bâtiment ou de tout autre espace clos.

Un appareil est considéré comme étant à l'extérieur s'il est installé dans une enceinte comportant des murs sur au plus trois côtés et aucun toit; toutes les ouvertures doivent être ouvertes en permanence; les portes coulissantes, les portes de garage, les fenêtres et les ouvertures grillagées ne sont pas considérées comme des ouvertures permanentes.

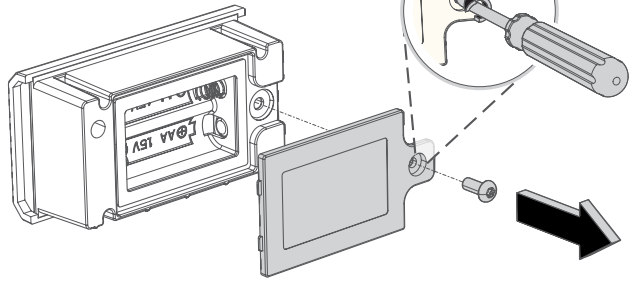
Ne pas utiliser sous une structure aérienne.

Affichage digital de la température

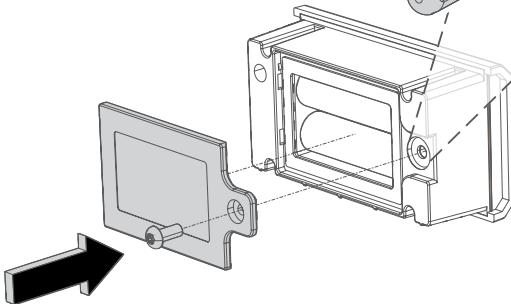
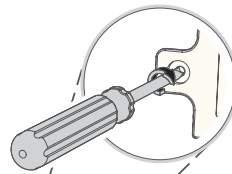
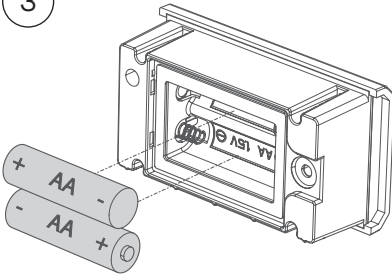
1



2



3

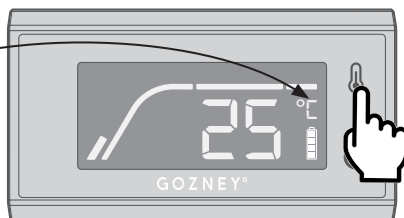
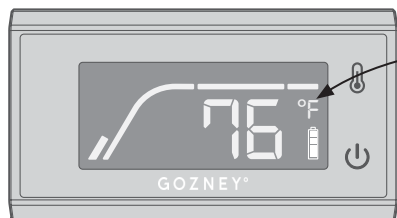
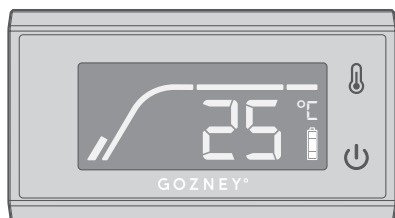
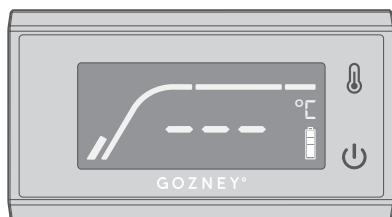
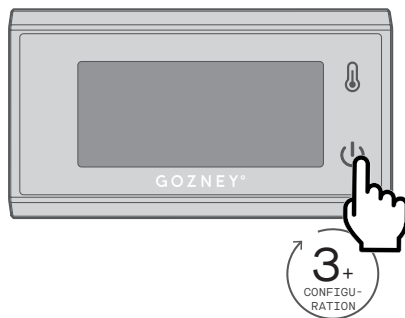
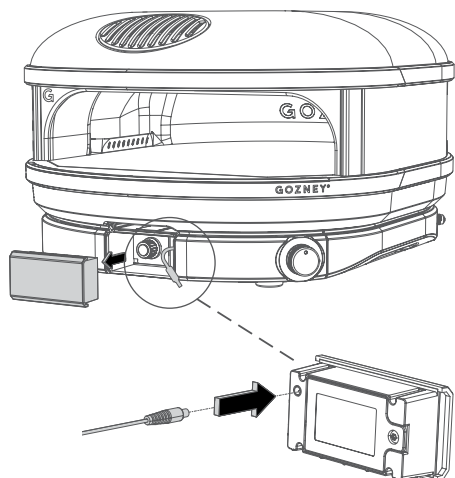


4

EN SECONDES

Après avoir installé les piles, maintenez le bouton d'alimentation enfoncé jusqu'à ce que l'écran s'allume. Découvrez la prise du capteur en retirant le bouchon en plastique et branchez-le à l'arrière de l'écran, l'écran indiquera alors la température à l'intérieur du four.

L'affichage digital de la température est maintenu en place par des aimants.



Affichage digital de la température

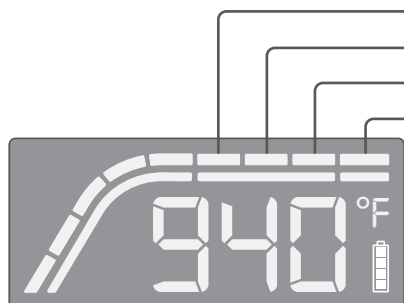
Plages de température recommandées :

Pizza new-yorkaise – +600 - 700°F (+315 - 370°C)

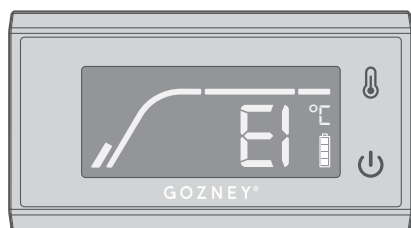
Pizza romaine – 700 - 800°F (315 - 425°C)

Pizza napolitaine – 800 - 900°F (425 - 480°C)

Surchauffe (trop chaud) – +900°F (+480°C)



DÉPANNAGE

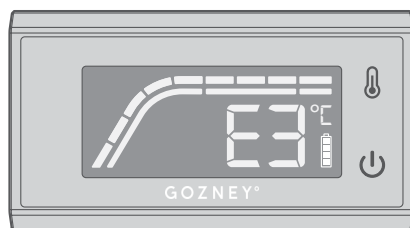


CODE D'ERREUR E1

Si le thermomètre affiche un code d'erreur E1. Cela est dû à l'une des situations suivantes :

1) Il y a un mauvais contact entre le connecteur mâle et le thermomètre. Assurez-vous que le connecteur mâle est complètement enfoncé dans la prise à l'arrière du thermomètre.

2) La sonde est endommagée. Il se peut que la sonde doive être remplacée. Veuillez consulter les instructions d'entretien à la fin du manuel (page 53).



CODE D'ERREUR E3

Si le thermomètre affiche un code d'erreur E3. Cela est dû au fait que la sonde du four dépasse la température de 700°C / 1292°F. Utiliser le four au-dessus de cette température peut endommager l'appareil.

Pour résoudre ce problème, éteignez le brûleur à gaz et laissez le four refroidir naturellement.

N'essayez pas de refroidir rapidement le four. Cela risque de fissurer la sole en pierre ou d'endommager le four.

Accessoires en option

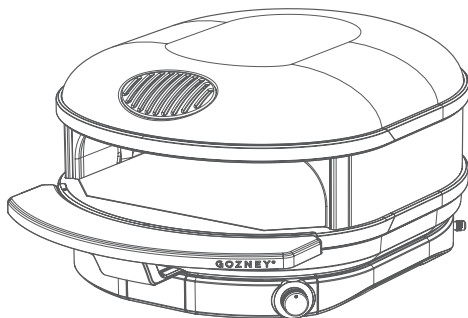
Non incluse, elle doit être achetée séparément.

Pour plus de détails, visitez le site internet de Gozney. www.gozney.com.

MANTEAU DE L'ARC

Que vous fassiez cuire une pizza napolitaine, rôtir des légumes ou fumer de la viande, le manteau de l'Arc facilite l'entrée et la sortie des aliments du four.

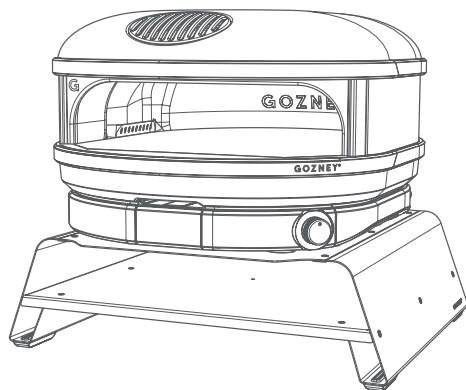
S'insérant facilement sur le four, le manteau est fabriqué en acier inoxydable et en un alliage d'aluminium de qualité alimentaire recouvert de céramique pour une résistance supplémentaire à la chaleur et aux rayures.



FONCTION BOOSTER DE L'ARC

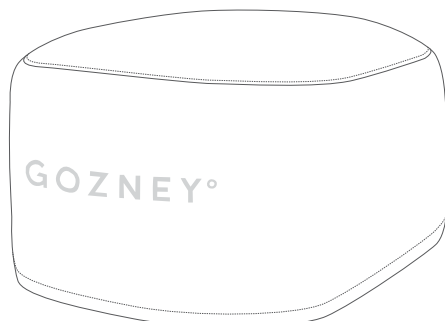
Améliorez votre cuisson et votre four avec le la fonction Booster de l'Arc qui vous permet d'utiliser l'Arc à la hauteur optimale lorsqu'il est placé sur un comptoir ou une table à l'extérieur.

Le plateau facile d'accès vous permet d'avoir tous vos accessoires à portée de main pendant que vous utilisez le four et fournit un endroit sûr pour les ranger entre deux utilisations.



HOUSSE DE L'ARC

Conçue pour s'adapter parfaitement à votre four sur un comptoir, la housse de l'Arc est fabriquée à partir de matériaux de qualité marine résistant aux intempéries. Tout en offrant une protection complète contre la pluie, le vent, le gel, les UV, le sel, les insectes et la faune sauvage, la housse de l'Arc reste respirante pour laisser l'humidité s'échapper si nécessaire.



Votre guide du gaz de combustion

3

**Allumage au
gaz**

Raccordement au gaz

Vérifiez que le gaz que vous utilisez est spécifié sur la page de la plaque signalétique.

La bouteille de gaz utilisée doit être munie d'un capuchon pour protéger la vanne. N'utilisez pas une bouteille qui est rouillée, bosselée ou dont la vanne est endommagée.

L'appareil doit être alimenté uniquement par une bouteille de gaz PL (propane liquide) mesurant 30,5 cm de diamètre et 45,7 cm de hauteur avec un poids de 9,1 kg. La bouteille de gaz (réservoir) doit intégrer un robinet de bouteille de type 1 et un dispositif de protection contre le surremplissage.

La bouteille de gaz doit être fabriquée et marquée conformément aux caractéristiques des bouteilles de GPL énoncées par le ministère américain des Transports (DOT) ou la norme CAN/CSA-B339 relative aux bouteilles à gaz cylindriques et sphériques et tubes pour le transport des marchandises dangereuses ou suivantes.

En conséquence, branchez le régulateur sur la bonbonne de gaz en suivant les instructions. Ne forcez pas sur le régulateur sous peine d'endommager la bouteille de gaz.

Si le gril à gaz est alimenté en propane à partir d'une bonbonne portative, un régulateur spécifié par le fabricant doit être utilisé. Le régulateur de gaz doit fournir une pression de 11 pouces de colonne d'eau (0,39 PSI) au gril à gaz et avoir un raccord de type QCC1.

Ne jamais remplir la bouteille à plus de 80 %. Si les informations précédentes ne sont pas suivies à la lettre, un incendie entraînant la mort ou des blessures graves peut se produire.

AVERTISSEMENT : Si, à tout moment, vous sentez le gaz : coupez l'arrivée de gaz au niveau de la bouteille, mettez l'interrupteur de l'Arc sur arrêt et éteignez toute flamme nue.

Si l'odeur persiste, éloignez-vous de l'Arc et de l'alimentation en gaz et contactez votre fournisseur de gaz ou les pompiers.

Assurez-vous que la bouteille de GPL ou la vanne de régulation est fermée.

N'entreposez pas de bouteilles de GPL de rechange sous ou près de l'appareil.

Raccordement de la bouteille : Assurez-vous que le flexible du régulateur de gaz n'est pas plié. Retirez le capuchon ou le bouchon de la vanne de carburant de la bouteille. Insérez le raccord noir du régulateur QCC1 sur la vanne de carburant QCC1. Serrez à la main dans le sens des aiguilles d'une montre. N'utilisez pas d'outils. Testez les fuites au niveau de tous les joints avant d'utiliser le gril. Un test de fuite doit être effectué chaque année et chaque fois qu'une bouteille est branchée ou si une partie du circuit de gaz est remplacée.

Sécurité du gaz

Avant de les utiliser, vérifiez que le four, le brûleur et le brûleur venturi ne sont pas bloqués (p. ex. par des résidus alimentaires ou des nids d'insectes, comme des guêpes, des abeilles ou des fourmis). S'ils renferment un nid d'insectes, cela peut être dangereux et il faut alors effectuer un nettoyage complet. Veuillez consulter la section Nettoyage et entretien pour obtenir des conseils.

Si l'appareil s'éteint pour quelque raison que ce soit, mettez le bouton de commande sur arrêt et fermez la vanne de la bouteille de gaz. Attendez 5 minutes avant de rallumer l'appareil.

Certains aliments produisent des graisses et des jus inflammables. Par conséquent, l'Arc ne doit jamais être laissé sans surveillance lorsqu'il est utilisé. Les dommages causés par les feux de graisse ne sont pas couverts par la garantie. En cas de feu de graisse, mettez immédiatement le bouton du brûleur sur arrêt et fermez la vanne de la bouteille de gaz jusqu'à ce que le feu soit éteint. Retirez tous les aliments de l'appareil.

Un test de fuite doit être effectué avant d'utiliser l'appareil pour la première fois et chaque fois que la bouteille de gaz est à nouveau remplie ou que le flexible de gaz et le régulateur ont été débranchés de la bouteille de gaz ou de l'appareil.

Retirez tous les emballages avant d'essayer d'allumer le brûleur à gaz.

Veuillez prendre un moment pour examiner toutes les exigences de sécurité avant d'utiliser l'appareil s'il fonctionne au gaz.



Retirez le capuchon de l'entrée de gaz avant de raccorder le flexible. Assurez-vous qu'il est exempt de dommages et de débris.



Ne débranchez aucun raccord de gaz pendant que l'appareil est en cours d'utilisation.



Vérifiez tous les flexibles et raccords de gaz afin de vous assurer qu'ils ne présentent aucune coupure, fissure ni autre dommage avant chaque utilisation. En cas d'abrasion ou d'usure excessive d'un flexible, celui-ci doit être remplacé par un flexible homologué par Gozney avant utilisation.



Les bouteilles de gaz ne doivent pas être entreposées dans des zones fermées.



Maintenez le flexible d'alimentation en carburant à distance des surfaces chauffées ou à l'abri de la lumière du soleil.



N'utilisez aucune substance inflammable supplémentaire si le four fonctionne au gaz.



Ne pas toucher ! L'Arc peut devenir extrêmement chaud lorsqu'il est en marche. Veillez à porter des gants de protection lorsque vous utilisez le four.



Conservez la bouteille à l'extérieur en position droite.



Ne branchez pas plusieurs bouteilles de gaz sur l'Arc, n'entreposez aucune bouteille de rechange à proximité.



Ne placez pas la bouteille de gaz sous le four.



N'utilisez jamais de flamme nue pour contrôler l'absence de fuite de gaz.



Les exigences nationales indiquent la fréquence à laquelle il faut remplacer le flexible. Veuillez lire celles qui s'appliquent à votre zone géographique.



Assurez-vous que le flexible n'est pas tordu lorsque l'appareil est en marche.



Lors de tout essai de pression du circuit de gaz à des pressions d'essai supérieures à 0,5 PSI (3,5 KPA), la vanne d'arrêt doit être débranchée du système de tuyauterie d'alimentation en gaz.



NE JAMAIS couvrir les fentes, les trous ou les passages dans le fond du four ou couvrir un châssis entier avec des matériaux tels que du papier alu. Cela bloque la circulation d'air dans le four et peut provoquer une intoxication au monoxyde de carbone. Les revêtements en papier alu peuvent emprisonner la chaleur et causer un risque d'incendie.



La surface de cuisson du châssis/de la pierre du four est destinée à la cuisson des pizzas et des produits panifiés uniquement.



L'installation de votre four doit être conforme aux codes locaux ou, en l'absence de tels codes, au National Fuel Gas Code, ANSI Z223.1/NFPA 54 ou, au Canada, au Code d'installation du gaz naturel et du propane, CSA B149.1.

AVERTISSEMENT

NE JAMAIS utiliser cet appareil comme appareil de chauffage pour chauffer ou réchauffer la pièce. Cela peut entraîner une intoxication au monoxyde de carbone et une surchauffe du four.



Ne pas utiliser la porte lorsque le brûleur à gaz fonctionne. Ne jamais couvrir la bouche du four lorsque le brûleur à gaz est en marche.



Les armoires de rangement ne sont pas autorisées au-dessus du four.



Ne pas utiliser la zone de cuisson du four comme espace de rangement.



Ne pas entreposer de bouteilles de propane de recharge sous cet appareil ou à proximité et ne jamais remplir la bouteille à plus de 80 %. Si ces instructions ne sont pas suivies à la lettre, un incendie peut causer des blessures graves ou la mort.

CONSIDÉRATIONS RELATIVES À LA SÉCURITÉ

Cet appareil doit être installé sur une base plane et stable avant toute utilisation.

AVERTISSEMENT : lorsqu'il est en marche, l'appareil devient très chaud ; évitez donc de le déplacer.

AVERTISSEMENT : le tenir hors de la portée des enfants et des animaux domestiques.

Ne pas utiliser le four dans des zones fermées. L'unité de l'Arc et le brûleur doivent toujours être bien ventilés.

Ne pas utiliser d'ustensiles en plastique ou en verre à l'intérieur de l'Arc.

Ne pas déplacer ni laisser l'Arc en marche sans surveillance.

Ne pas utiliser l'Arc par vents forts. Le vent peut éteindre les flammes.

Ne pas renverser ou verser de l'eau sur la sole. Cela est dangereux et risque de fissurer la pierre.

Ne pas porter de vêtements ni de manches amples inflammables.

Ne pas couvrir la bouche du four lorsqu'il y a une flamme active, cela risque d'endommager le four.

Ce four n'est pas destiné à être installé dans ou sur des camping-cars.

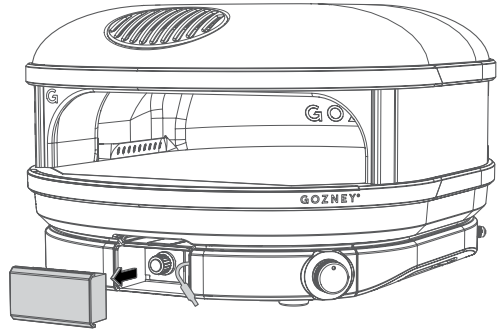
Les bords de l'appareil peuvent être tranchants ! Veuillez faire preuve de prudence.

AVERTISSEMENT : Contactez votre municipalité pour connaître les codes du bâtiment locaux qui s'appliquent à l'utilisation, à l'installation et au fonctionnement des barbecues extérieurs.

Les installations extérieures doivent être conformes aux codes locaux ou, en l'absence de tels codes, aux normes suivantes :

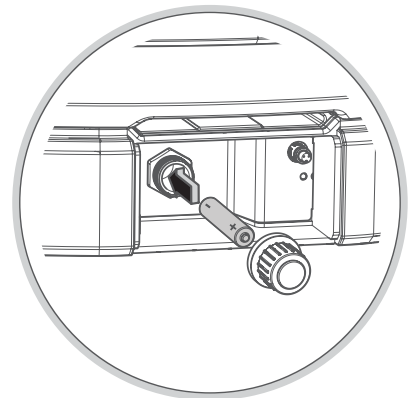
National Fuel Gas Code – ANSI Z223.1/
NFPA 54, le Code d'installation du gaz naturel et du propane – CSA B149.1 ou le Code sur le stockage et la manipulation du propane – CSA B149.2

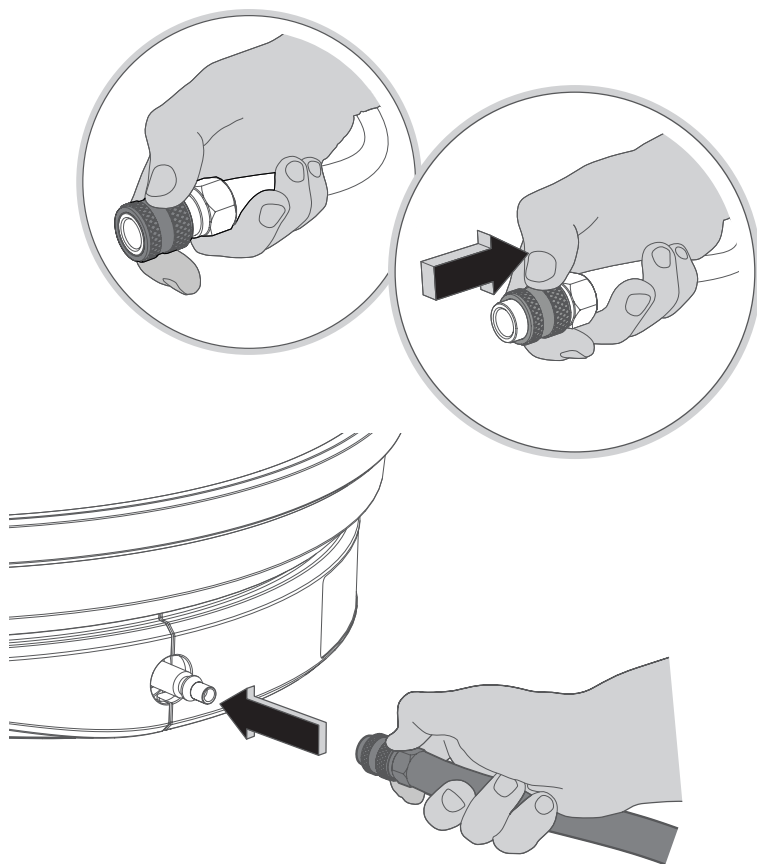
Serrer tous les raccords de gaz conformément aux instructions. Ne pas modifier l'appareil. Les pièces scellées par le fabricant ou l'entreprise ne doivent pas être manipulées.



INSTALLATION DE LA BATTERIE DE L'ALLUMEUR

Avant d'utiliser le brûleur à gaz pour la première fois, vous devez installer une pile AAA dans le module d'allumage. Pour ce faire, retirez le thermomètre de l'avant du four, le module se trouve à l'intérieur, à gauche. Dévissez le capuchon et placez la pile (extrémité négative en premier) avant de remettre le thermomètre dans sa position d'origine dans le châssis. Vous pouvez maintenant raccorder la bouteille de gaz au four.



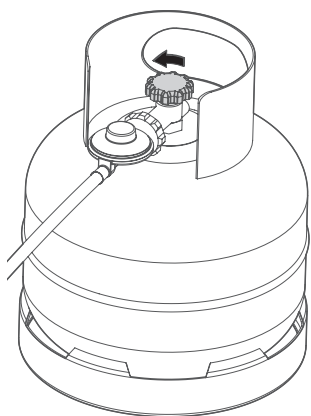
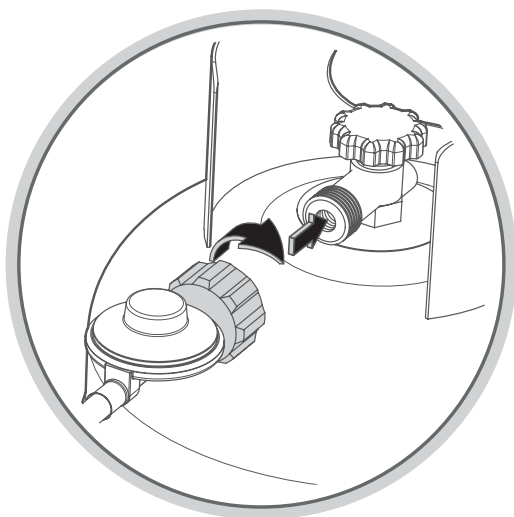


RACCORDEMENT DU FLEXIBLE DE GAZ

Pour fixer le flexible de gaz de connexion rapide sur votre Arc, tirez le collier sur le connecteur et placez le flexible sur l'entrée de gaz. Lorsque vous relâchez le collier, il doit revenir dans sa position d'origine librement. Un test de fuite doit être effectué sur ce raccordement avant d'utiliser le four.

Inspecter le flexible avant chaque

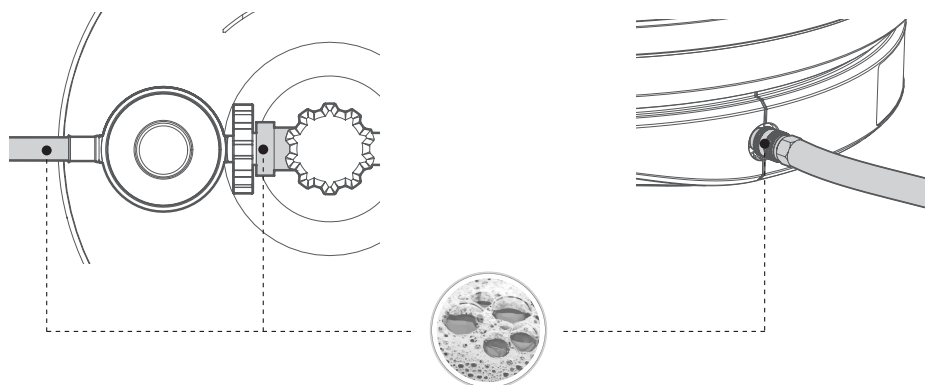
utilisation de l'appareil. En cas de signes d'abrasion, d'usure, de coupures ou de fuites, le flexible doit être remplacé avant la mise en marche de l'appareil. Tout ensemble flexible ou régulateur de pression de rechange doit être celui spécifié par Gozney, pour plus de détails, visitez le site Web de Gozney, www.gozney.com. Gardez le flexible de gaz à l'écart de toute surface chauffée.



RÉGULATEUR (DANS LE SENS DES AIGUILLES D'UNE MONTRE)

S'assurer que la bouteille de gaz est fermée. Alignez le régulateur et les filets de la bouteille de gaz et commencez à serrer soigneusement en vous assurant que les filets ne sont pas croisés. Continuez jusqu'à ce que le raccord soit bien serré. Un test de fuite doit être effectué sur ce raccordement avant d'utiliser le four.

Test de fuite



AVERTISSEMENT

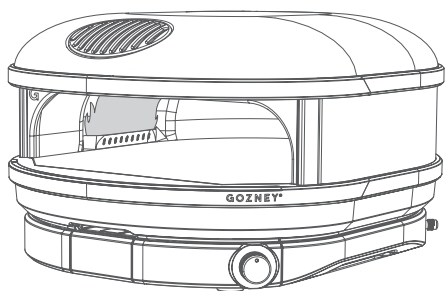
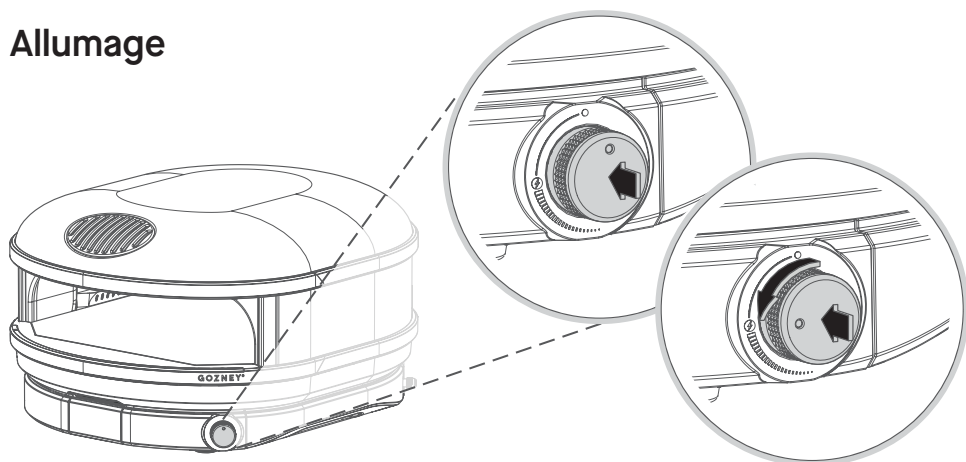
Vous devez vérifier qu'il n'y a aucune fuite de gaz chaque fois que vous débranchez et rebranchez un raccord de gaz. Ne jamais allumer les brûleurs lors d'un test de fuite.

Pour vérifier les fuites de gaz, appliquez un mélange d'eau savonneuse avec une brosse sur les zones mises en évidence et sur les fissures le long du flexible. Si une fuite est présente, la solution fait des bulles.

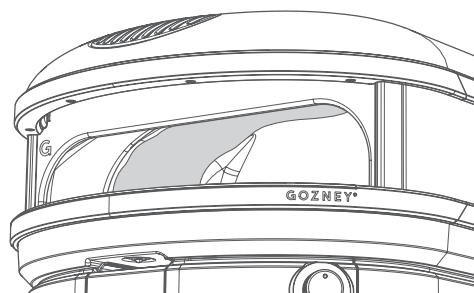
En cas de fuite au niveau du raccord entre le flexible et le four, resserrez le raccord avec une clé et vérifiez s'il y a des fuites en appliquant une solution de savon et d'eau sur les zones mises en évidence avec une brosse. Si la fuite persiste, coupez le gaz et **N'UTILISEZ PAS LE FOUR.**

En cas de fuite au niveau du raccord de la vanne, retirez la bouteille de GPL. N'utilisez pas le four. Utilisez une autre bouteille de GPL et revérifiez l'absence de fuite à l'aide d'une solution d'eau savonneuse.

Allumage



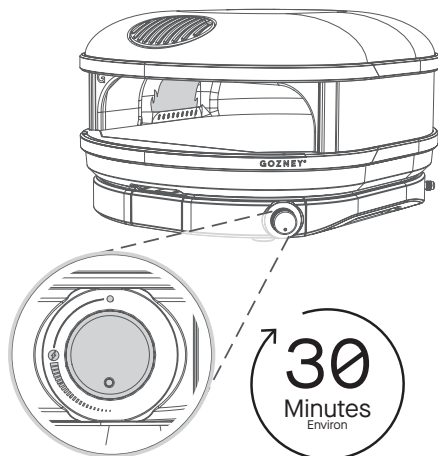
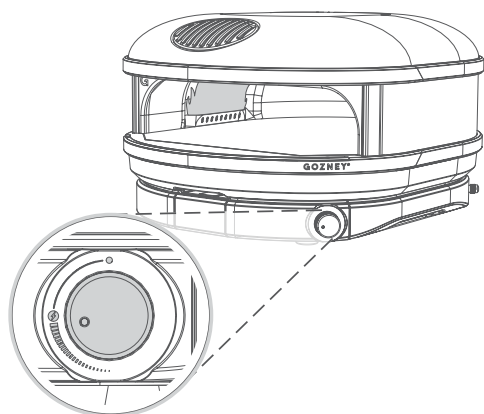
Retirez les cales de maintien de la pierre avant d'allumer le four. Pour allumer le brûleur à gaz, appuyez sur le bouton de commande et tournez le bouton de 90° jusqu'à ce que vous entendiez un clic et que le brûleur s'allume.



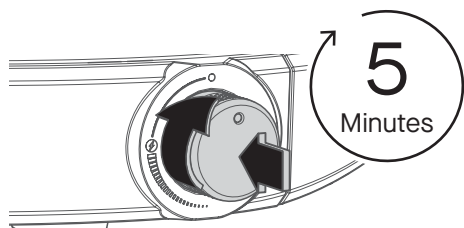
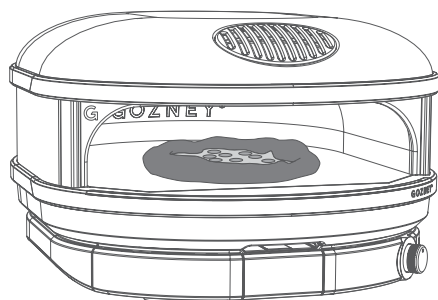
La flamme doit être de couleur jaune et rouler le long du haut du four.

Première mise en service

Lors de votre première mise en service, nous vous recommandons fortement de mettre le brûleur sur une flamme moyenne à basse pendant 30 minutes pour sécher le four avant de passer à une flamme élevée.



Lors des mises en service ultérieures après le séchage, vous pouvez amener le four à la température souhaitée dès l'allumage. Si le four est resté inactif pendant longtemps, vous devez le faire sécher à nouveau comme s'il s'agissait d'une première mise en service.



Si la flamme du brûleur s'éteint accidentellement, tournez la molette de gaz sur arrêt et attendez 5 minutes avant de recommencer les étapes d'allumage.

Dépannage du brûleur à gaz

| Problème observé | Raisons possibles | Solution |
|------------------------------|--|---|
| La flamme paraît trop petite | <ul style="list-style-type: none">• La bouteille de gaz est presque vide• La bouteille de gaz est trop petite• La température ambiante est inférieure à 0°C• Brûleur bloqué | <ul style="list-style-type: none">• Essayez de remplacer la bouteille de gaz si elle est vide.• La bouteille est peut-être trop petite. Nous recommandons d'utiliser une bouteille de 9 kg au minimum.• Si la température ambiante est inférieure à 0°C, il faut s'attendre à une perte de puissance de la bouteille de gaz.• Le brûleur peut être bloqué, reportez-vous aux instructions de nettoyage indiquées dans ce manuel. |
| Défaut d'allumage | <ul style="list-style-type: none">• La batterie d'allumage est vide• Brûleur bloqué• La bouteille de gaz est vide | <ul style="list-style-type: none">• En cas de première mise en service ou de remplacement d'une bouteille de gaz, le brûleur peut prendre jusqu'à 30 secondes pour que le gaz circule dans le circuit. Gardez le bouton de commande sur Marche jusqu'à ce que le témoin lumineux s'allume.• Si le bouton de commande ne fait pas un clic lorsqu'il est poussé, essayez de remplacer la pile à l'arrière de l'appareil. Lisez la section Maintenance du manuel pour obtenir de l'aide et des conseils à ce sujet. |
| Flamme bruyante | <ul style="list-style-type: none">• Allumage incorrect• Brûleur bloqué | <ul style="list-style-type: none">• Si le brûleur émet un bruit de rugissement fort, tournez d'abord le brûleur vers le bas pour obtenir une flamme faible, puis à nouveau vers le haut. Si le son continue, éteignez le brûleur pendant 5 minutes et réessayez de l'allumer. Si le problème persiste, lisez les instructions de nettoyage et d'entretien pour éliminer les débris dans le brûleur. |

Si le problème persiste après avoir essayé les solutions suivantes, veuillez contacter Gozney pour obtenir de l'aide.

Allumage avec une allumette

Si le brûleur ne s'allume pas après plusieurs tentatives à l'aide du bouton de commande, une allumette pourra être utilisée à la place.

Le four doit d'abord rester éteint pendant 5 minutes après avoir essayé d'allumer le brûleur pour s'assurer que tout le gaz s'est dissipé.

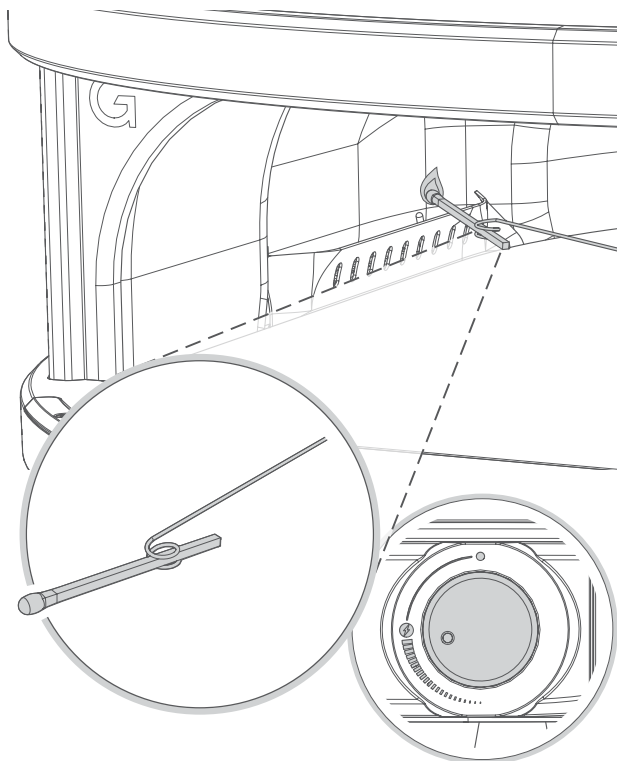
Une allumette peut ensuite être placée dans le support fourni et allumée avant de tenir le brûleur à l'intérieur de la bouche du four.

Enfoncer et tournez le bouton de commande de gaz vers le haut jusqu'à obtenir une flamme haute qui devrait permettre au brûleur de s'allumer.

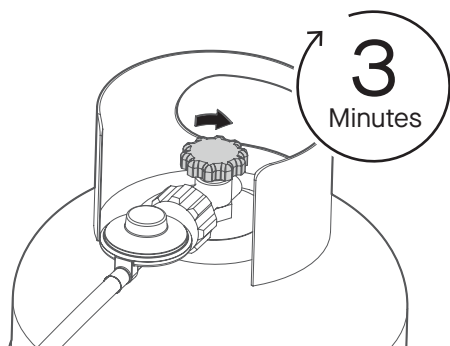
Si le brûleur ne s'allume pas après quelques secondes, tournez le bouton de gaz sur arrêt et attendez 5 minutes avant de recommencer.



Gardez les mains loin du brûleur à gaz lorsque vous essayez de l'allumer avec une allumette, utilisez toujours le support fourni.

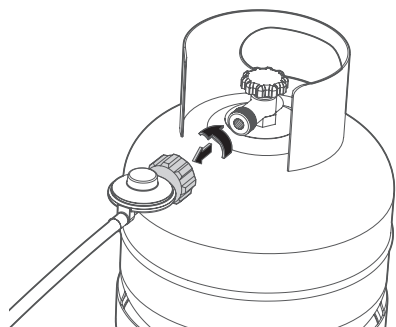


Débranchement du gaz



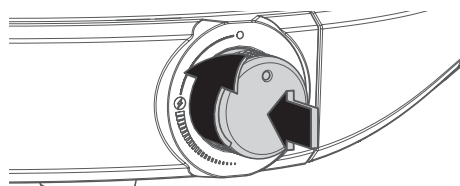
RÉGULATEUR (DANS LE SENS DES AIGUILLES D'UNE MONTRE)

Après la cuisson, lorsque le four n'est pas utilisé, assurez-vous de couper l'alimentation en gaz de la bouteille avant d'éteindre l'Arc. Cela permettra à tout gaz restant dans le brûleur ou le flexible d'être utilisé en toute sécurité. Trois minutes après avoir coupé le gaz, le régulateur peut être retiré en toute sécurité et la molette de commande tournée sur arrêt.



Il est possible de ranger un appareil à l'intérieur uniquement si la bouteille est débranchée et retirée.

Les bouteilles doivent être entreposées à l'extérieur hors de la portée des enfants et ne doivent pas être entreposées dans un bâtiment, un garage ou toute autre zone fermée.



Lorsque la bouteille de gaz n'est pas utilisée, placez le bouchon anti-poussière sur la sortie de la vanne. Installez uniquement sur la sortie de la vanne de la bouteille le type de bouchon anti-poussière qui est fourni avec la vanne de la bouteille. D'autres types de capuchons ou de bouchons peuvent entraîner une fuite de propane.

Votre guide d'entretien général.

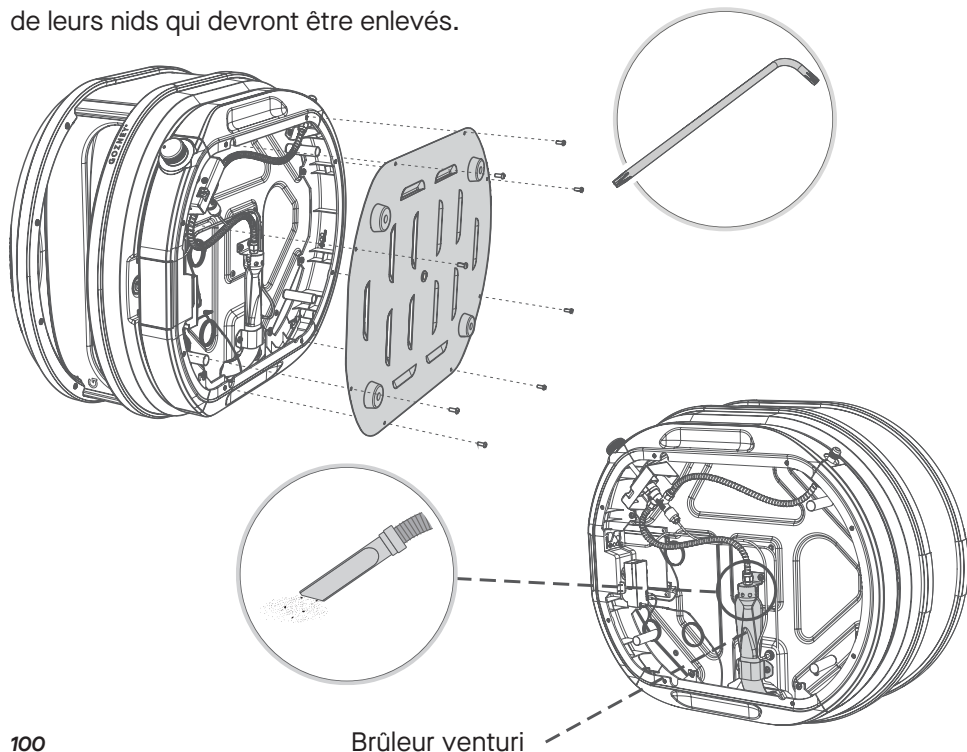
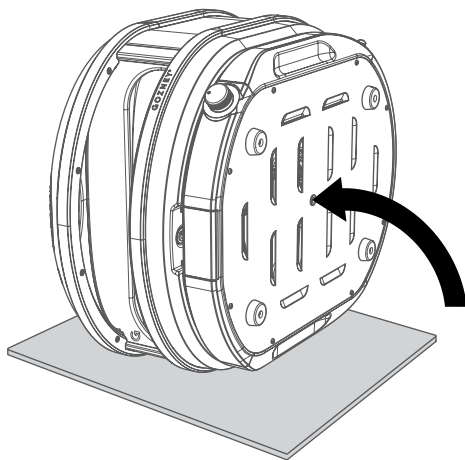
4

Entretien général

Entretien

NETTOYAGE DU BRÛLEUR VENTURI

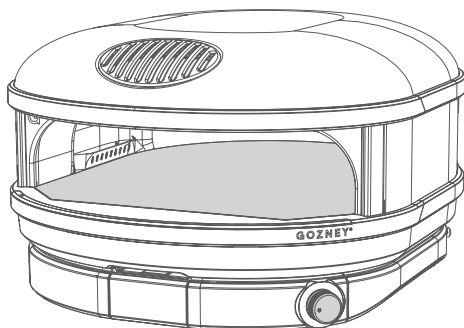
Si la flamme de votre brûleur est trop jaune ou fait plus de bruit que d'habitude, vous pouvez avoir des débris bloquant le brûleur venturi. Lorsque le four est éteint, débranchez-le du gaz et laissez-le refroidir. Assurez-vous que l'Arc est posé sur une surface lisse qui ne provoquera pas de rayures avant de le basculer doucement sur le côté. Utilisez le tournevis Torx fourni pour desserrer les 8 vis et retirer le panneau inférieur. Utilisez un aspirateur avec un long suceur en plastique pour enlever les débris. Vérifiez régulièrement l'intérieur du châssis et le pourtour du brûleur venturi à la recherche de débris ou d'insectes et de leurs nids qui devront être enlevés.



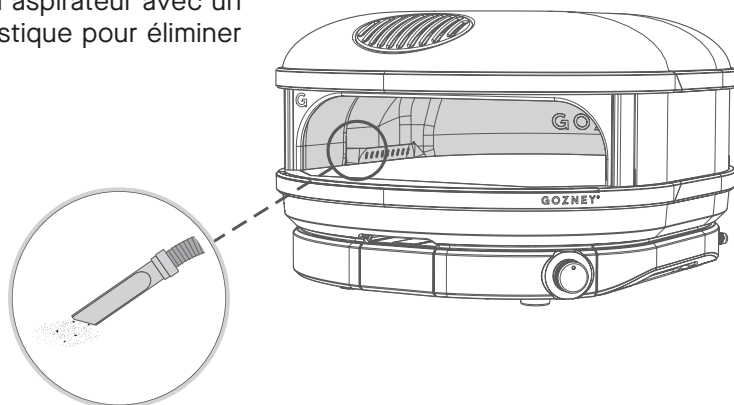
Nettoyage du four

INTERNE

La meilleure façon de nettoyer l'intérieur de l'Arc est de brûler les débris alimentaires ou la suie résiduelle. Lorsque le four est à plus de 650°F (345°C), il commence à s'autonettoyer et tout aliment brûlé se consumera après trois heures.



S'il reste de la suie ou des débris, attendez que le four refroidisse et utilisez une brosse souple pour les déloger, en prenant soin de ne pas trop appuyer et de ne pas endommager le four. Utilisez un aspirateur avec un accessoire en plastique pour éliminer les débris du four.



EXTERNE

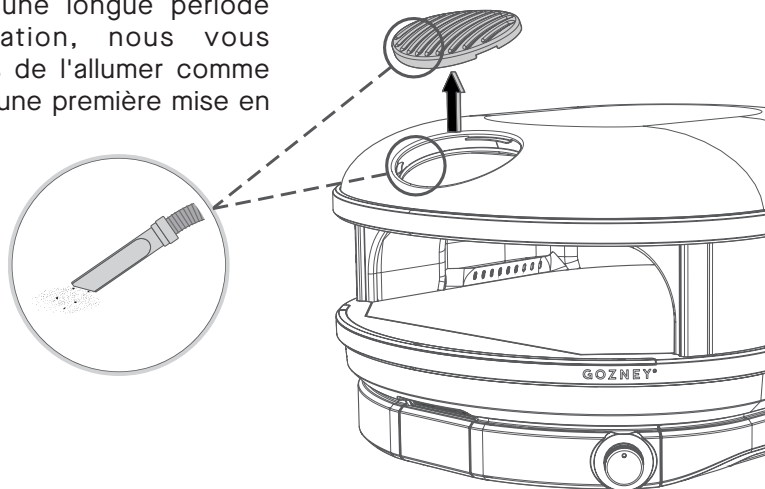
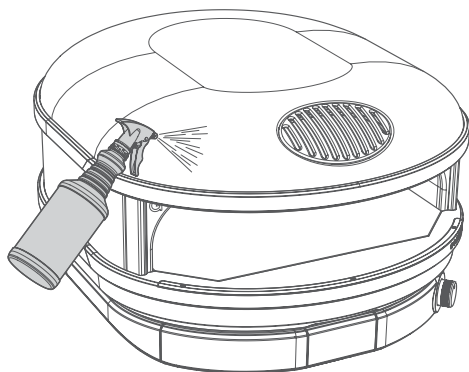
Pour l'extérieur de l'Arc, assurez-vous que le four est froid et utilisez un spray nettoyant sans eau de Javel non caustique sur les zones sales. Nettoyez la zone avec de l'eau savonneuse tiède et une éponge ou un torchon non abrasif, puis essuyez-la avec du papier absorbant. Le conduit de l'Arc peut également être retiré pour le nettoyage.

Évitez de pulvériser directement sur le thermomètre ou la molette de commande.

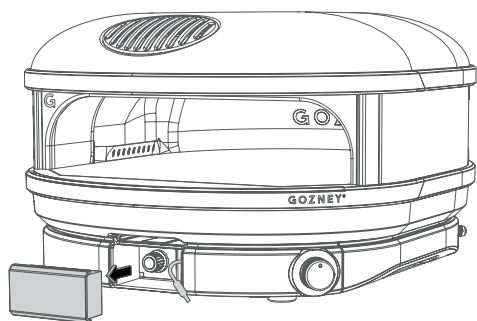
N'utilisez pas de produits de nettoyage abrasifs.

Lorsque la porte n'est pas utilisée, elle doit être protégée de la pluie à l'aide de la housse. Si vous placez une housse directement sur l'Arc, assurez-vous qu'il est complètement froid avant de le couvrir.

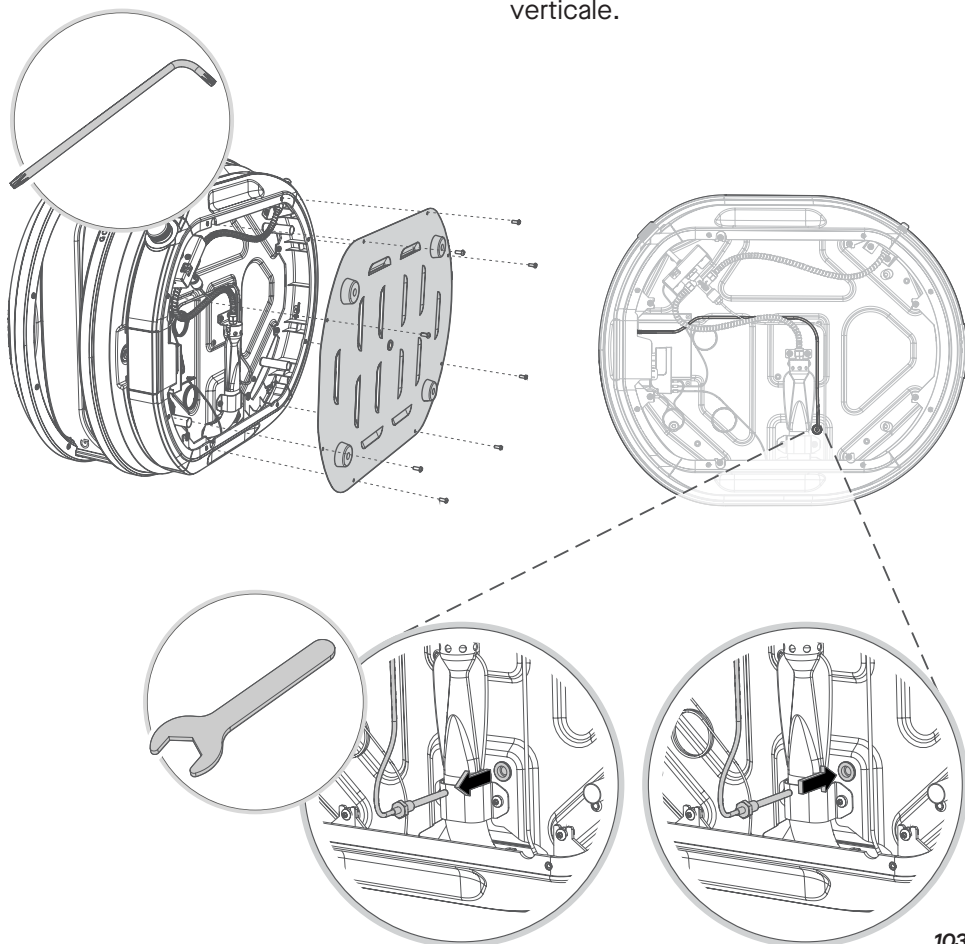
Lorsque vous utilisez à nouveau le four après une longue période de non-utilisation, nous vous recommandons de l'allumer comme s'il s'agissait d'une première mise en service.



Remplacement de la sonde



Lorsque le four est froid, retirez le thermomètre et débranchez le câble. Basculer doucement le four sur le côté et utiliser le tournevis Torx pour retirer le panneau inférieur du four. Utilisez la clé pour dévisser l'ancienne sonde de l'intérieur du four et la remplacer par la nouvelle. Faites passer le câble à l'avant du four et rebranchez-le dans le thermomètre. Remplacez le panneau inférieur et remettez le four en position verticale.



GOZNEY°