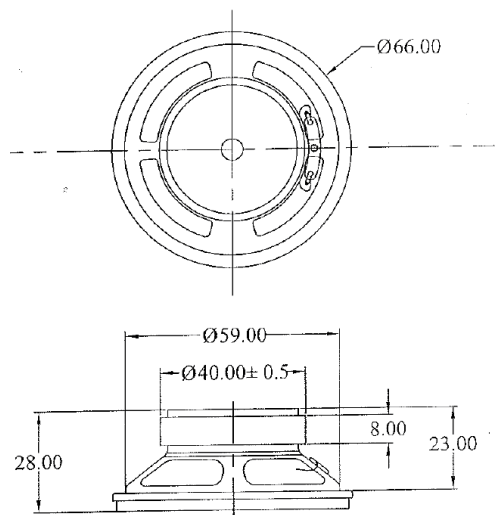


2,5" CEILING LOUDSPEAKERS + IR RECEIVER

REF. 16708- 16709



8 ohms Loudspeakers technical specifications:

16708	MIN	NORMAL	MAX		COMMENTS
Speaker type		2,5		inches	Full range
Measurements		95x36		mm	
Power		3	5	W	
SPL		86		dB	
Frequency response	170		12000	Hz	
Impedance		8		Ohms	
Cut-out diameter		76		mm	

16 ohms Loudspeakers technical specifications:

16809	MIN	NORMAL	MAX		COMMENTS
Speaker type		2		inches	Full range
Measurements		80x25		mm	
Power		1.5	2	W	
SPL		82		dB	
Frequency response	330		15.000	Hz	
Impedance		8		Ohms	
Cut-out diameter		65		mm	