

## Q Acoustics Warranty

Q Acoustics loudspeakers are warranted free of defects in materials and workmanship for a period of 5 years from the date of purchase. During the warranty period Q Acoustics will, at its discretion, repair or replace any product found to be faulty after inspection by the company or its appointed distributor or agent.

Misuse and fair wear and tear are not covered by the warranty.

Goods for repair should, in the first instance, be returned to the supplying dealer. If this is not possible the item/s should be sent carriage paid, preferably in the original packaging, to Q Acoustics or their appointed regional distributor accompanied by proof of purchase. Damage sustained by goods in transit to the repair centre is not covered by the warranty. Return carriage will be paid by Q Acoustics or their distributor as appropriate.

The warranty does not in any way affect your legal rights.

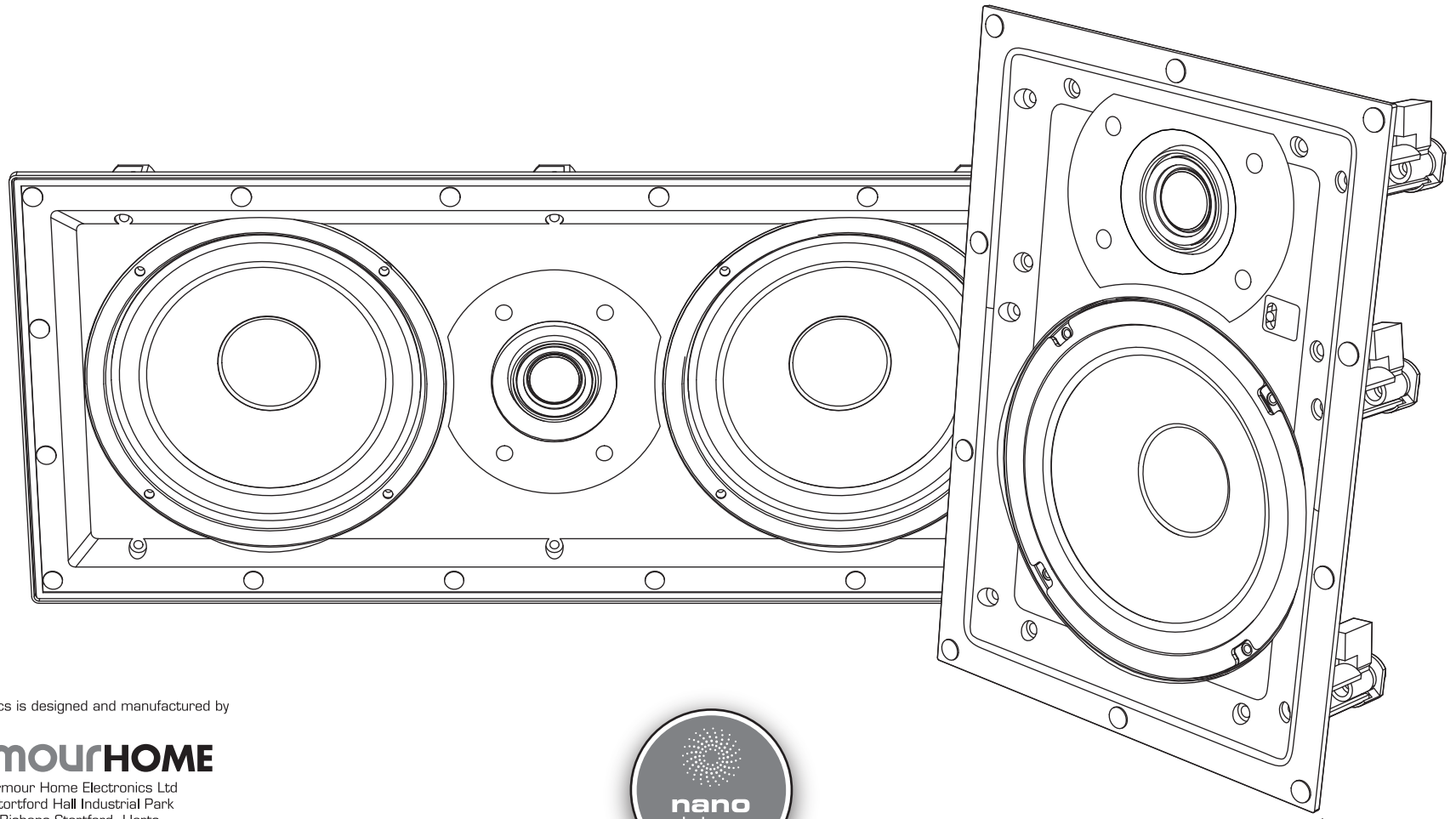


# INSTALL

## IN-WALL LOUDSPEAKERS

Quick start installation instructions for Q install models:

Qi 65RP, Qi 80RP, Qi LCR 65RP, Qi SUB 80SP



Q Acoustics is designed and manufactured by

**armourHOME**

Armour Home Electronics Ltd  
Stortford Hall Industrial Park  
Bishops Stortford, Herts,  
CM23 5GZ  
UNITED KINGDOM

[www.Qacoustics.co.uk](http://www.Qacoustics.co.uk)



Q148694S\_r0

**Thank you for purchasing Q Acoustics loudspeakers.**  
**Please take a few minutes to familiarise yourself with the installation procedure.**  
**The speakers are designed for installation into stud wall cavities.**

**Warning Notices**

- Before cutting the mounting hole ensure that there is no conflict with other in-wall installed items such as pipe work, electrical cabling, gas pipes and supporting joists etc.
- It is important to ensure that the installation complies with all relevant building regulations (including the use of fire hoods and or acoustic isolation).
- Take care not to apply pressure to the speaker cones and tweeter dome during installation.
- Ensure that the speaker model is suitable for use in the intended application. These speakers should not be used where there are high levels of moisture.
- Ensure speaker cables are of good quality and of an appropriate gauge for the length of run.

**INSTALLING THE SPEAKERS**

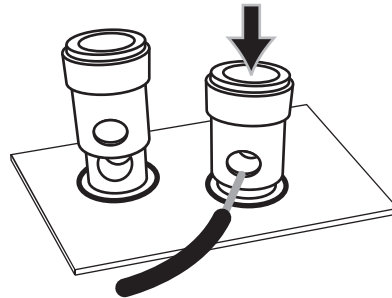
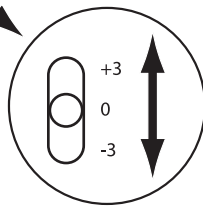
**Step 1**

Select a suitable mounting location for the speaker taking note of the warning notices above. Using the installation template supplied, mark the speaker position and cut the mounting hole.



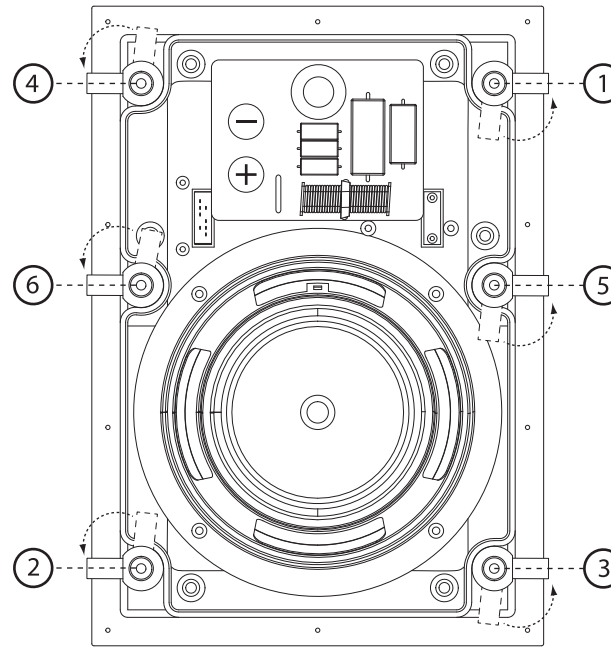
**Step 2**

Make sure all equipment is switched off. The speaker cable should be stripped back ~10mm so that there are bare wire ends. Remove the packaging from the speaker and attach the speaker leads using the pushdown spring clip terminals at the rear of the speaker. The positive conductor should be connected to the red terminal and the negative conductor to the black terminal.



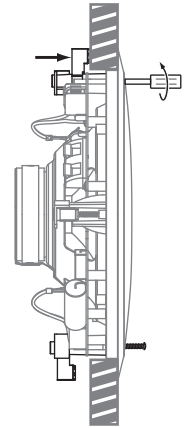
On some Q Install models the tweeter output level can be increased or decreased using the 3 position switch located on the front or rear of the product. It is recommended to leave the switch in the '0' position for the initial sound check.

**Note: Tweeter output level adjustment is at the rear of Qi LCR 65RP**



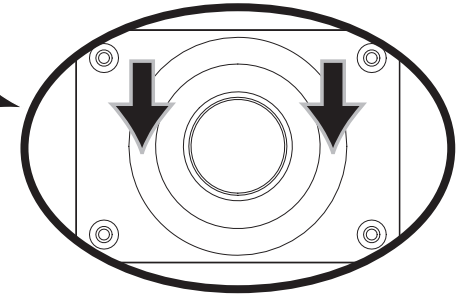
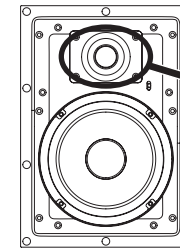
**Step 3**

Check that each of the swing out clamps is rotated inwards. Push the speaker through the mounting hole and position flush with the wall. Whilst holding the speaker in place tighten each of the mounting screws using a No. 2 Pozidriv® screw driver in the order shown in the diagram (left). When an increase in resistance is felt the clamp is in position.



**Step 4**

Once the speakers are installed they should be tested before the grilles are fitted. All multi-driver models feature a swivel tweeter that may be adjusted allowing the high frequencies to be directed towards or away from the normal listening position as required. The tweeter's outer frame (not dome) should be pushed gently to achieve the desired tweeter position.



**Step 5**

The speakers feature a magnetic grille. Locate the grille over the speaker bezel where it will be pulled into place.

**Grille backing cloth**

All models feature a white backing cloth behind the grille to help minimize visual contrast with the wall. For the very best sound performance, or after painting, it is recommended that this cloth is removed before use. To remove simply peel away the backing cloth from the grille.

**Step 6**

Sound check the speakers using a suitable AV test sequence to ensure that the relative level of all the connected speakers is correct.

The subwoofer should be driven by its own amplifier channel with the crossover set between 80 and 120Hz. It may be necessary to change the phase of the subwoofer depending on the amplifier and the distance from the subwoofer to the listener.