

Q Acoustics Warranty

Q Acoustics loudspeakers are warranted free of defects in materials and workmanship for a period of 5 years from the date of purchase. During the warranty period Q Acoustics will, at its option, repair or replace any product found to be faulty after inspection by the company or its appointed distributor or agent.

Misuse and fair wear and tear are not covered by the warranty.

Goods for repair should, in the first instance, be returned to the supplying dealer. If this is not possible the item/s should be sent carriage paid, preferably in the original packaging, to Q Acoustics or their appointed regional distributor accompanied by proof of purchase. Damage sustained by goods in transit to the repair centre is not covered by the warranty. Return carriage will be paid by Q Acoustics or their distributor as appropriate.

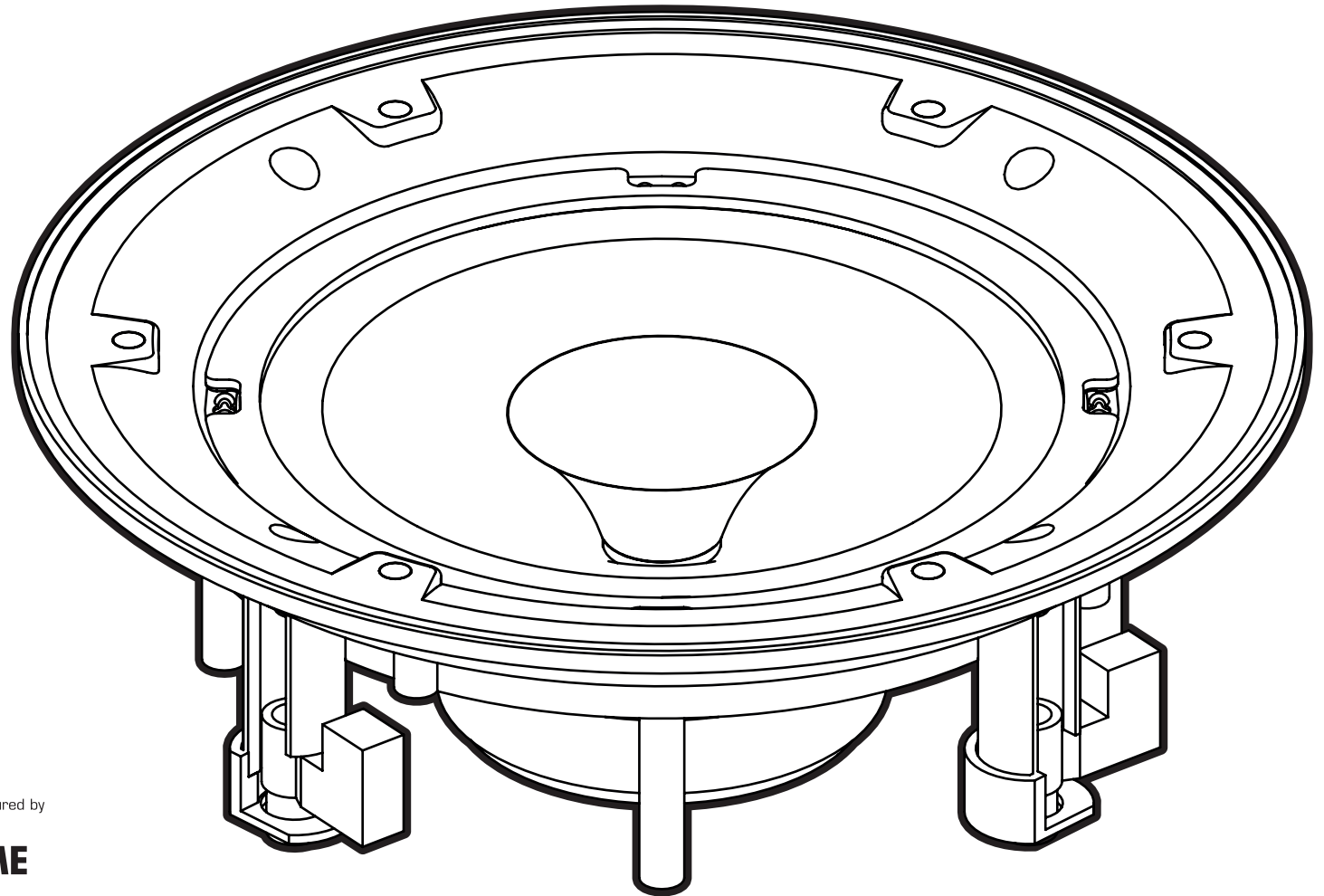
The warranty does not in any way affect your legal rights.



INSTALL

IN-CEILING BACKGROUND LOUDSPEAKERS

Quick start installation instructions for Qi 65CB



Q Acoustics is designed and manufactured by

armourHOME

Armour Home Electronics Ltd
Stortford Hall Industrial Park
Bishops Stortford, Herts,
CM23 5GZ
UNITED KINGDOM

www.Qacoustics.co.uk

Q147604S_r2

Thank you for purchasing Q Acoustics loudspeakers.
Please take a few minutes to familiarise yourself with the installation procedure.
The speakers are designed for installation into plasterboard ceilings or stud wall cavities.

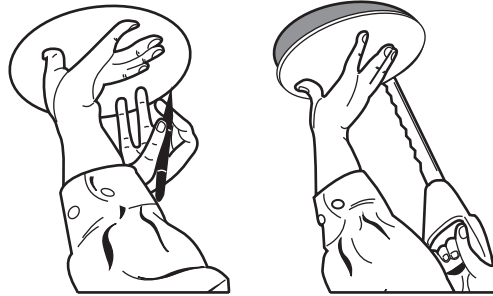
Warning Notices

- Before cutting the mounting hole ensure that there is no conflict with other in-ceiling or in-wall installed items such as pipe work, electrical cabling, gas pipes and supporting joists etc.
- It is important to ensure that the installation complies with all relevant building regulations.
- Take care not to apply pressure to the speaker cone and tweeter dome during installation.
- Ensure that the speaker model is suitable for use in the intended application. The QI 65CB should not be used where there are high levels of moisture.

INSTALLING THE SPEAKERS

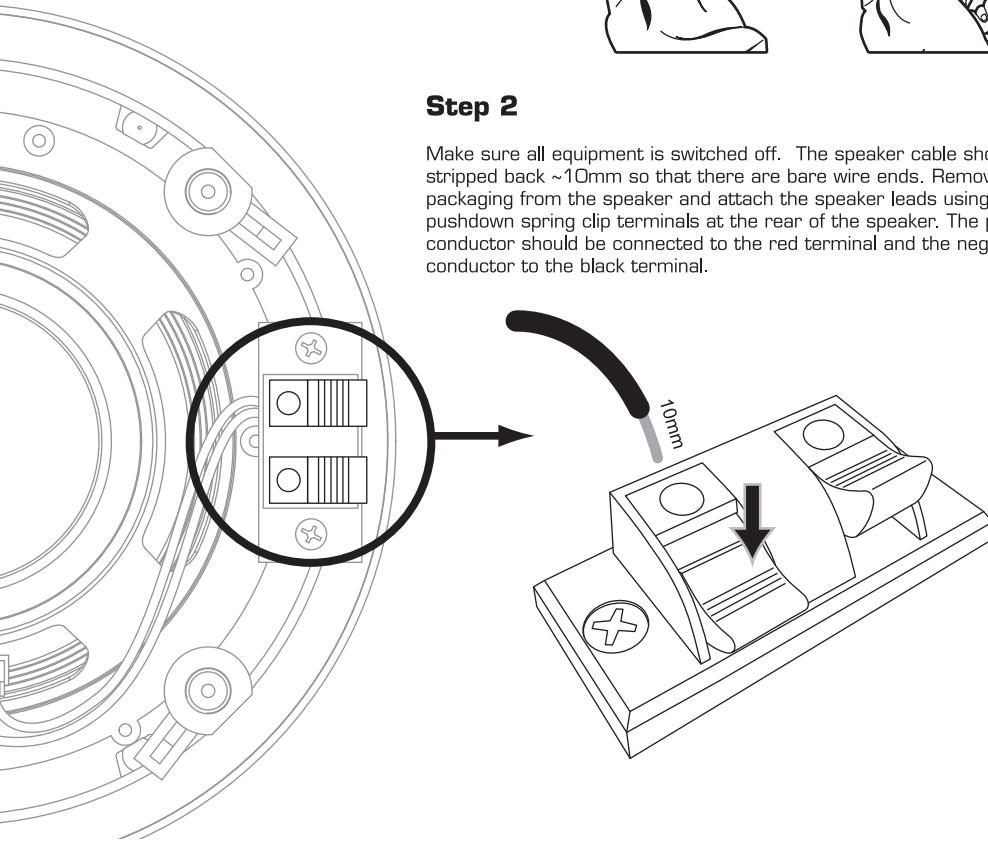
Step 1

Select a suitable mounting location for the speaker taking note of the Warning Notices above. Using the installation template supplied mark the speaker position and cut the mounting hole.



Step 2

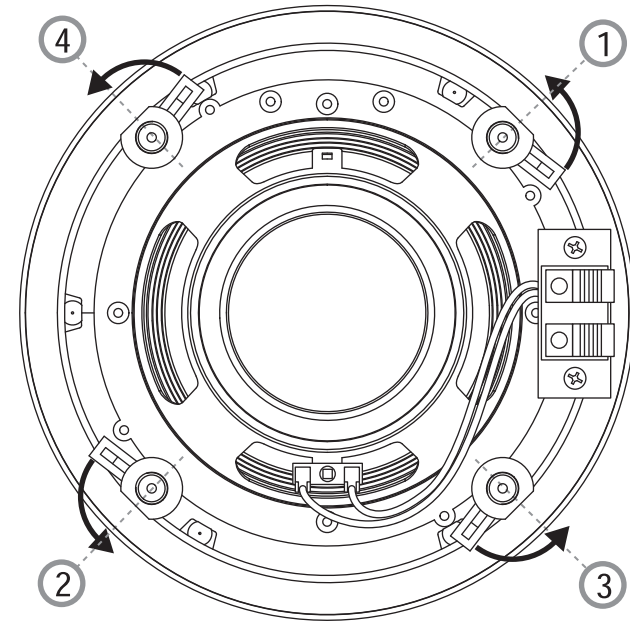
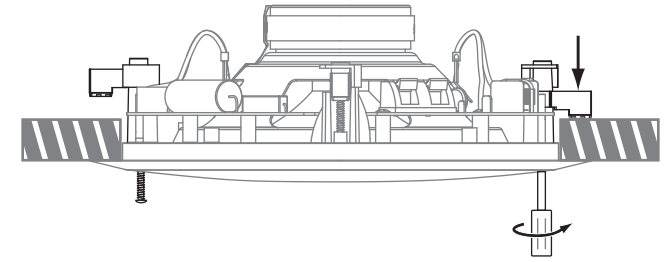
Make sure all equipment is switched off. The speaker cable should be stripped back ~10mm so that there are bare wire ends. Remove the packaging from the speaker and attach the speaker leads using the pushdown spring clip terminals at the rear of the speaker. The positive conductor should be connected to the red terminal and the negative conductor to the black terminal.



Step 3

Check that each of the 4 swing out clamps are rotated inwards. Push the speaker through the mounting hole and position flush with the ceiling.

Whilst holding the speaker in place tighten each of the mounting screws using a No. 2 Pozidriv® screw driver in the order shown in the diagram (below). When an increase in resistance is felt the clamp is in position.



Step 4

Once the speakers are installed they should be tested before the grilles are fitted.

Step 5

Locate the grille over the speaker bezel where it will be pulled into place.

Grille backing cloth

A white backing cloth behind the grille helps minimize visual contrast with the ceiling. For the very best sound performance it is recommended that this cloth is removed before use or after painting. To remove simply peel away the backing cloth from the grille.