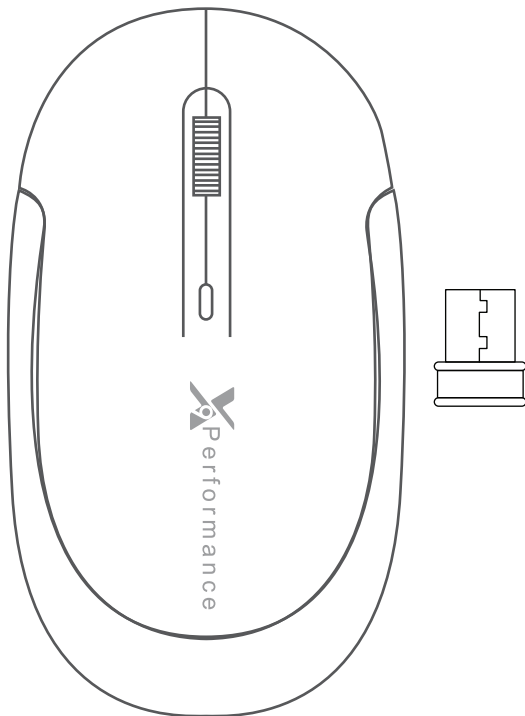


X9RFDYNAMOUSE

# WIRELESS OPTICAL RF MOUSE

User guide



## USER GUIDE

The X9 Performance X9RFDYNAMOUSE is a 2.4GHz wireless RF optical mouse with a 800/1200/1600 DPI switch button, right and left click buttons and scroll wheel/button for precise and smooth control. The compact design makes it ideal for "on-the-go" workflow and the ambidextrous design offers maximum comfort to both left-handed and right-handed users and helps to increase productivity. No software is required.

### About this guide

Before you start using the X9RFDYNAMOUSE, be sure to read this guide in its entirety.

### Safety instructions

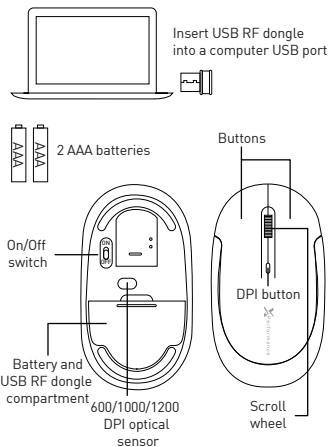
Please read the following carefully before using this X9 Performance product. Incorrect use of this product may result in reduced performance, permanent damage and void warranty:

1. Do not place this product near a heat source.
2. Operating temperature of -5°C to 40°C. Storage temperature of -5°C to 40°C.
3. Do not place this product near moisture nor liquids.
4. Operate and store at humidity of 20% to 90% (non-condensing)
5. Do not place heavy objects on this product.
6. Do not drop this product.
7. Do not dispose this product in the garbage. Take it to your local recycling centre.

### Package contents

- X9RFDYNAMOUSE
- USB receiver RF dongle
- 2 "AAA" batteries
- User guide

## Hardware basics



### Installation instructions

The X9RFDYNAMOUSE is automatically recognized by the computer and does not require a driver. Simply follow the steps below and you are ready to go!

1. Install 2 "AAA" batteries (included) in the battery compartment.
2. Remove the USB receiver RF dongle from its compartment.
3. Plug the USB RF receiver dongle into the USB port of your computer.
4. Switch to turn on the mouse power, you are ready to use the X9RFDYNAMOUSE mouse.

However, if you wish to configure the mouse settings to your personal preferences you can do this in the settings of the operating system:

## Mac OS

To configure the tracking speed, scrolling speed, double click speed and primary mouse button, go to Mouse in System Preferences. To configure the mouse button functions, go to Mission Control in System Preferences.

## Windows

To configure the mouse buttons, pointer, pointer options and wheel, go to Mouse in Hardware/Control Panel.

## Technical support

---

In USA, please call to +1 909 230 6888, Monday through Friday, 9AM to 5PM(Pacific time). or email to [techsupport@x9performance.com](mailto:techsupport@x9performance.com).

### **Warranty**

*X9 Performance warrants that this product will be free from defects in title, materials and manufacturing workmanship for one year from the date of the purchase. If the product is found to be defective then, as your sole remedy and as the manufacturer's only obligation, X9 Performance will repair or replace the product. This warranty is exclusive and is limited to the X9RFDYNAMOUSE. This warranty shall not apply to products that have been subjected to abuse, misuse, abnormal electrical or environmental conditions, or any condition other than what can be considered normal use. The liability of X9 Performance arising from this warranty and sale shall be limited to a refund of the purchase price. In no event shall X9 Performance be liable for costs of procurement of substitute products or services, or for any lost profits, or for any consequential, incidental, direct or indirect damages, however caused and on any theory of liability, arising from this warranty and sale. These limitations shall apply notwithstanding any failure of essential purpose of any limited remedy.*