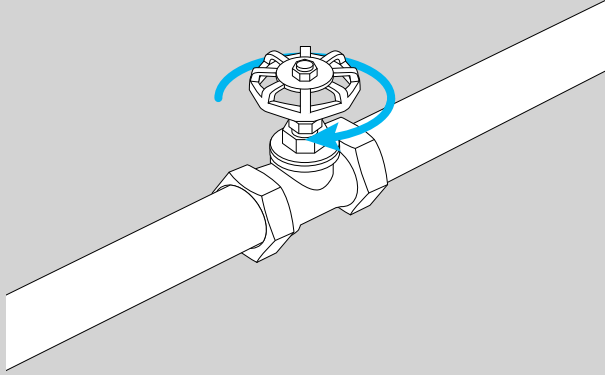
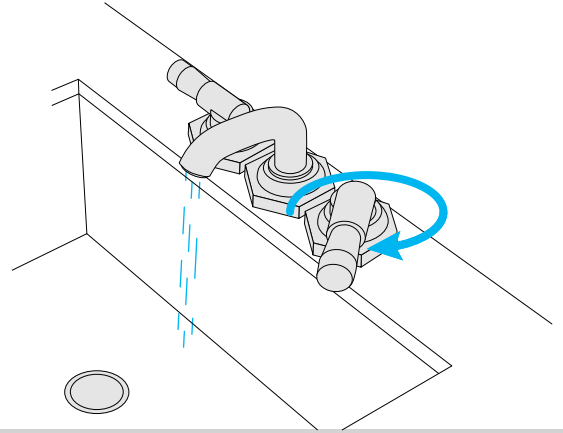


WATER SOFTENER Quick Replacement Guide*

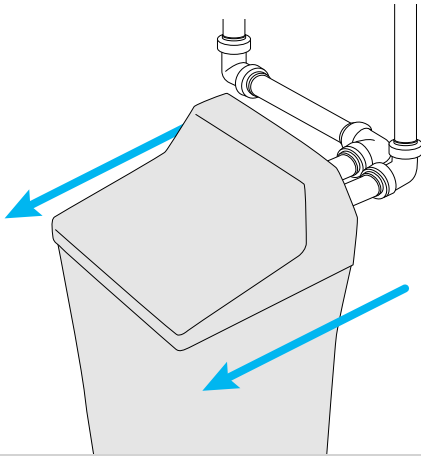
- 1** Close the main water supply valve to your home.



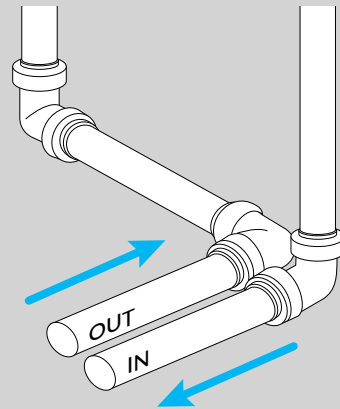
- 2** Turn on the cold water faucet and let it drain until it stops to release pressure.



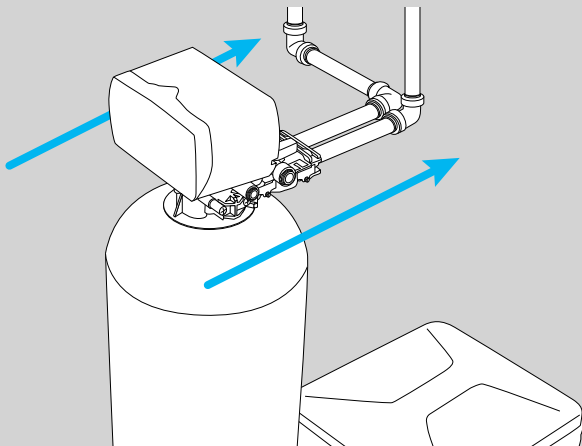
- 3** Remove the old water softener from the existing plumbing.



- 4** Make sure the inlet from the main water line is clearly marked on the existing plumbing.



- 5** Follow the included owner's manual and connect the Aquasure water softener to the existing plumbing.



- 6** Enjoy clean, soft water from every outlet in the comfort of your own home.



*Contact our support for any guidance in regards to installation of the water softener.

1-800-661-0680
Mon to Fri - 9 am to 5 pm PST



Other ways to reach us:
Email: Support@AquasureUSA.com
Online: aquasureusa.com/support