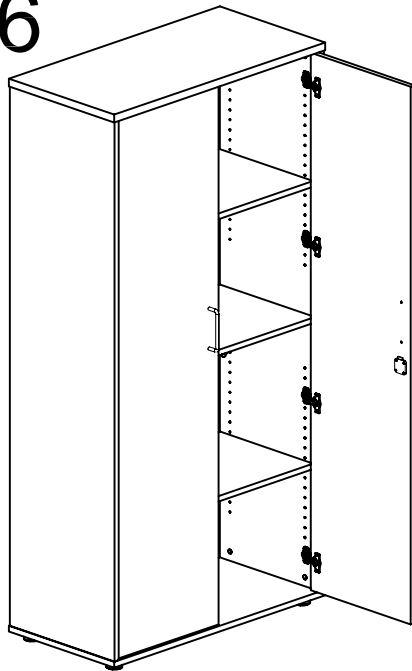


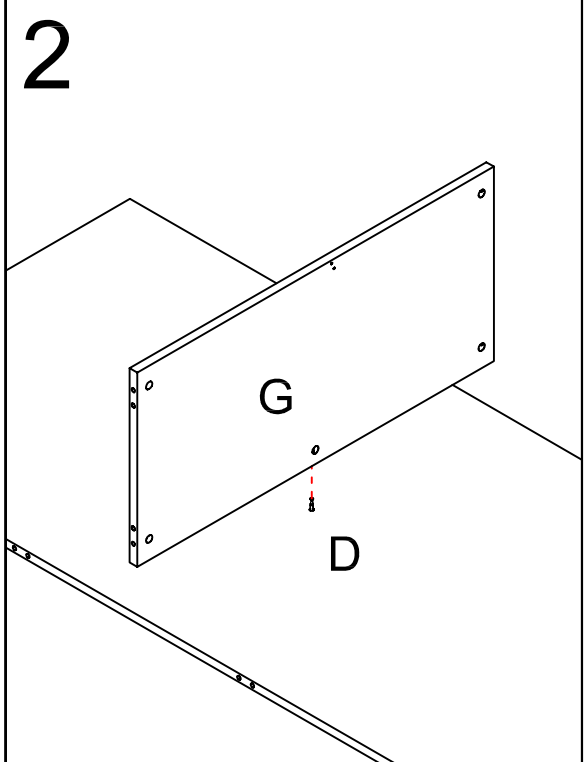
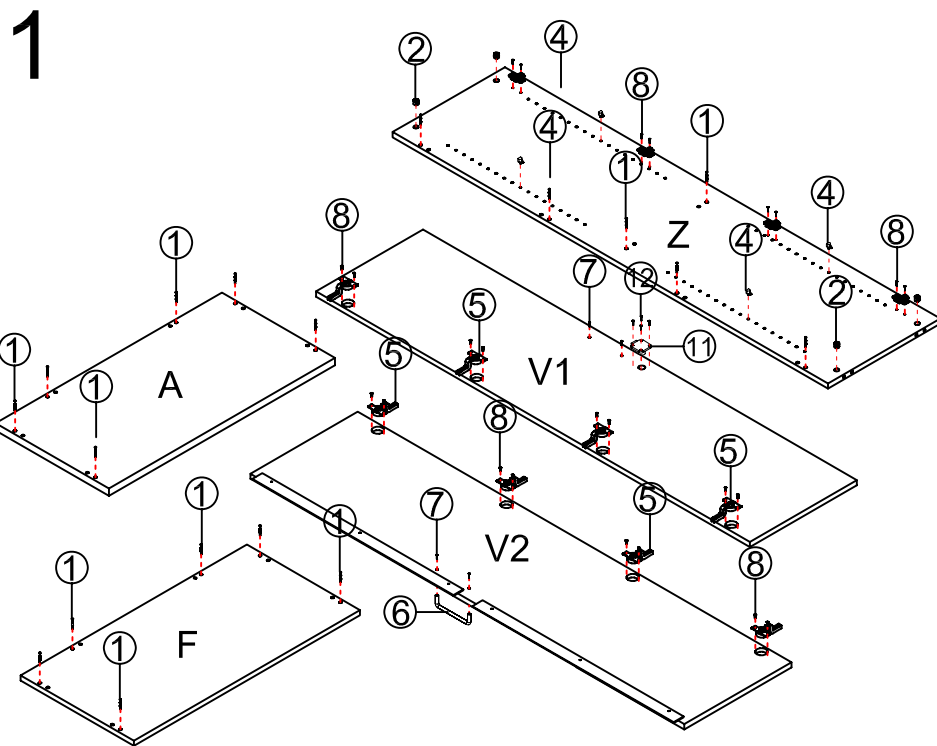
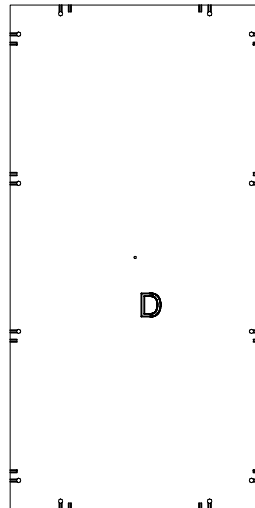
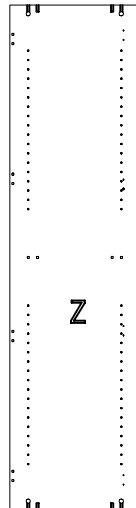
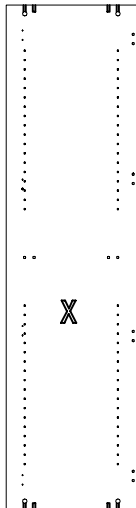
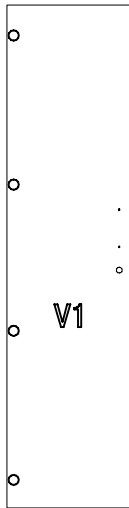
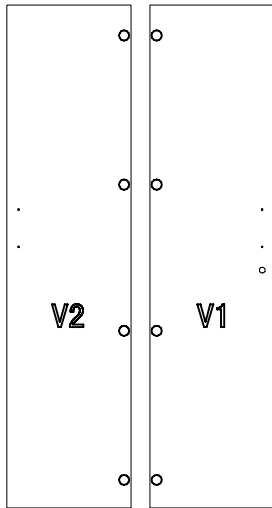
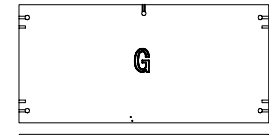
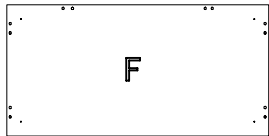
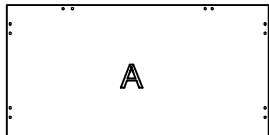
ASSEMBLY INSTRUCTIONS

SP2FD-16

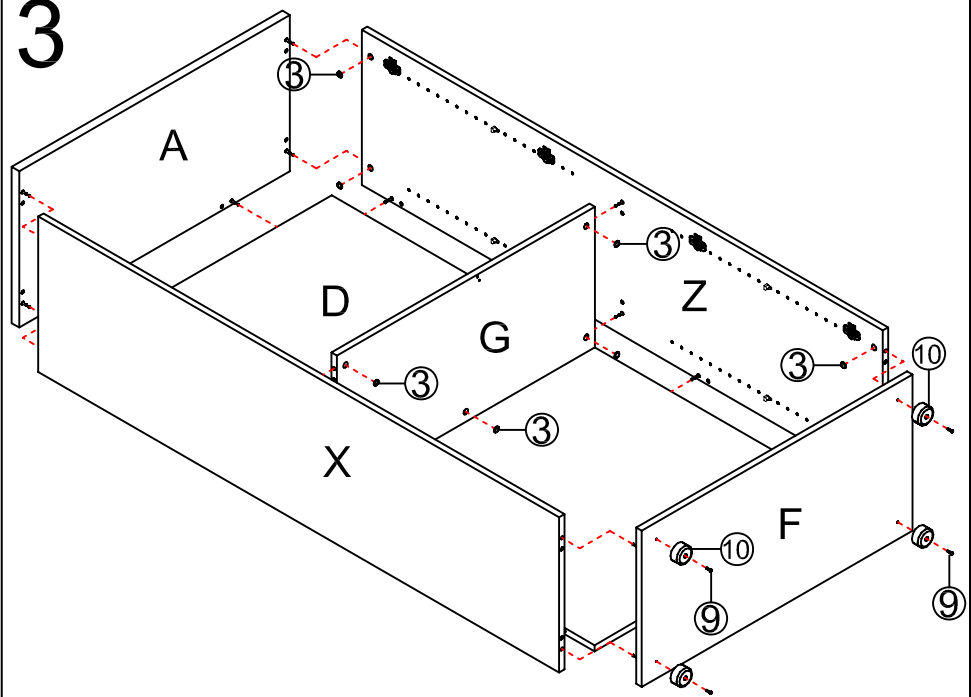
rapidline
FURNITURE FOR TODAY
2011-8-25



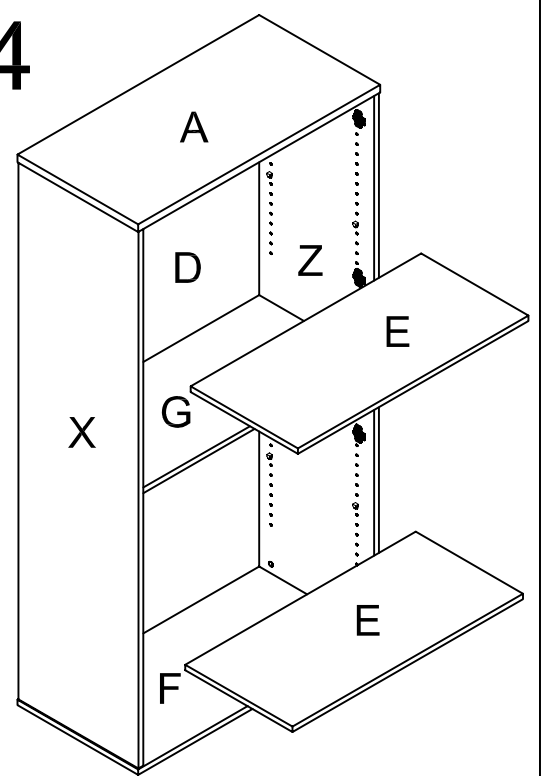
pin 6×35 1 25PCS	CAM 2 25PCS
Cam Cover 3 25PCS	Bolt Minifix 4 8PCS
Hinge&Mount Plate 5 8PCS	T-Handle 6 2PCS
Screw 4×22 7 4PCS	Screw 4×16 8 32PCS
Screw 4×30 9 4PCS	CUSHIOA 26H×652 10 4PCS
LOCK 11 1PCS	Screw 4×20 12 4PCS
Screw 3.5×13 13 2PCS	



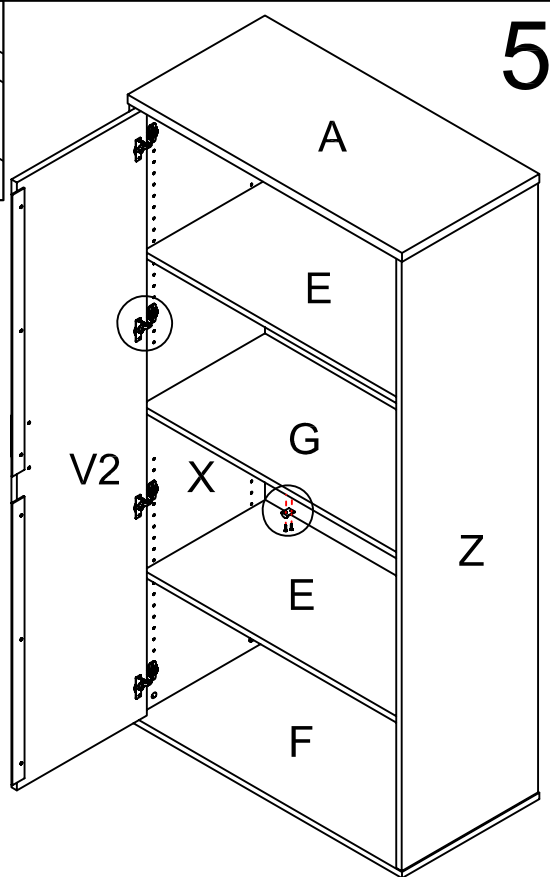
3



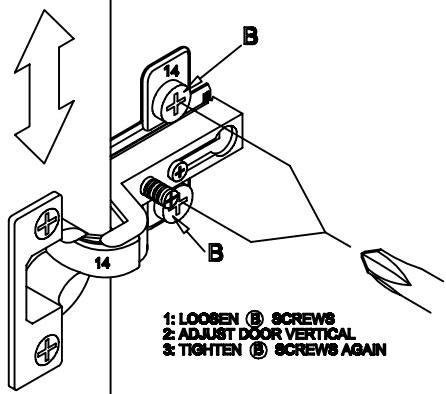
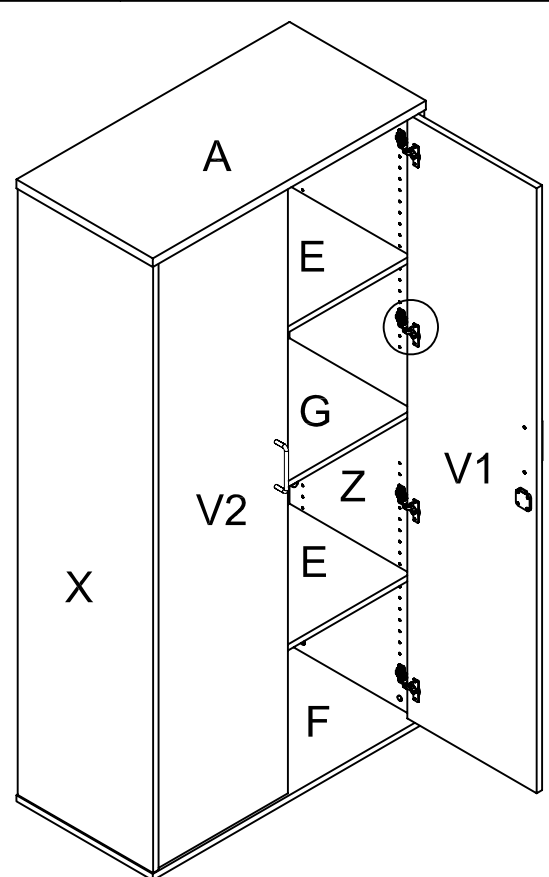
4



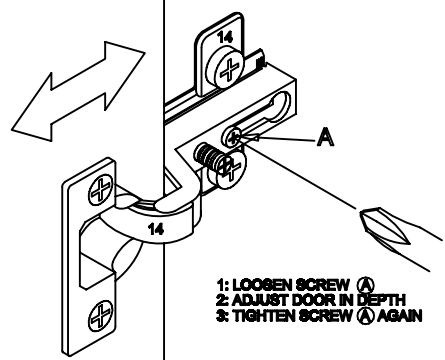
5



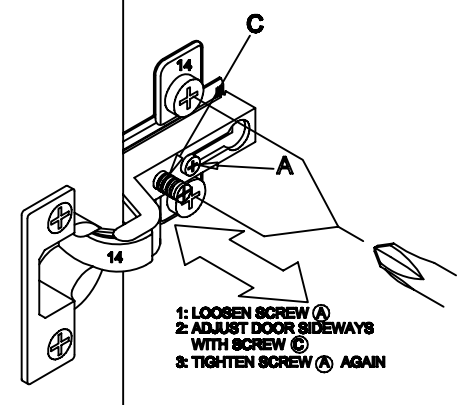
6



1: LOOSEN SCREW B
 2: ADJUST DOOR VERTICAL
 3: TIGHTEN SCREW B AGAIN



1: LOOSEN SCREW A
 2: ADJUST DOOR IN DEPTH
 3: TIGHTEN SCREW A AGAIN



1: LOOSEN SCREW A
 2: ADJUST DOOR SIDWAYS WITH SCREW C
 3: TIGHTEN SCREW A AGAIN