

# R4 MULTI SHIFT SEATING

## IMPACT



### FEATURES

- » Adjustable seat height
- » Adjustable seat and back angle
- » Adjustable seat depth (seat slider)
- » Adjustable weight tension
- » Adjustable lumbar support
- » Optional headrest
- » Adjustable arms
- » Moulded seat and back foam
- » Saddle seat
- » Double steel strengthened for both seat and back
- » Synchron mechanism with 3 locking positions
- » 720mm aluminium base
- » Brake castors
- » AFRDI tested to level 6
- » Multi shift use 200kg
- » Available in black only
- » Minor assembly required
- » Suitable for indoor use only
- » 7 year warranty
- » Weight limit is 200kg

**INDOOR USE ONLY**

**X** Do not use as a step ladder

**INNER BACK LEVER**  
To adjust seat angle  
(Forwards)

**INNER RIGHT LEVER**  
To adjust seat height

**BACK KNOB**  
To adjust lumbar

**RIGHT KNOB**  
To adjust weight tension

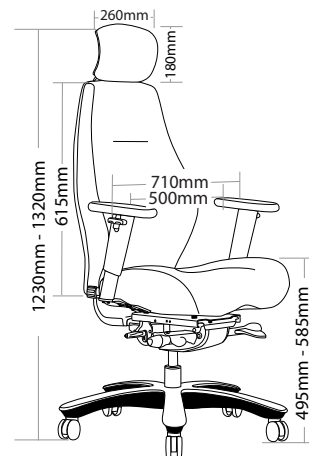
**720MM ALUMINIUM  
5 STAR BASE WITH BRAKE CASTORS**  
Use soft tyred castors for tiles  
Use hard tyred castors for carpet

**ADJUSTABLE HEADREST**

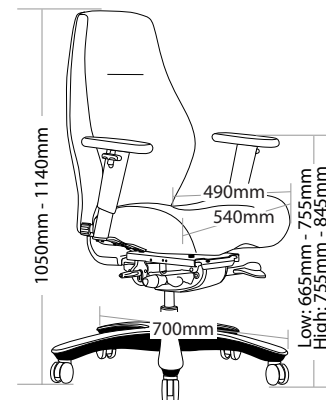
**ADJUSTABLE ARMS**

**LEFT KNOB**  
To adjust seat and  
back angle

**INNER LEFT LEVER**  
To adjust seat depth  
(seat slider)



IMPACT-H



IMPACT-L

# IMPACT MULTI SHIFT SEATING



IMPACT-H

ADJUSTABLE LUMBAR



IMPACT-L



BACK VIEW

*\* Please note that the Headrest should not be used to manoeuvre the chair.*