

OLG



Urban Mesh Chair

Assembly Instructions

Urban Mesh Chair

Components List



Back Frame

A



Left Arm

B



Right Arm

C



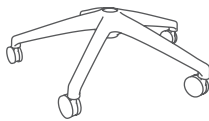
Seat Pan

D



Gas Cylinder

E



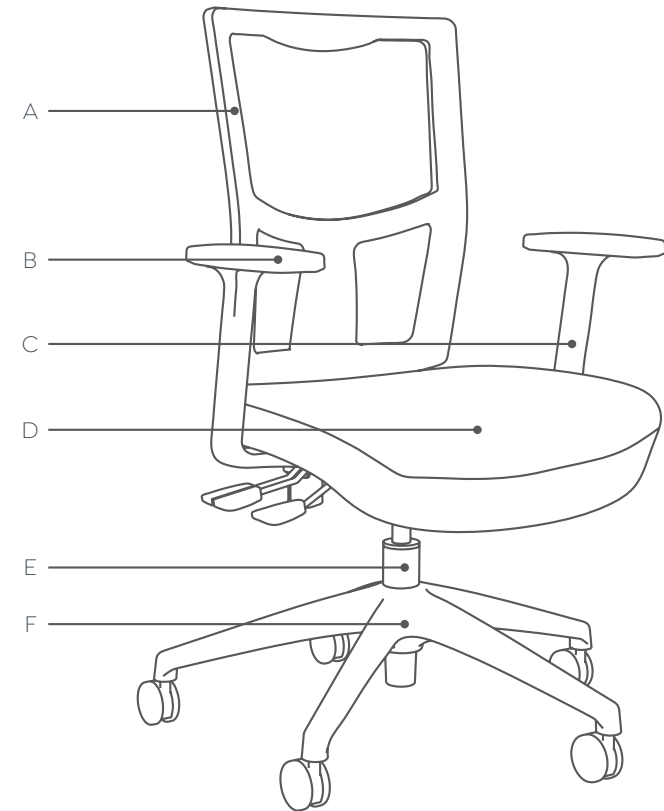
Base with Castor

F



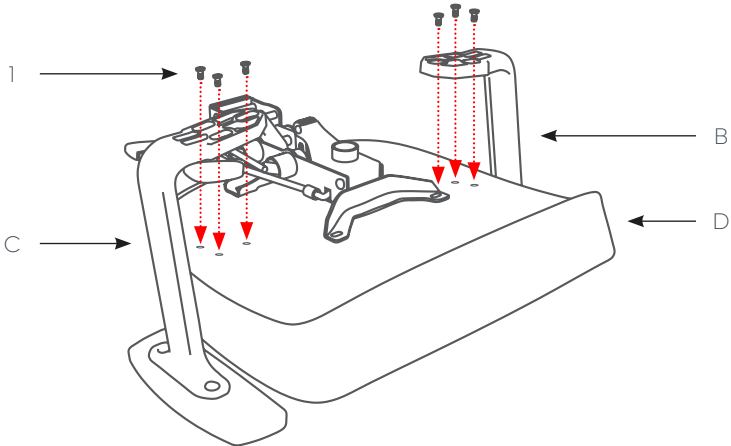
6 x Screw

I



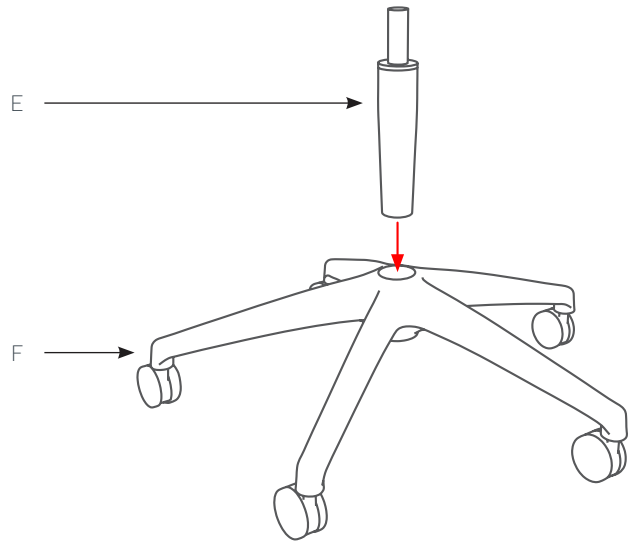
*To prevent possible scratches or damage, assemble the chair on a soft surface such as a blanket, carpet or packaging

STEP 1:



Optional Arm Upgrade

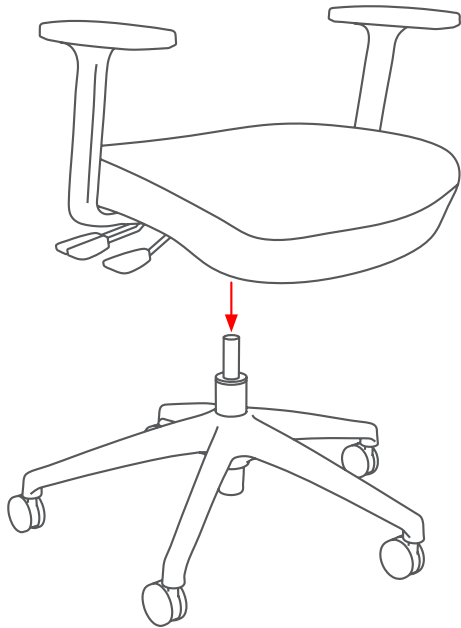
STEP 2:



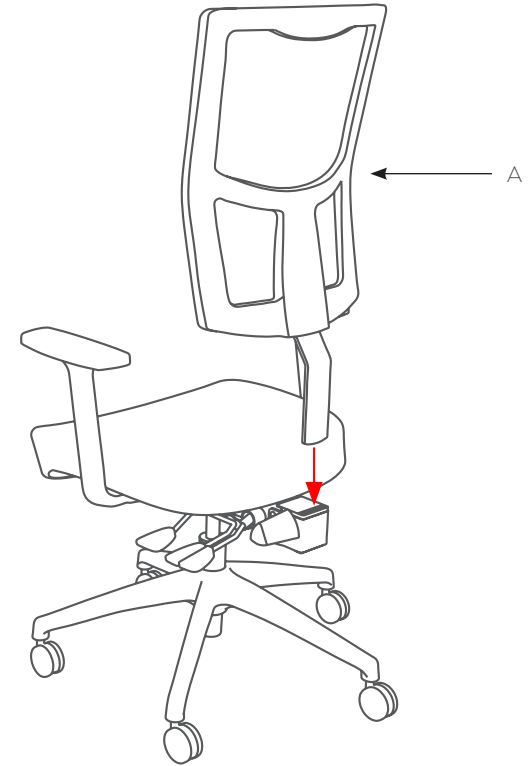
Urban Mesh Chair

Assembly Instructions

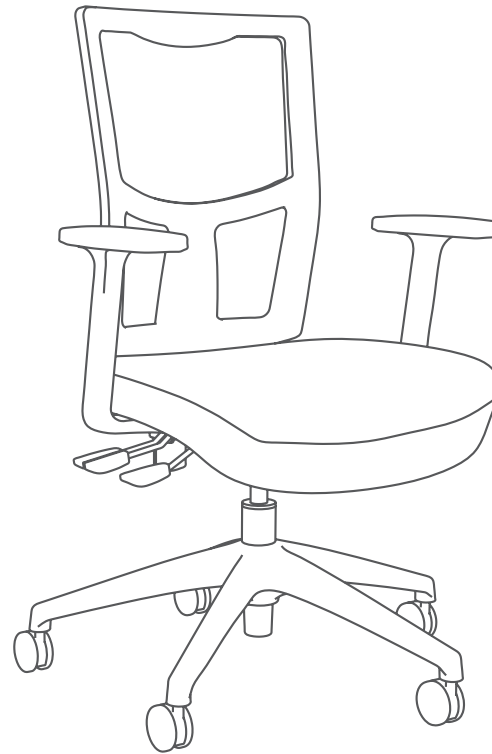
STEP 3:



STEP 4:



Complete:





Sydney 02 8188 2732

Melbourne 03 9111 0315

Brisbane 07 3733 1923

Adelaide 08 7111 0810

Perth 08 9468 2707

info@olgoffice.com

myolg.online | olgoffice.com | officedesigner.net | motionoffice.com