

OLG



---

## Scroll Chair

Assembly Instructions

# Scroll Chair

## Components List



Seat

A



Gas Cylinder

B



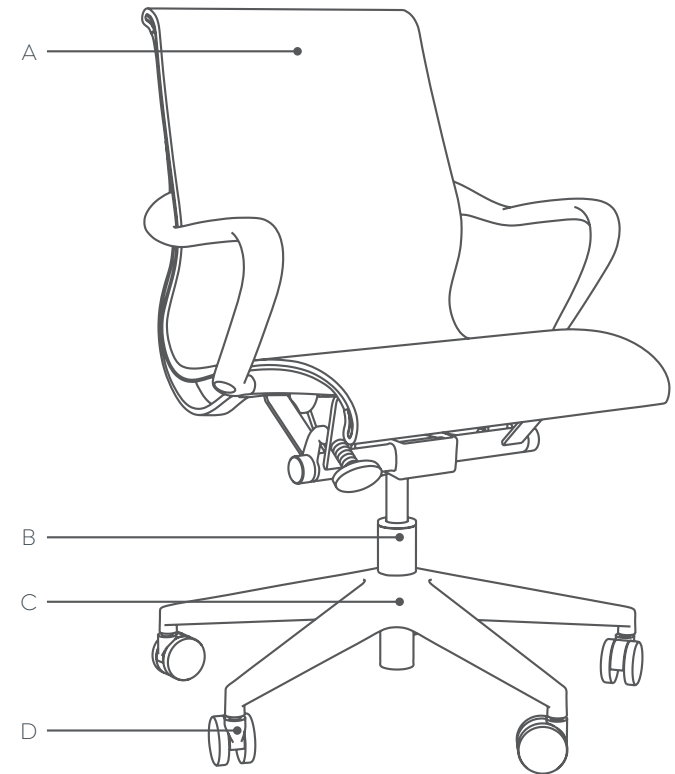
Base

C

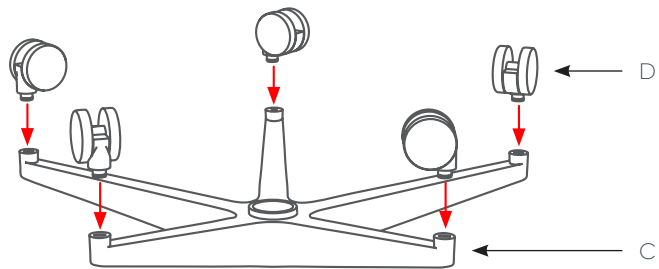


5 x Castor

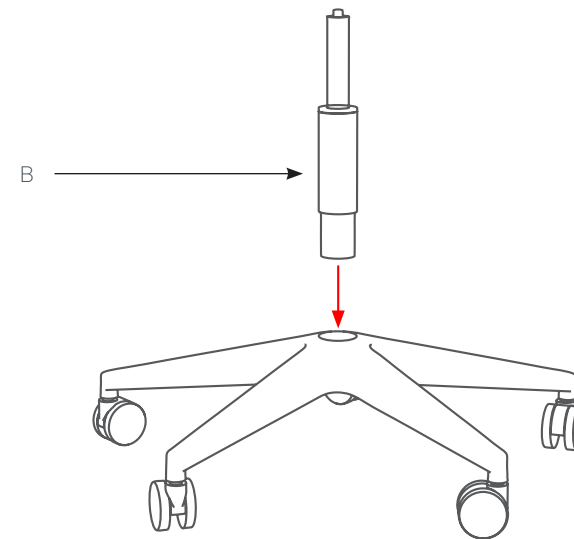
D



### STEP 1:



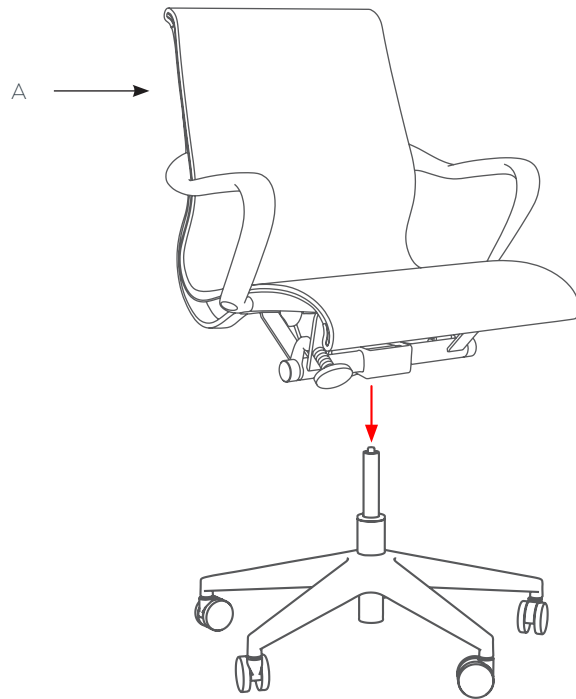
### STEP 2:



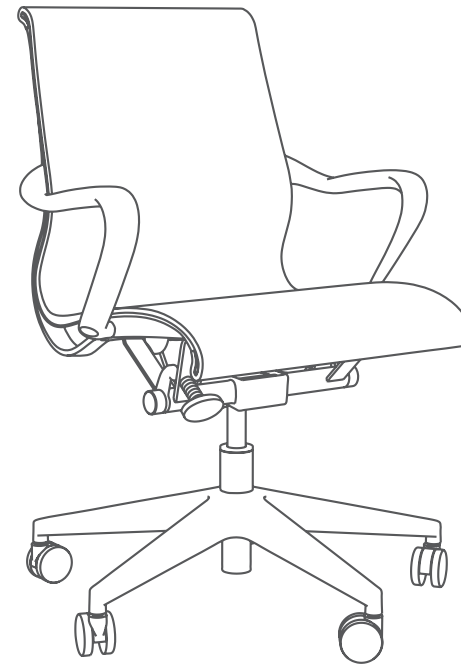
# Scroll Chair

## Assembly Instructions

### STEP 3:



### Complete:





**Sydney** 02 8188 2732

**Melbourne** 03 9111 0315

**Brisbane** 07 3733 1923

**Adelaide** 08 7111 0810

**Perth** 08 9468 2707

[info@olgoffice.com](mailto:info@olgoffice.com)

[myolg.online](http://myolg.online) | [olgoffice.com](http://olgoffice.com) | [officedesigner.net](http://officedesigner.net) | [motionoffice.com](http://motionoffice.com)