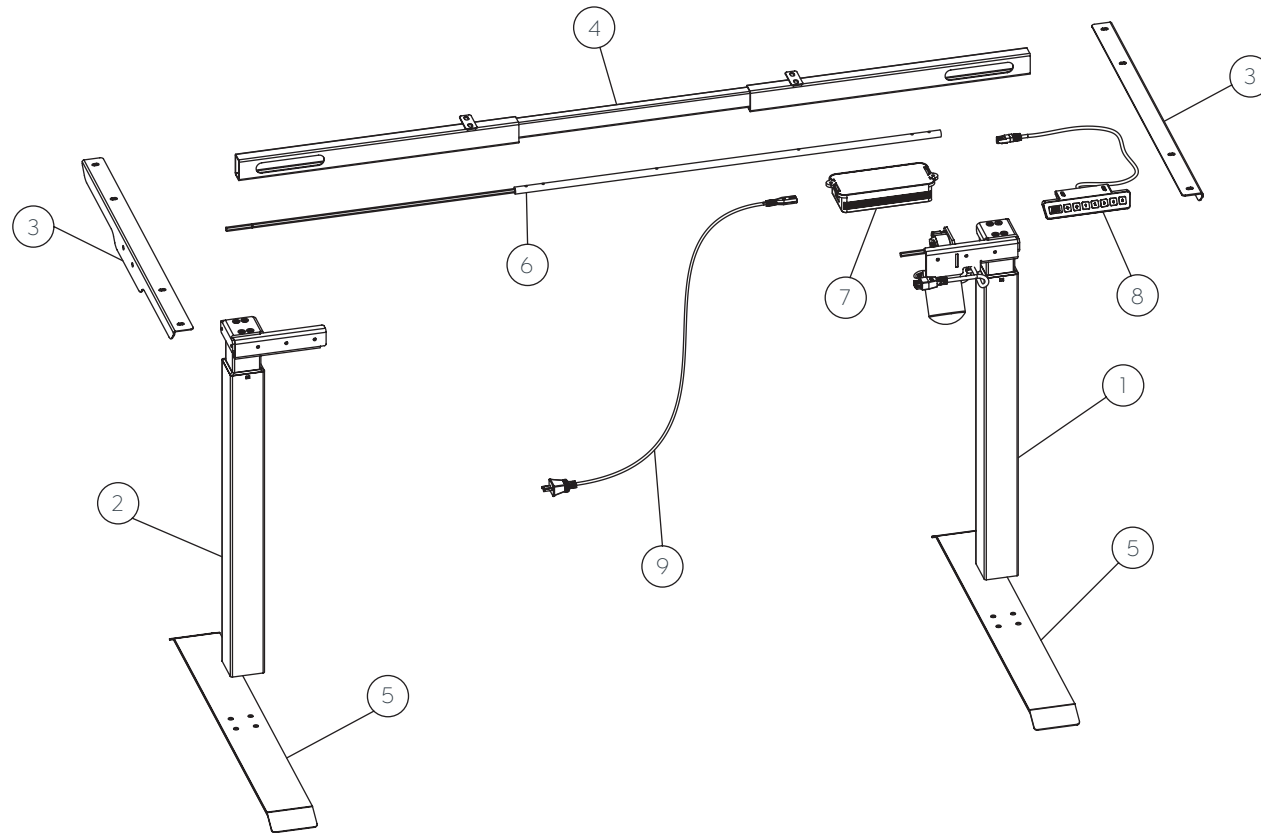


Quickstand Desk

Assembly Instructions

Quickstand Desk

Components List



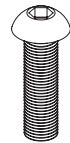
Hardware included:

A (10pcs)



10 - M6 x 12

B (8pcs)



8 - M8 x 30

C (4pcs)



4 - M4.2 x 16

D (10pcs)



10 - ST5.0 x 22

Tools Included:



M5

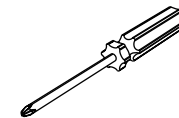
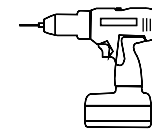


M4



M2.5

Tools Required:



Quickstand Desk

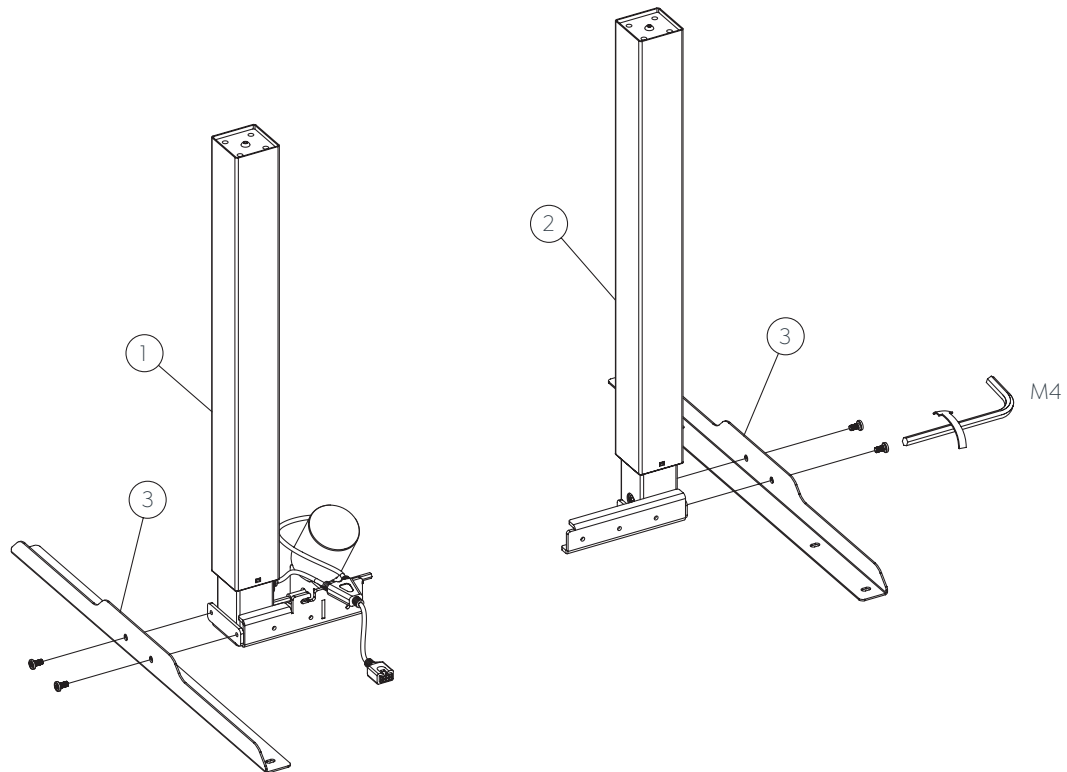
Assembly Instructions

STEP 1:

A (4pcs)



M6 x 12

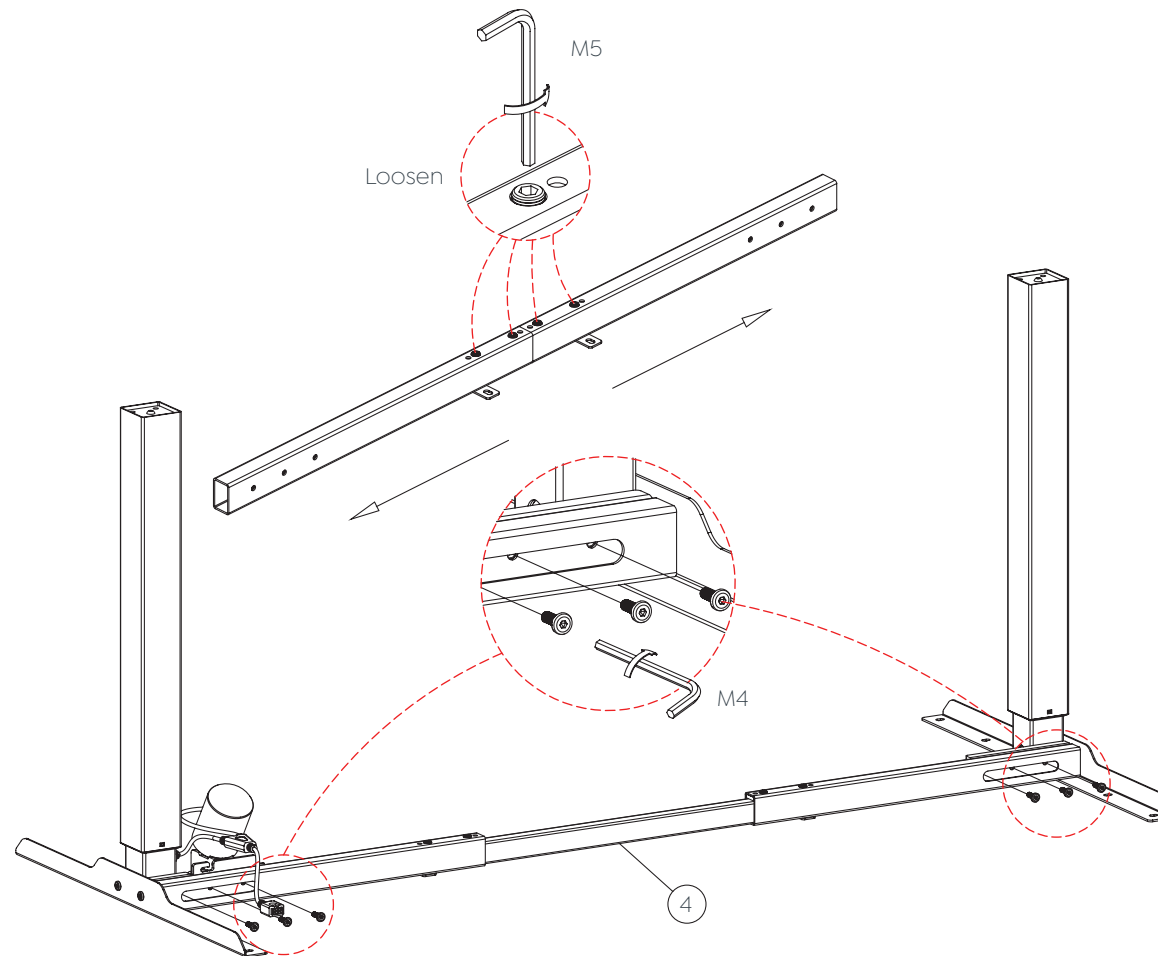


STEP 2:

A (6pcs)



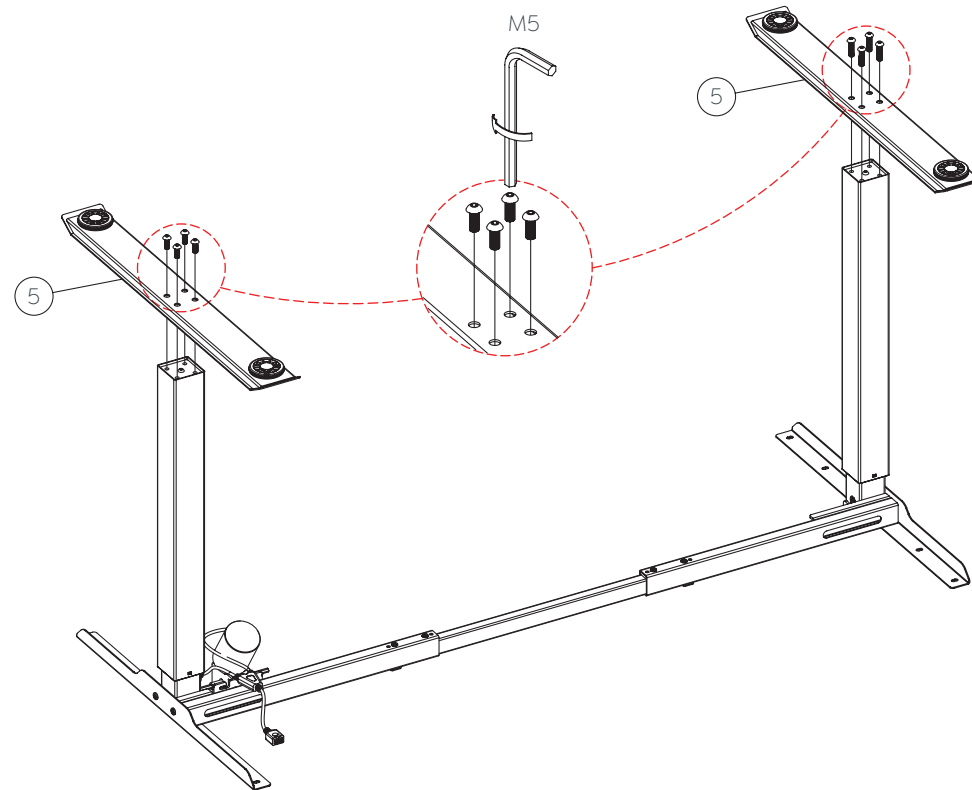
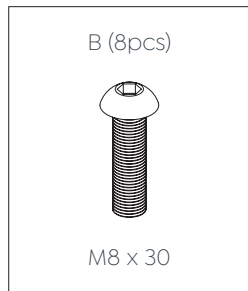
M6 x 12



Quickstand Desk

Assembly Instructions

STEP 3:

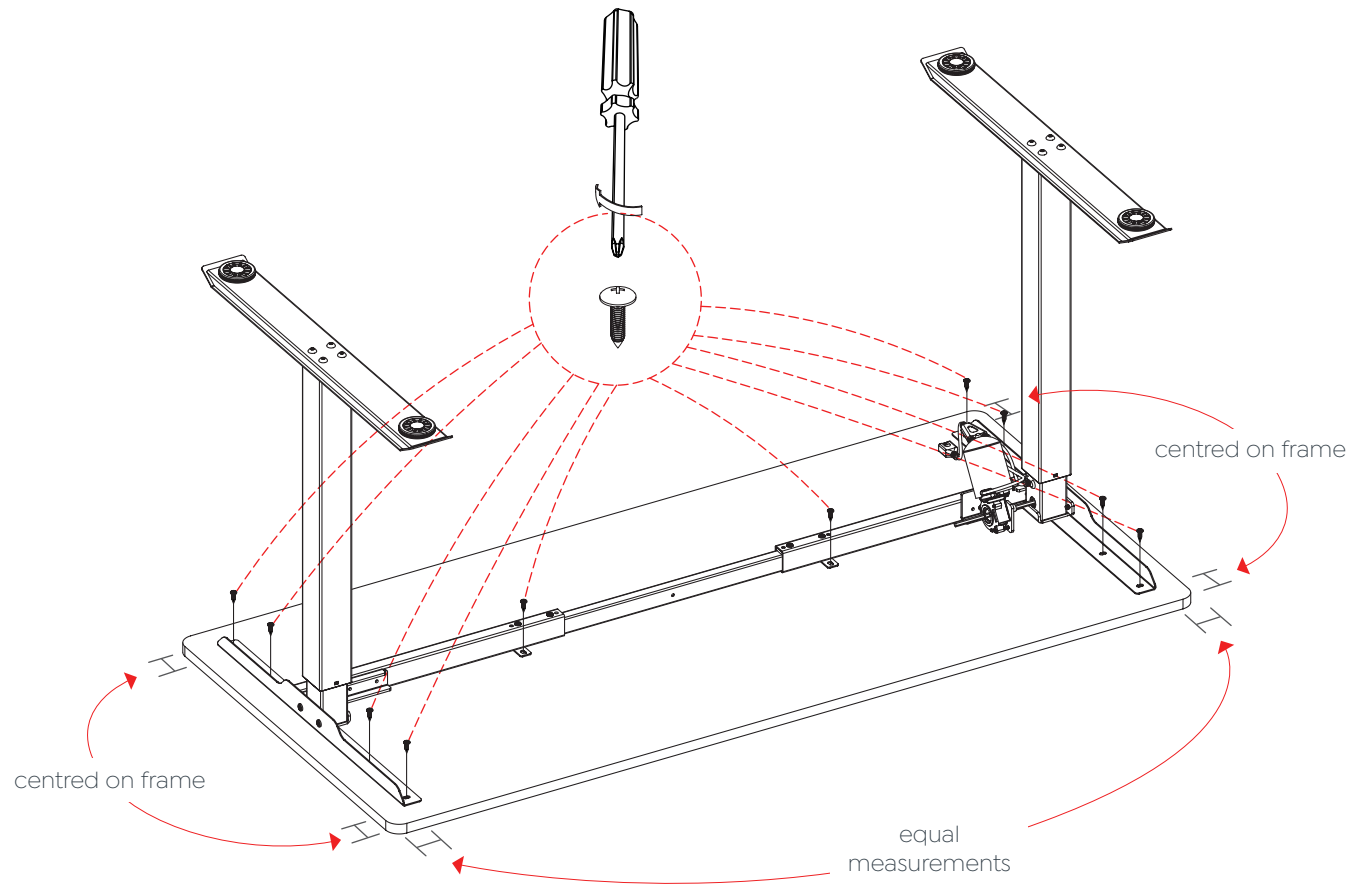


STEP 4:

D (10pcs)



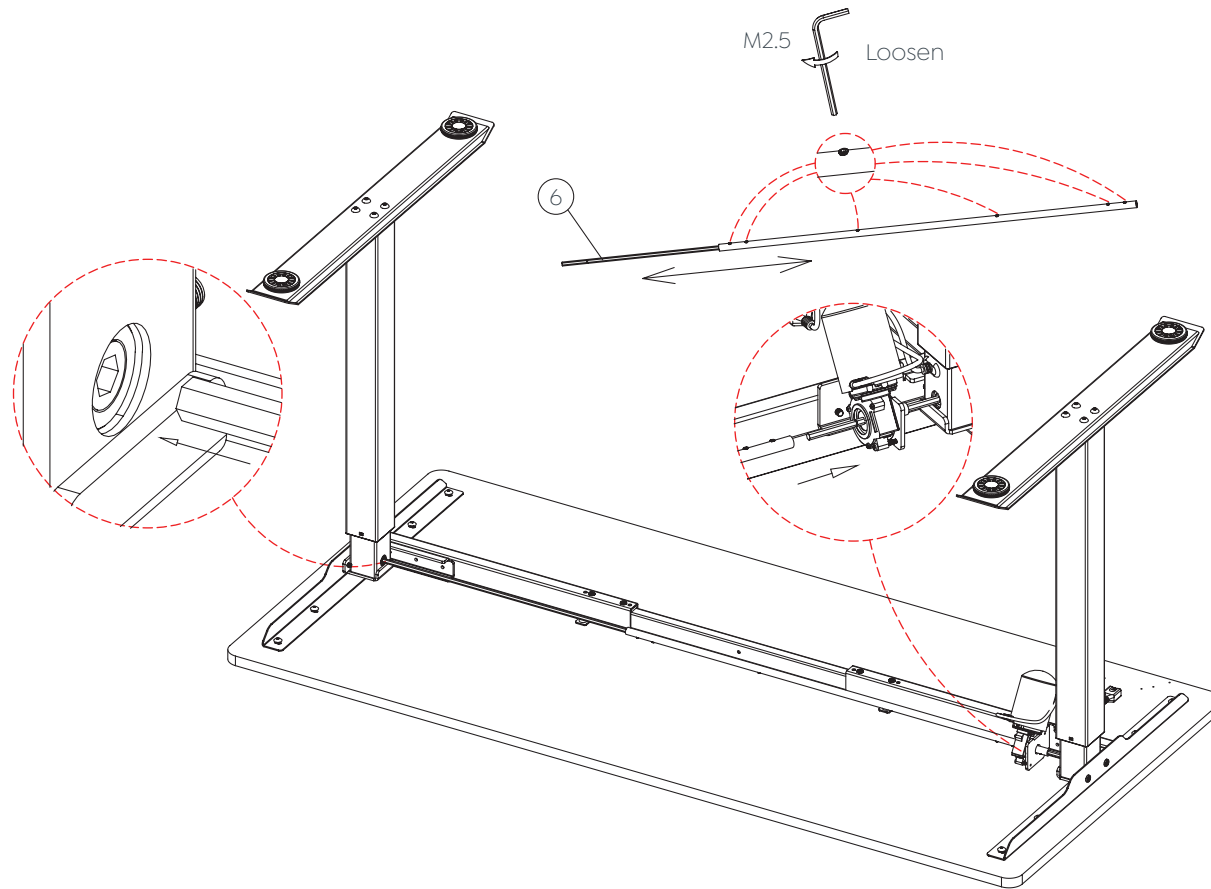
10 - ST5.0 x 22



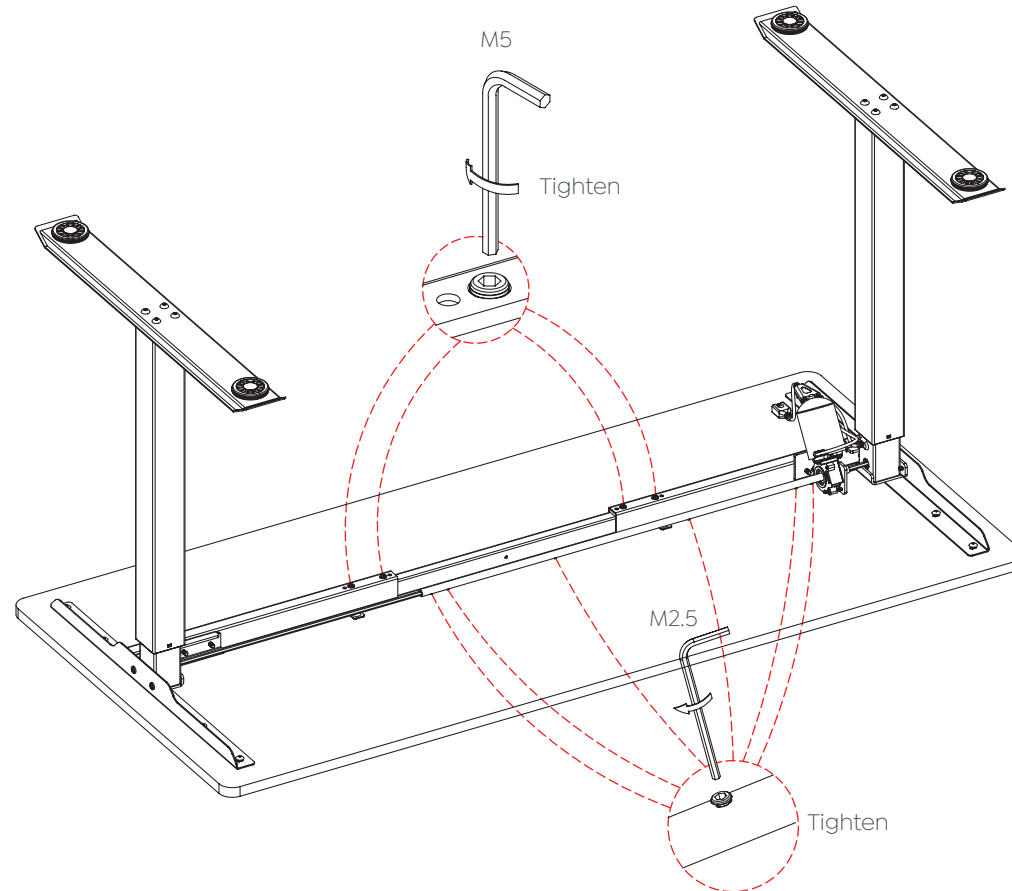
Quickstand Desk

Assembly Instructions

STEP 5:



STEP 6:



Quickstand Desk

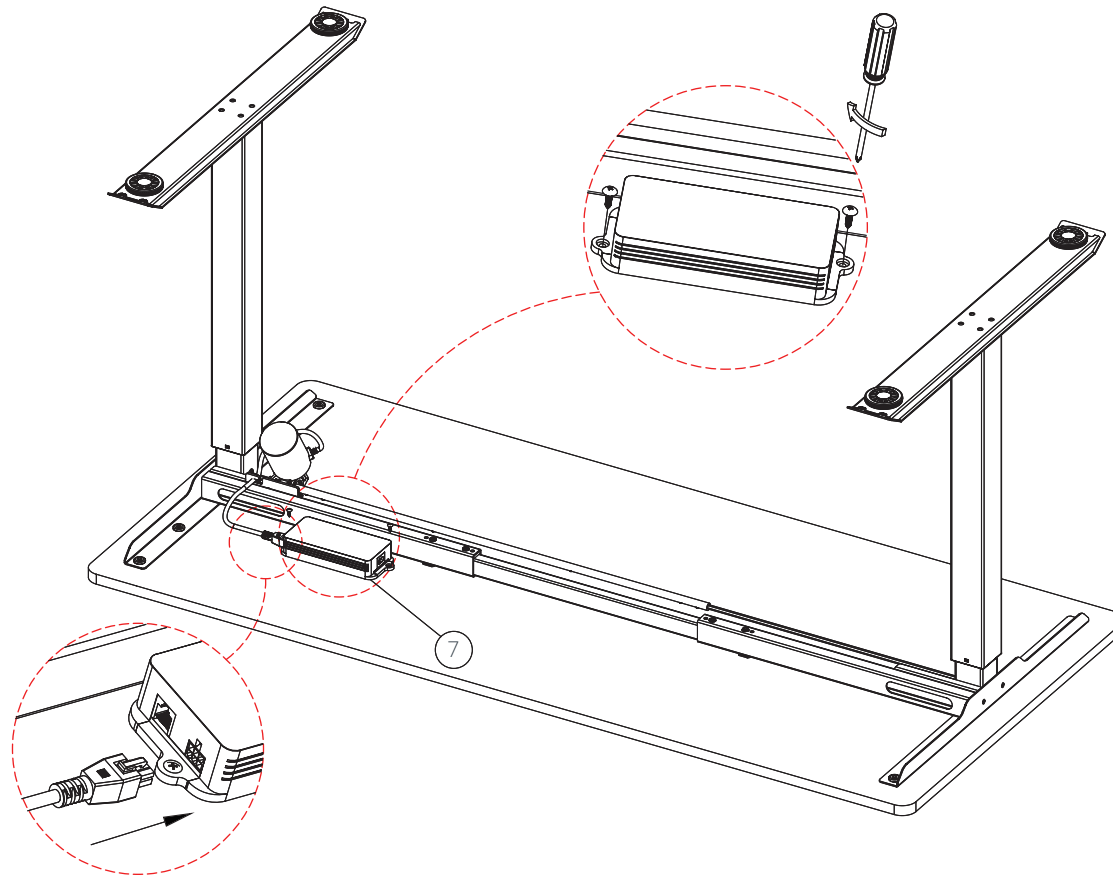
Assembly Instructions

STEP 7:

C (2pcs)



M4.2 x 16

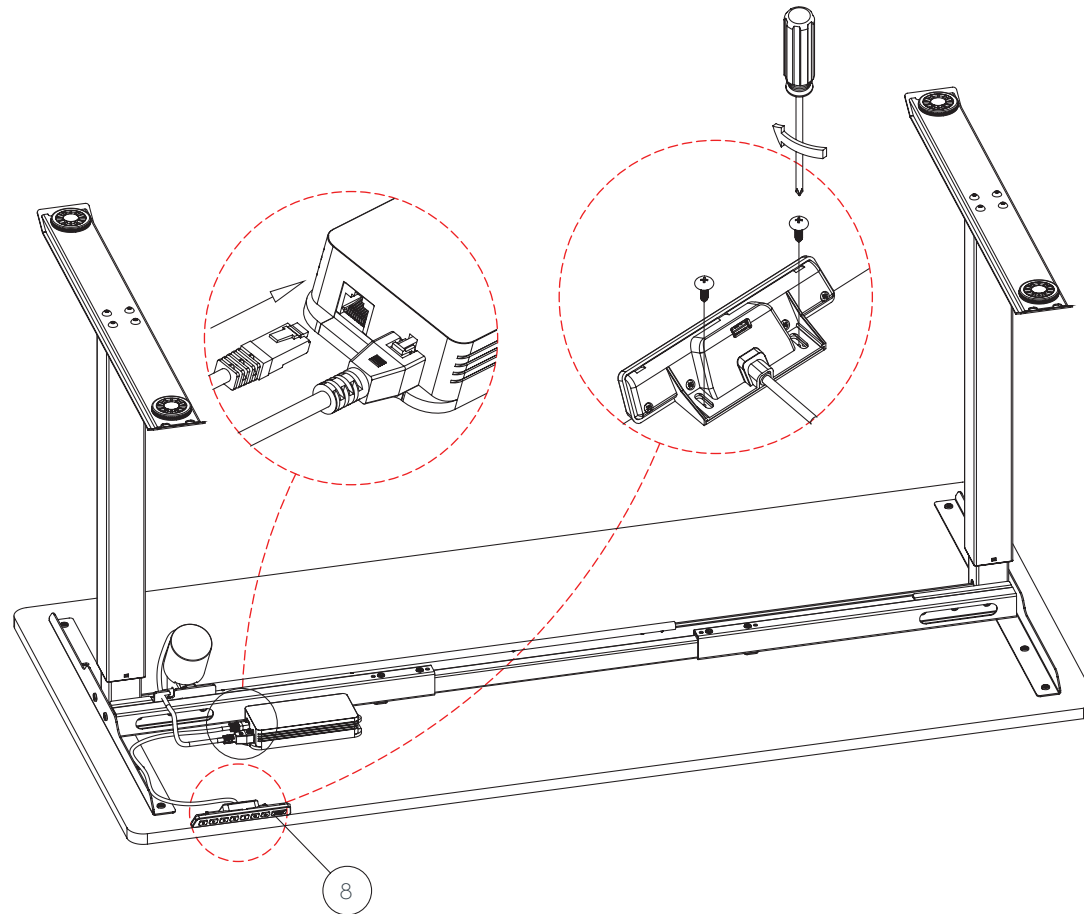


STEP 8:

C (2pcs)



M4.2 x 16



Quickstand Desk

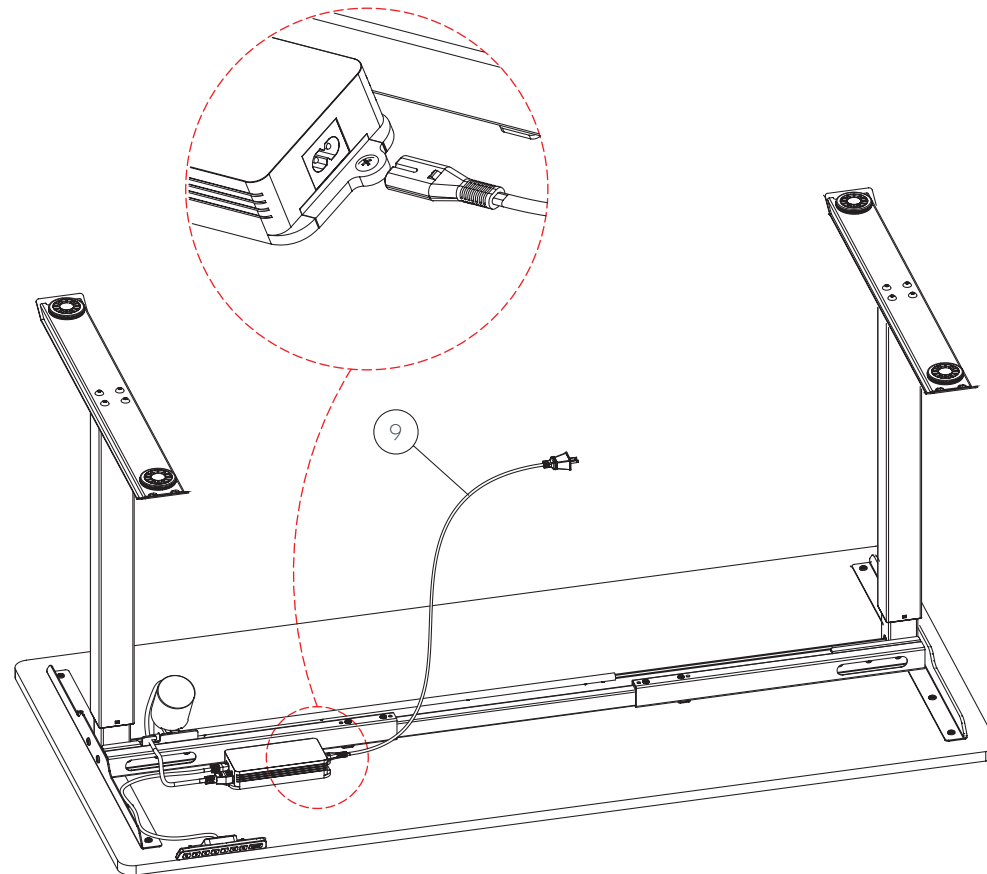
Assembly Instructions

STEP 9:

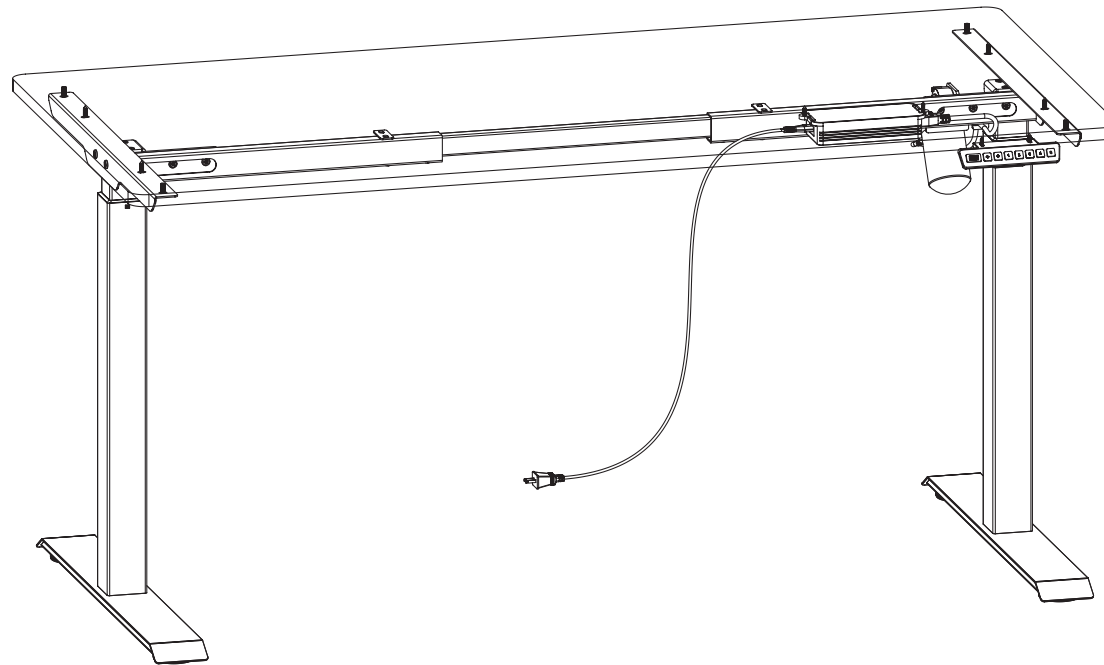
C (2pcs)



M4.2 x 16



STEP 10:





Sydney 02 8188 2732
Melbourne 03 9111 0315
Brisbane 07 3733 1923
Adelaide 08 7111 0810
Perth 08 9468 2707

info@olgoffice.com

myolg.online | olgoffice.com | officedesigner.net | motionoffice.com