







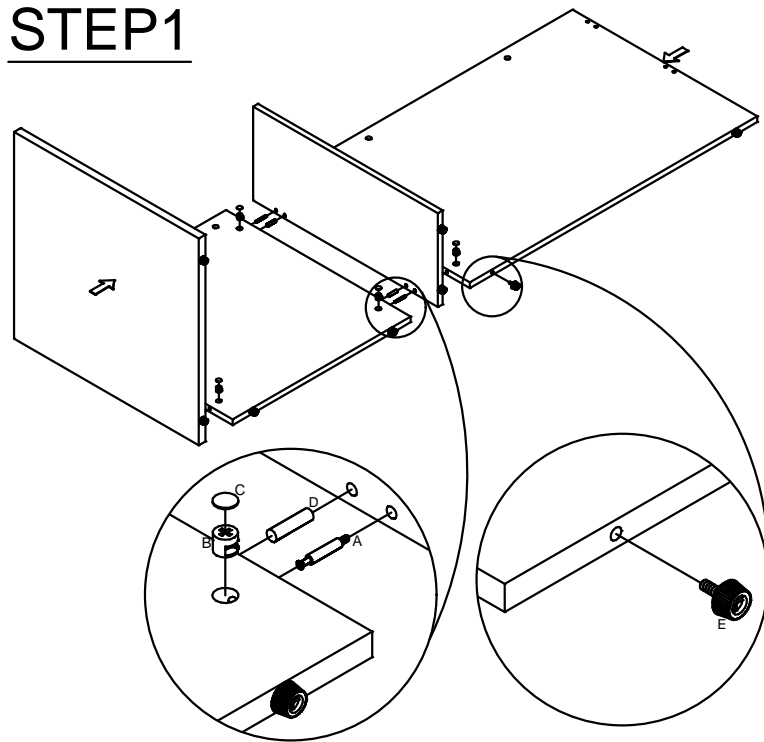


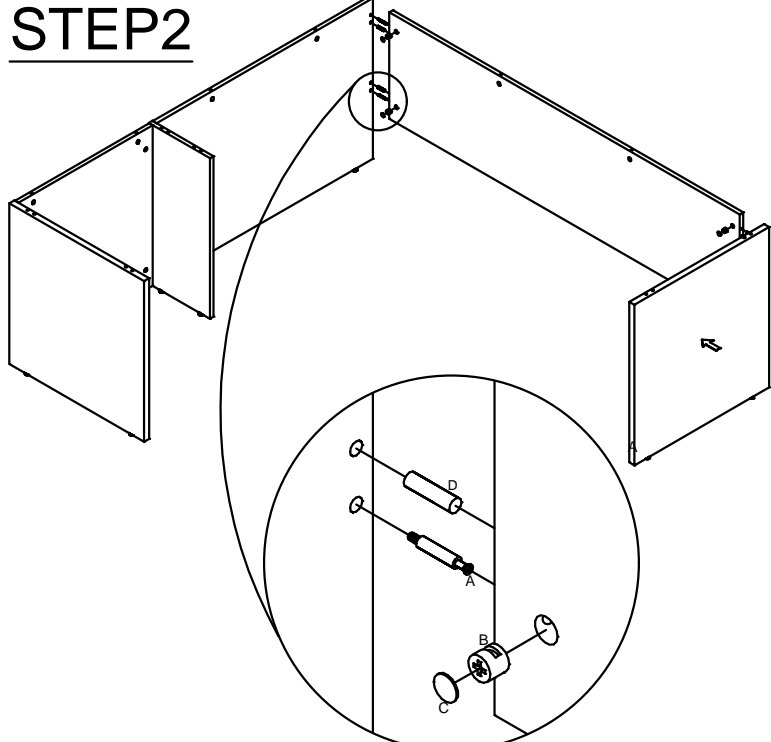
# Assembly Instructions OMJ-W18(L)-CSN

|   |   |  |  |   |   |   |  |
|---|---|--|--|---|---|---|--|
| <b>A</b><br><br>Cam lock<br>22Pcs+1Pc(spare) | <b>B</b><br><br>Klix Cam<br>22Pcs+1Pc(spare) | <b>C</b><br><br>Cam Cover<br>22Pcs+1Pc(spare) | <b>D</b><br><br>Dowel<br>16Pcs+1Pc(spare) | <b>E</b><br><br>Adjustable Glide<br>10 Pcs | <b>F</b><br><br>Screw(Ø6*15)<br>8Pcs | <b>G</b><br><br>Connector 200*60<br>1pcs | <b>H</b><br><br>Grommet<br>1Pcs |
|---|---|--|--|---|---|---|--|

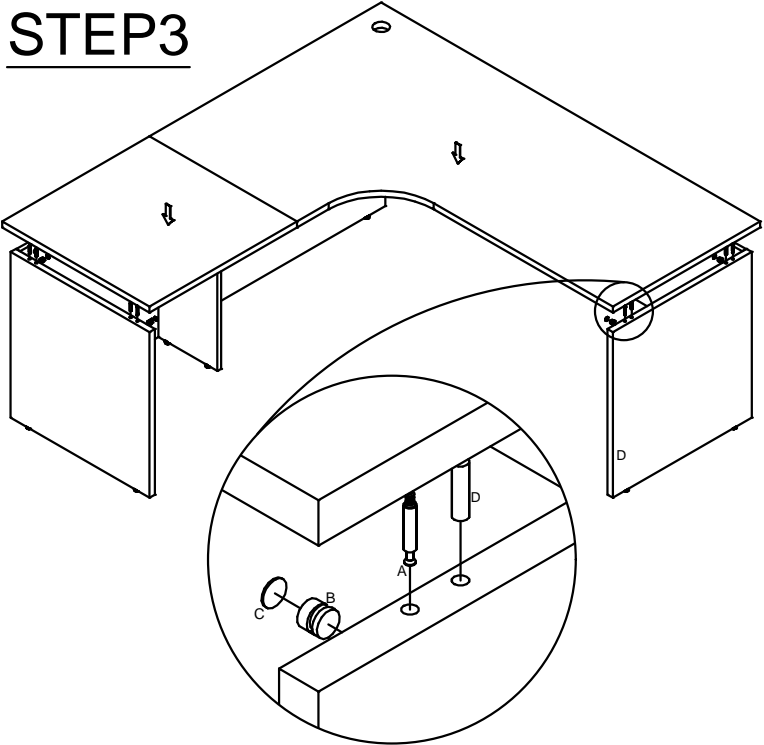
## STEP1



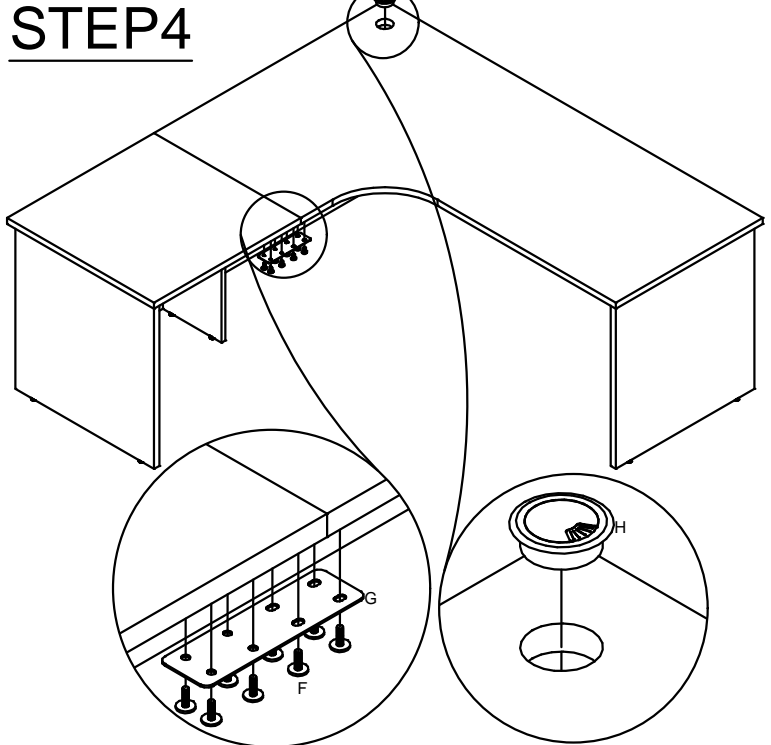
## STEP2



## STEP3




## STEP4



### IMPORTANT NOTE:

- Place all wooden parts on clean and smooth surface such as a rug or carpet to avoid the parts from being scratched.
- Check to be sure that you have all parts and hardware.
- Remove all wrapping materials, including staples & packing straps before you start to assemble.
- Do not tighten all screws/bolts until all completely assembled.
- Keep all hardware parts out of reach of children.

**IMPORTANT:**  
FUNCTION OF KLIX CAM



1/4 RIGHT  
TURN FOR  
LOCKING

MAKE SURE THE ARROW IS  
POINTING UPWARDS BEFORE  
INSERTING INTO THE PANELS  
HOLE

