



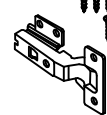

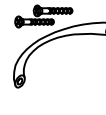
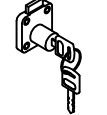



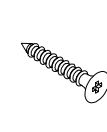
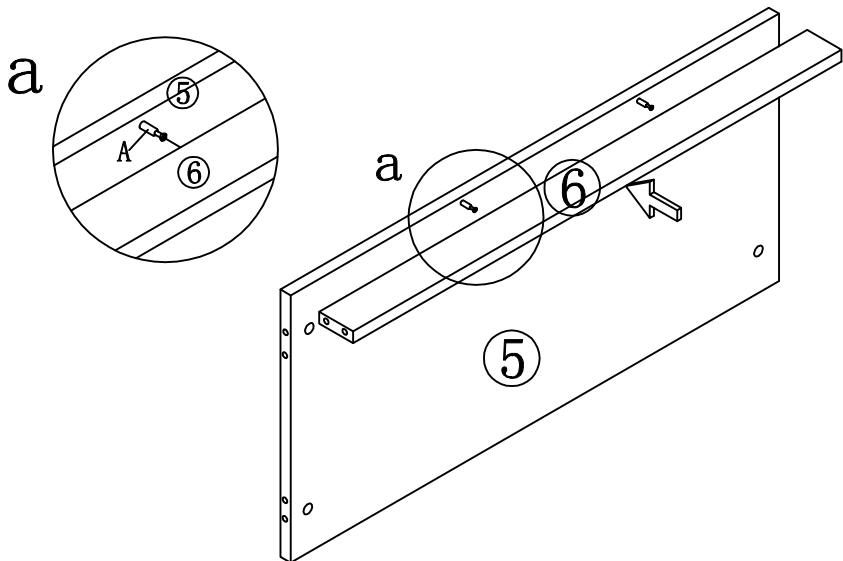


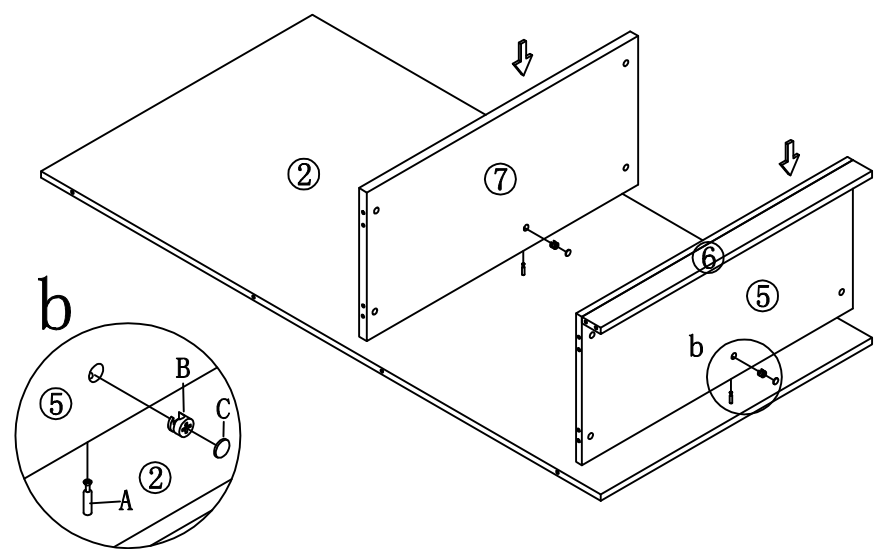
Assembly Instructions  
**MODEL NO. : OMJ-HC**  
 STATIONERY CABINET (FULL DOORS)

A  Cam lock 29Pcs+1Pc (spare)	B  Klix Cam 29Pcs+1Pc (spare)	C  Cam Cover 29Pcs+1Pc (spare)	D  Dowel 14Pcs+1Pc (spare)	E  Center door hinge 4Set	F  Shelf Dowel 12Pcs+1Pc (spare)	G  96mm Metal scallop shape 2Set	H  Lock 1Set	I  screw#3.5*12 8Pcs+1Pc (spare)		
J  Adjustable Glide 4 Pcs	K  Pin 1set	L  screw#4*19 4Pcs+1Pc (spare)								

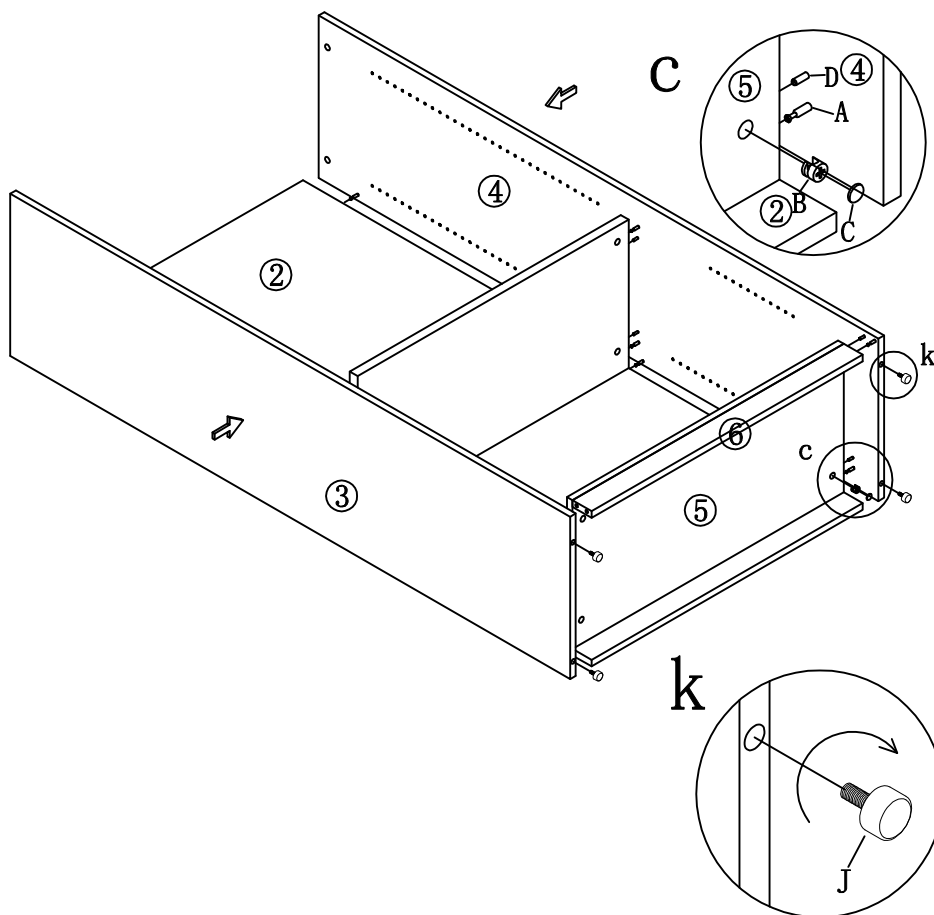
**STEP1**



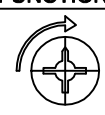
**STEP2**



**STEP3**



**IMPORTANT:**  
**FUNCTION OF KLIX CAM**



1/4 RIGHT  
TURN FOR  
LOCKING

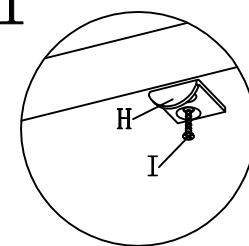
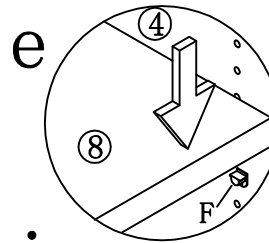
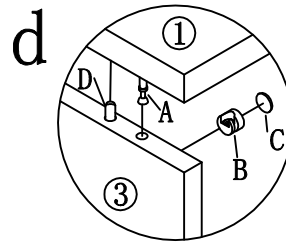
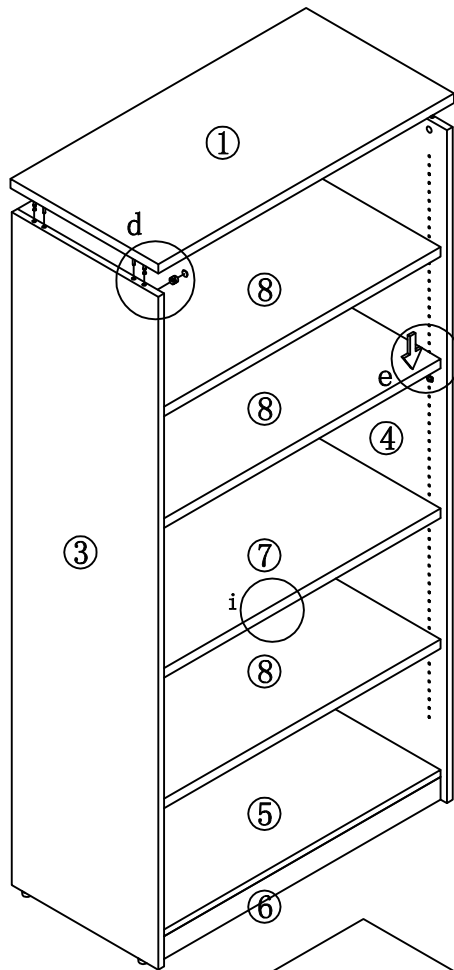
MAKE SURE THE ARROW IS  
POINTING UPWARDS BEFORE  
INSERTING INTO THE  
PANELS HOLE

**IMPORTANT NOTE:**

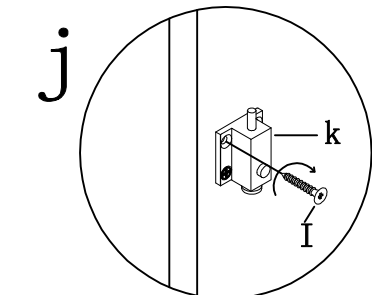
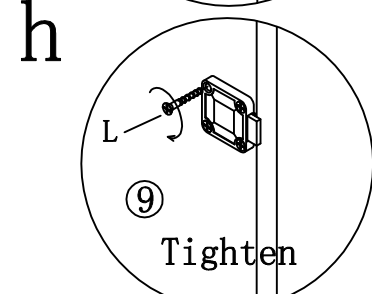
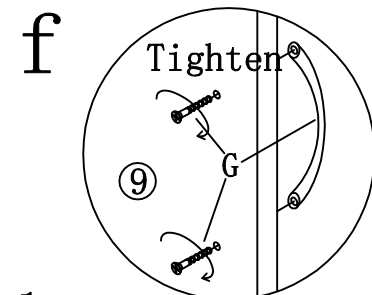
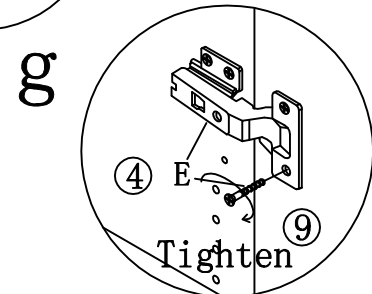
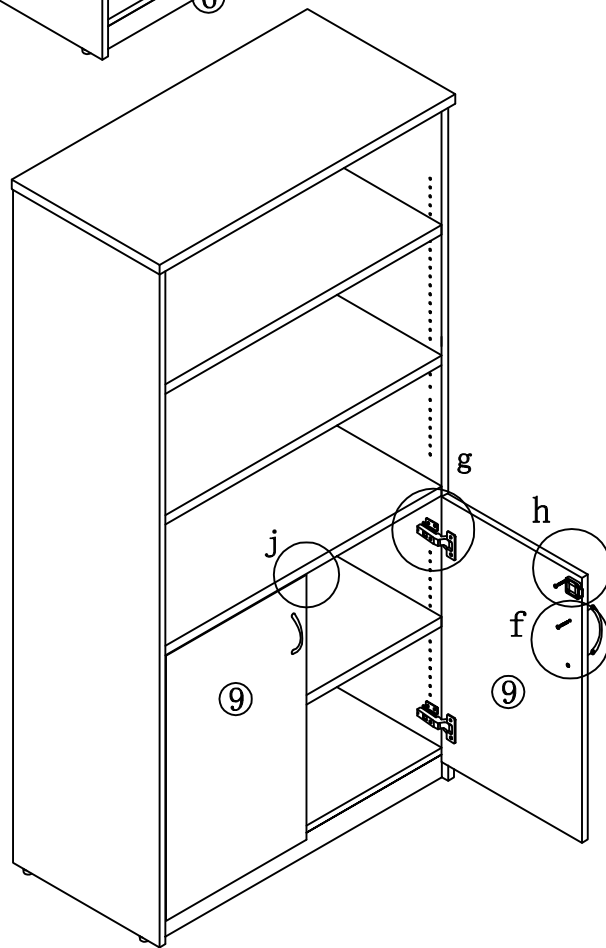
- Place all laminated parts on a clean and smooth surface such as a rug or carpet to avoid the parts from being scratched.
- Check to be sure that you have all parts and hardware.
- Remove all wrapping materials, including staples & packing straps before you start to assemble.
- Don't tighten all screws/bolts until all completely assembled.  
Keep all hardware parts out of reach of children

Assembly Instructions  
**MODEL NO. : OMJ-HC**  
 STATIONERY CABINET (FULL DOORS)

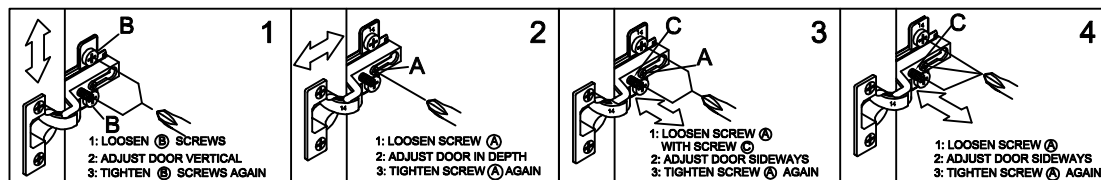
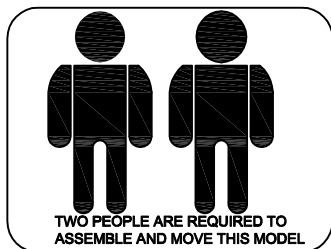
**STEP 4**



**STEP 5**



**COMPLETED ASSEMBLY**



**IMPORTANT NOTE:**

- Place all laminated parts on a clean and smooth surface such as a rug or carpet to avoid the parts from being scratched.
- Check to be sure that you have all parts and hardware.
- Remove all wrapping materials, including staples & packing straps before you start to assemble.
- Don't tighten all screws/bolts until all completely assembled.