







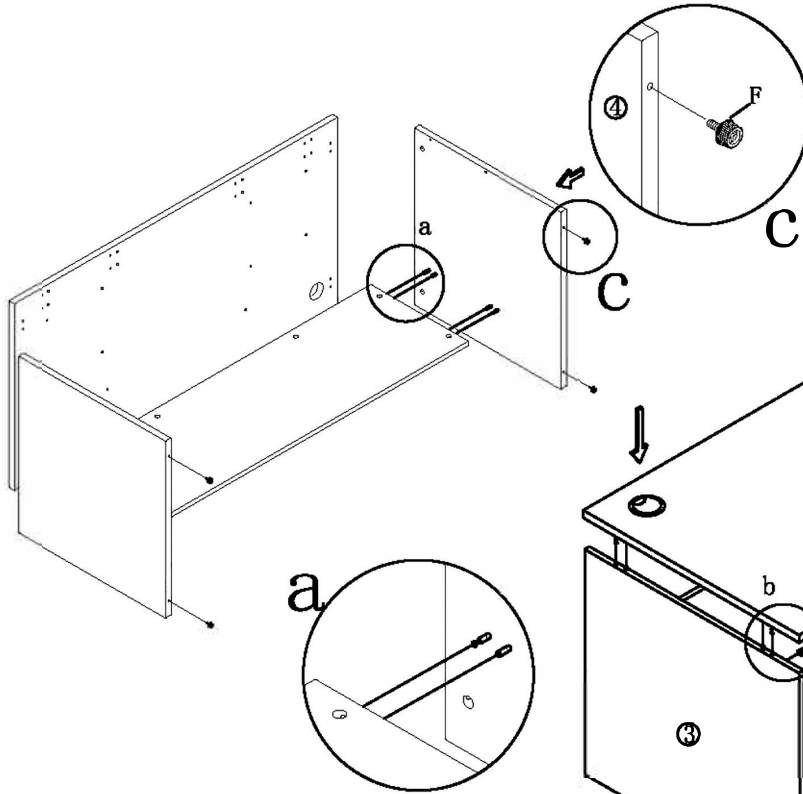
# Assembly Instructions

## MODEL NO.: OMJ-D1575

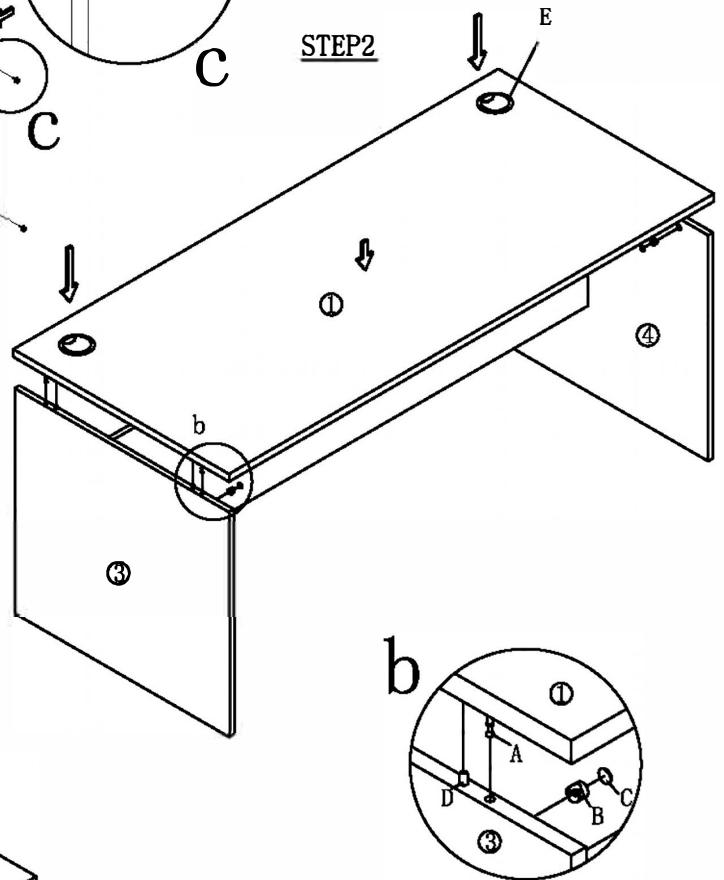
### DESK SHELL

<b>A</b>  Cam Lock 10Pcs+1Pc(spare)	<b>B</b>  Klix Cam 10Pcs+1Pc(spare)	<b>C</b>  Cam 10Pcs+1Pc(spare)	<b>D</b>  Dowel 8Pcs+1Pc(spare)	<b>E</b>  Grommet 2Pcs	<b>F</b>  Adjustable Glide 4 Pos
---	---	--	---	--	--

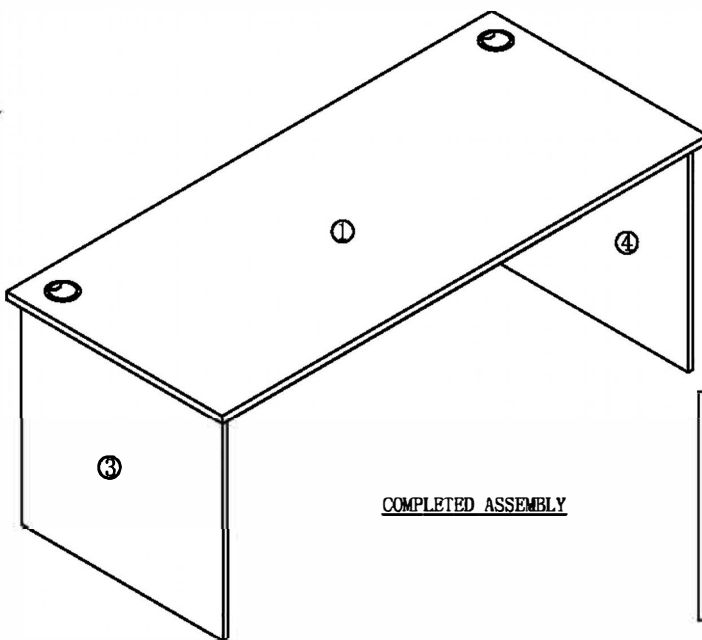
#### STEP1



#### STEP2




#### STEP3



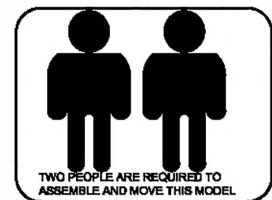
COMPLETED ASSEMBLY

**IMPORTANT:**  
**FUNCTION OF KLIX CAM**



1/4 RIGHT  
 TURN FOR  
 LOCKING

**MAKE SURE THE ARROW IS  
 POING UPWARDS BEFORE  
 INSERTING INTO THE PANELS  
 HOLE**



#### IMPORTANT NOTE:

- Place all laminated parts on a clean and smooth surface such as a rug or carpet to avoid the parts from being scratched.
- Check to be sure that you have all parts and hardware.
- Remove all wrapping materials, including staples & packing straps before you start to assemble.
- Don't tighten all screws/bolts until all completely assembled.