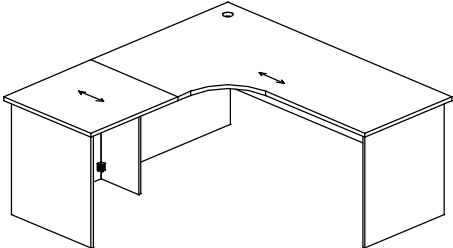
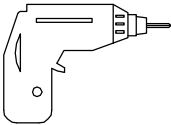







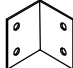
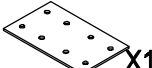
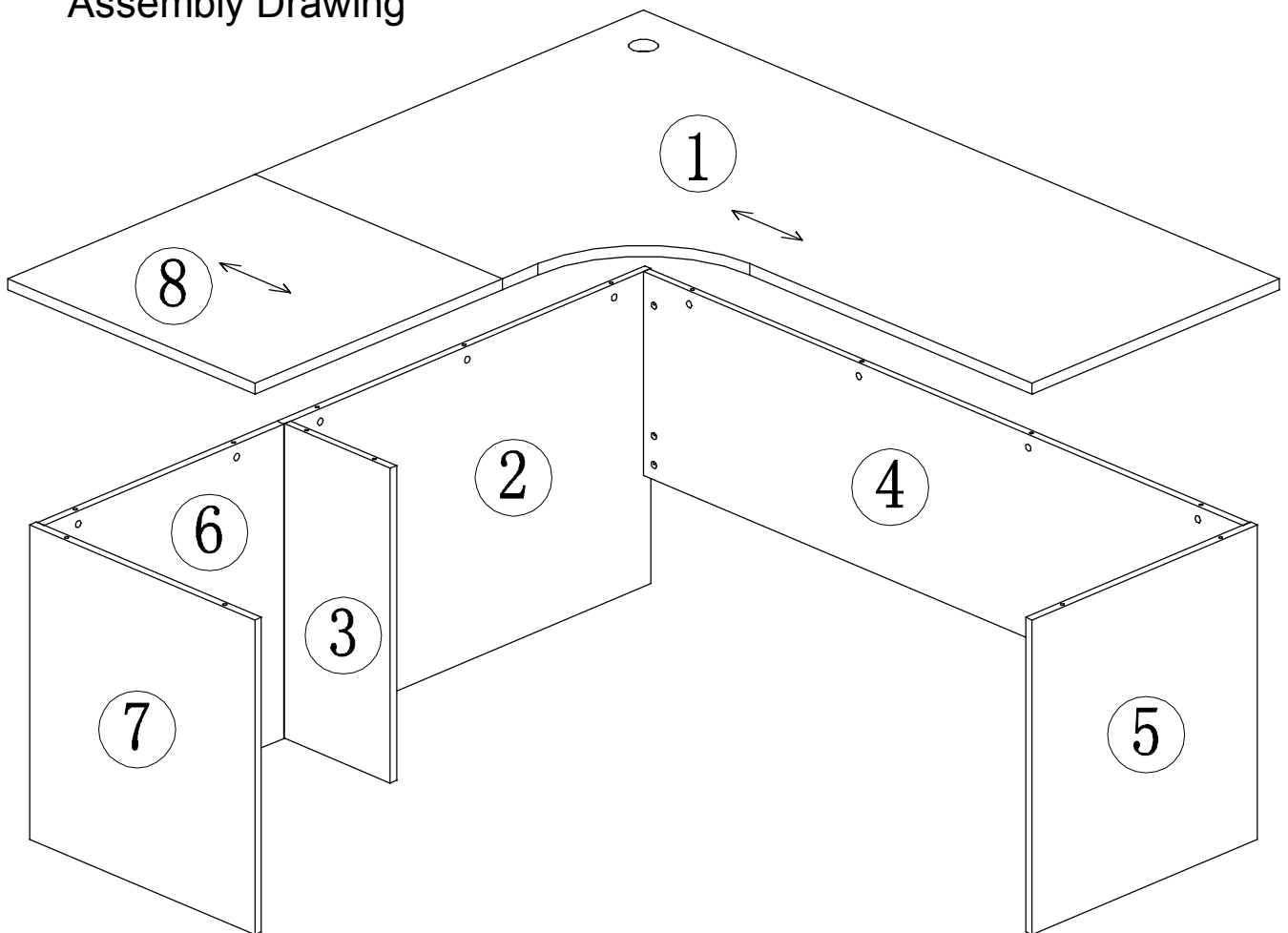


TOOLS	Connecting Parts			
	 A  X27	 E  X20		
	 B X27			
 	 C X3			
	 D X1			

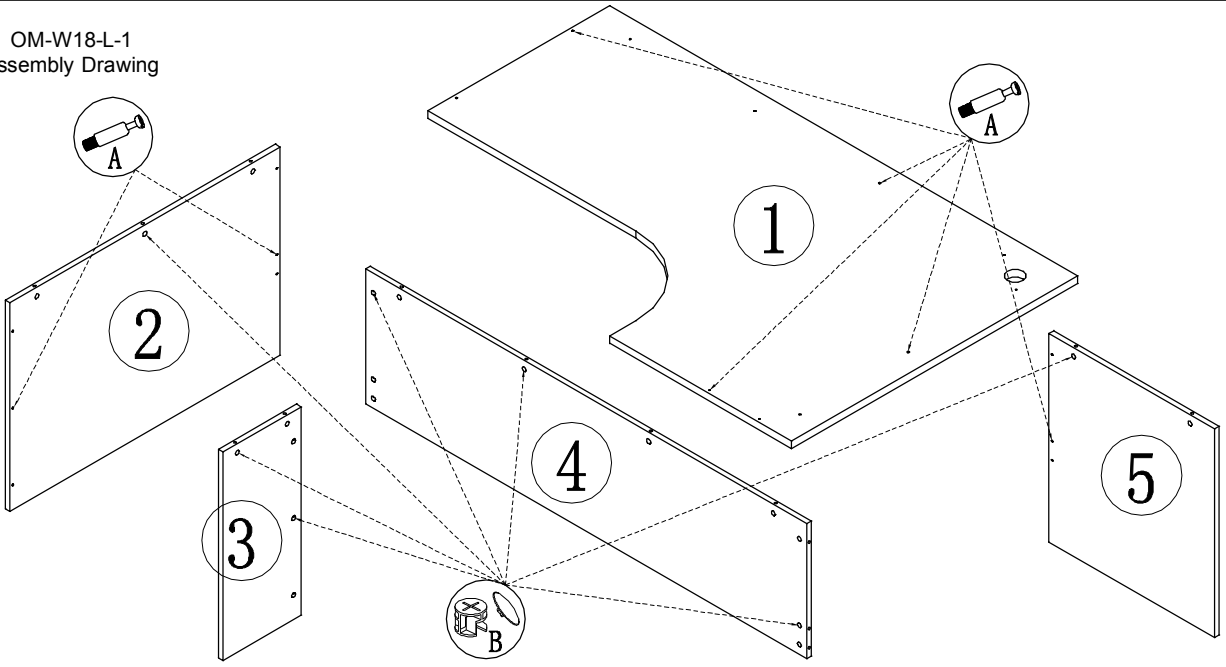
OM-W18-L
Assembly Drawing




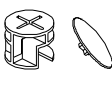
Series No.	Specification (W*D*H)	qty	Series No.	Specification (W*D*H)	qty	Series No.	Specification (W*D*H)	qty
1	1800*1100*25	1	6	695*672*18	1	11		
2	1040*695*18	1	7	695*637*25	1	12		
3	695*300*18	1	8	700*700*25	1	13		
4	1691*450*18	1	9			14		
5	695*637*25	1	10			15		

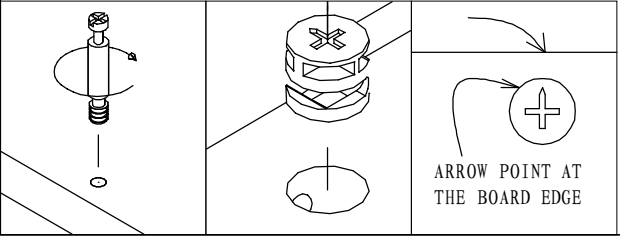
OM-W18-L-1
Assembly Drawing

1

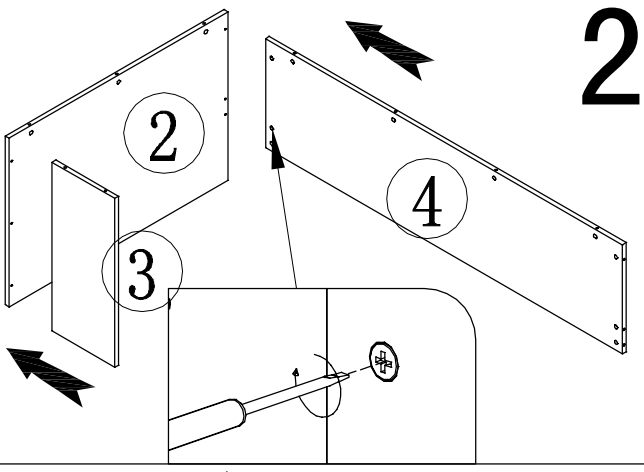


Connecting Parts

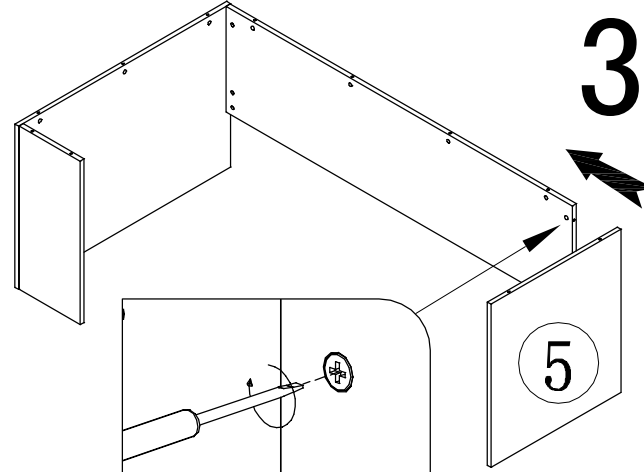
A	 X20	
B	 X20	



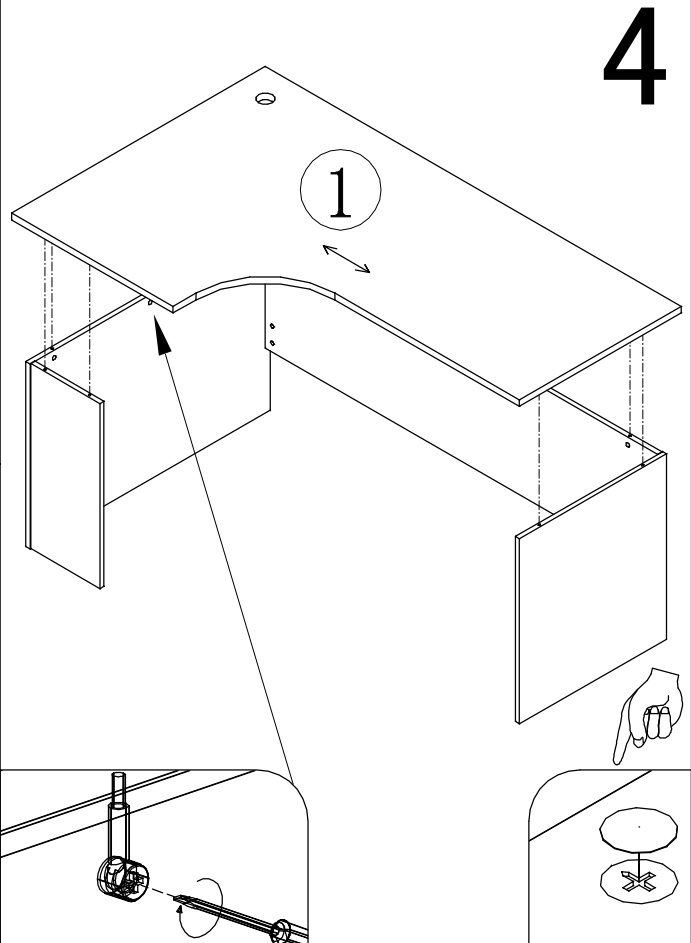
2

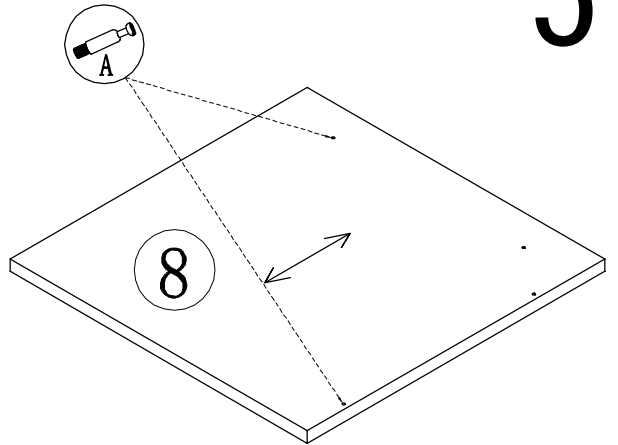
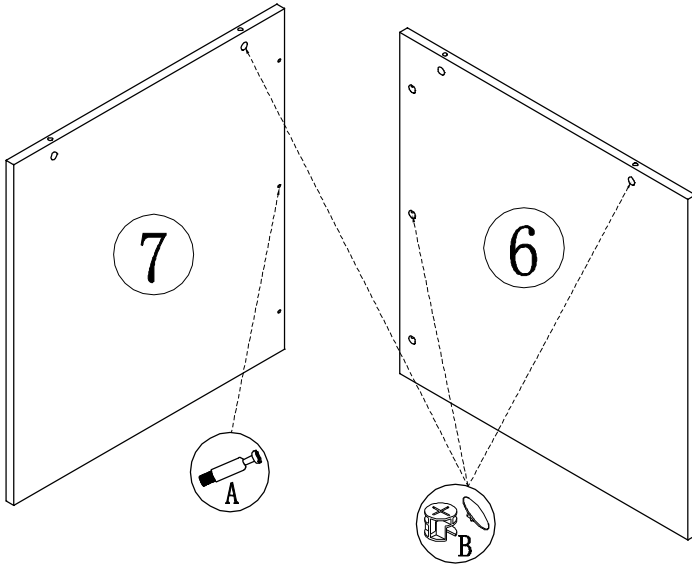


3



4





Connecting Parts

