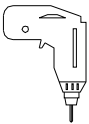

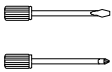
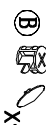


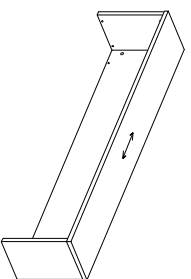
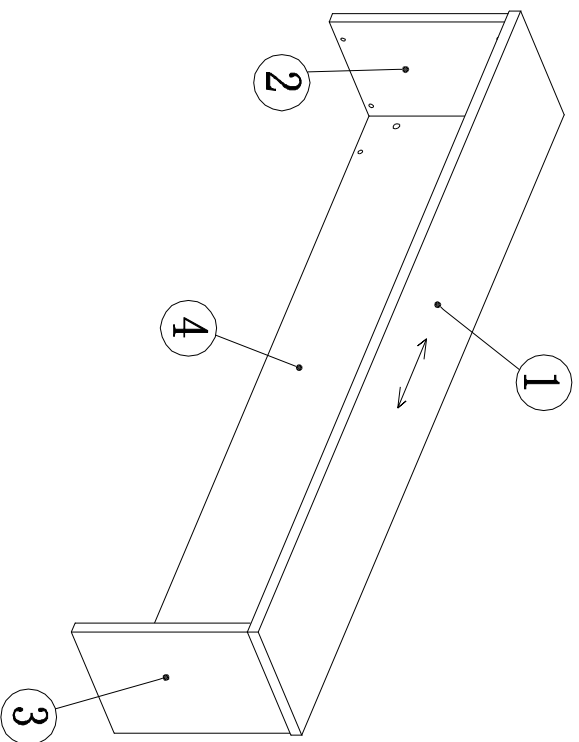


TOOLS	Connecting Parts		
		X12	
		X12	
		X6	
		X6	






OM-HB15
Assembly Drawing



Series No.	Specification (mmφ)	qty	Series No.	Specification (mmφ)	qty	Series No.	Specification (mmφ)	qty
1	1500*300*25	1	6			11		
2	400*29.4*25	1	7			12		
3	400*29.4*25	1	8			13		
4	1444*400*18	1	9			14		
5			10			15		

1

Connecting Parts

	X12		X6
	X12		

2

3

4