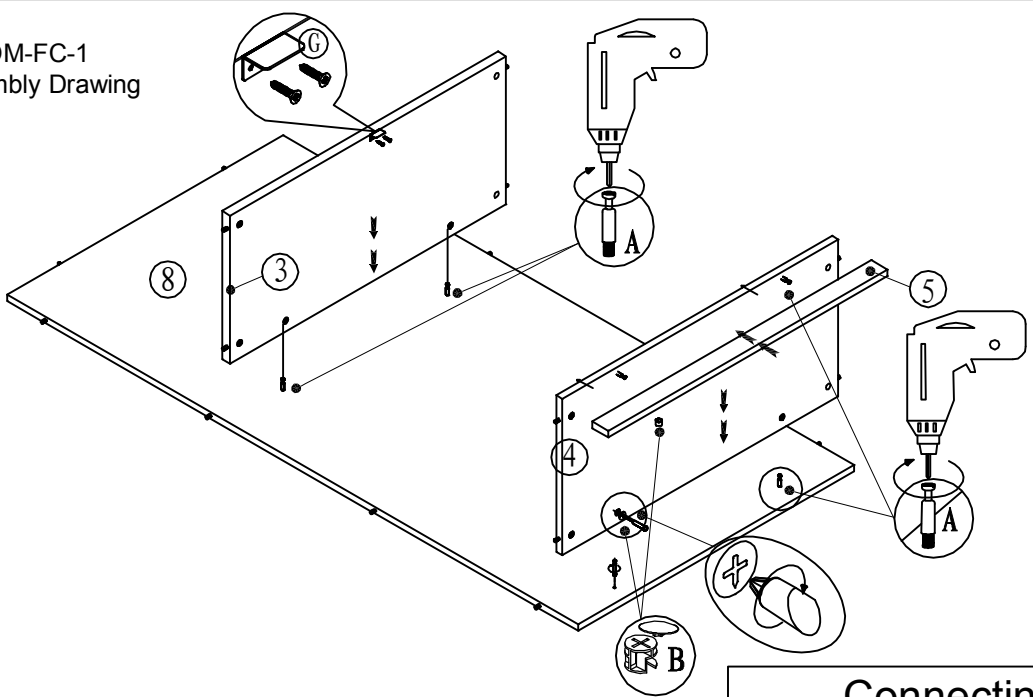






OM-FC-1
Assembly Drawing

1

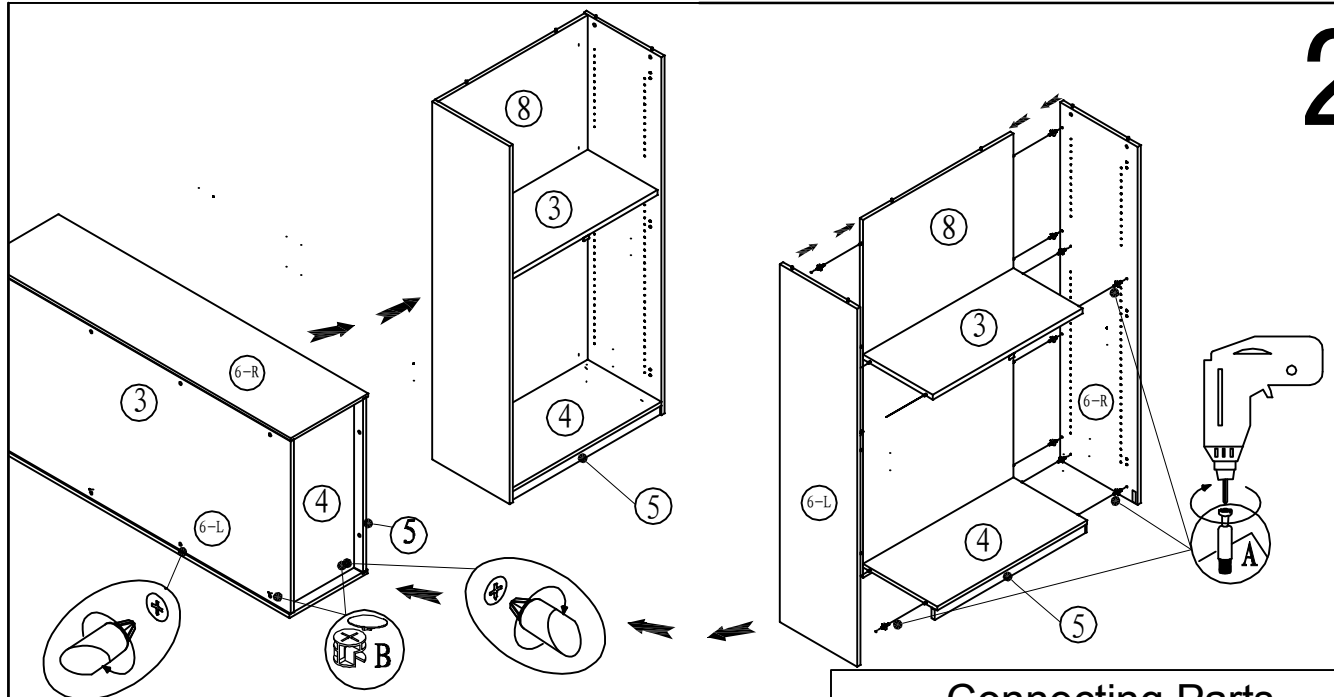


Connecting Parts


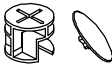
(A)	 X6	(G)	 X1
(B)	 X6	(H)	 X2

ARROW POINT AT THE BOARD EDGE

2



Connecting Parts

(A)	 X16		
(B)	 X16		

ARROW POINT AT THE BOARD EDGE