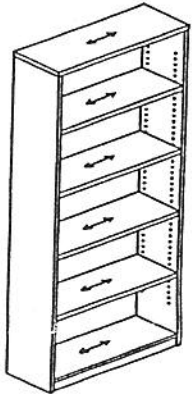
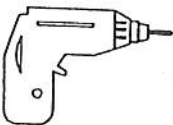


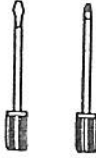

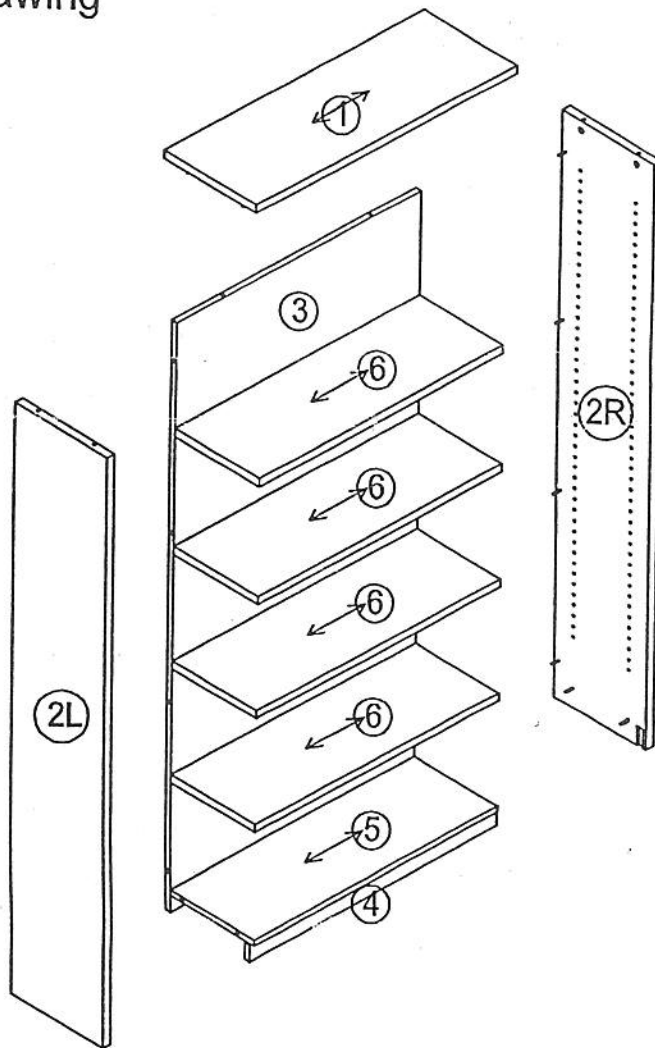


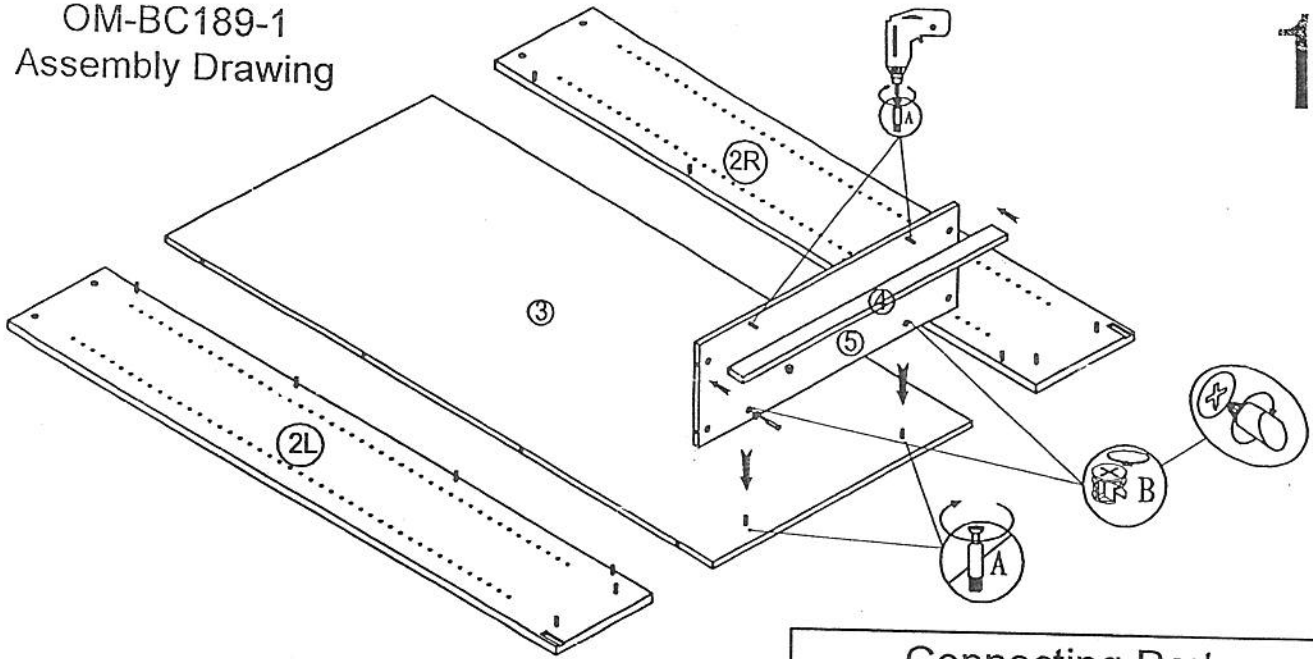
TOOLS	Connecting Parts			
	(A)  X22			
	(B)  X22			
	(C)  X16			

OM-BC189  
Assembly Drawing



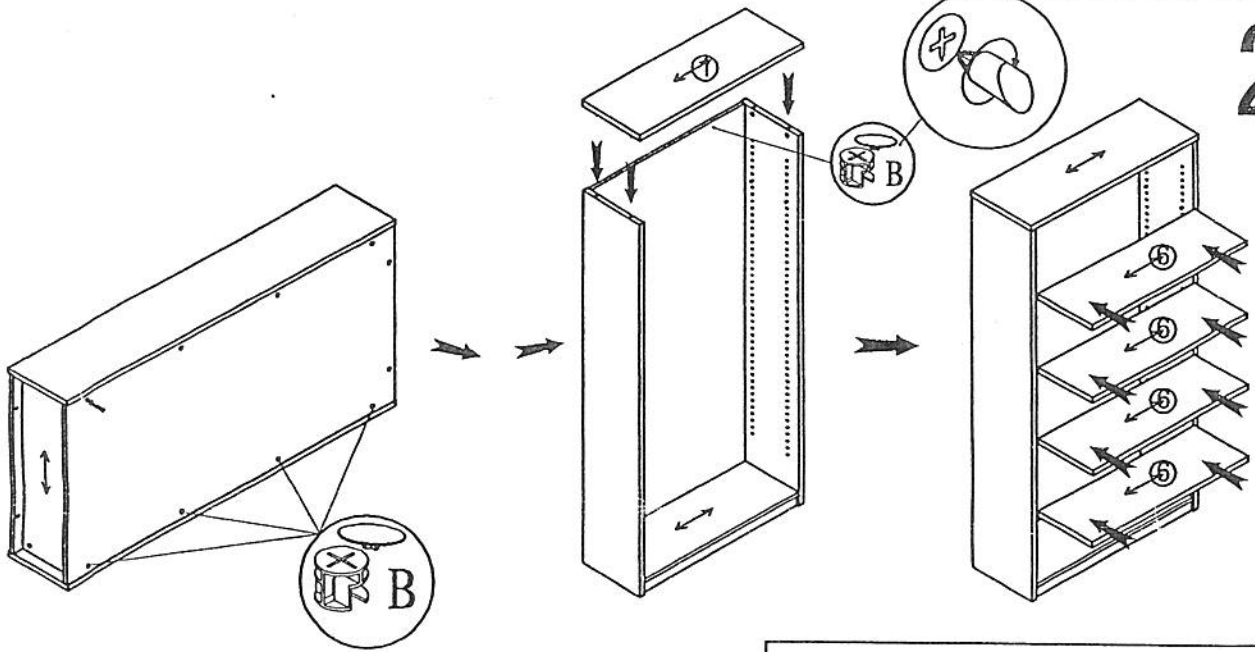
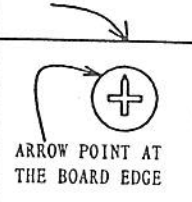
Series No.	Specification (W*D*H)	qty	Series No.	Specification (W*D*H)	qty	Series No.	Specification (W*D*H)	qty
1	900*320*25	1	5	844*291*18	1			
2-L	1775*314*25	1	6	843*291*25	4			
2-R	1775*314*25	1						
3	1775*844*18	1						
4	854*50*18	1						

OM-BC189-1  
Assembly Drawing



1

Connecting Parts



2

Connecting Parts

